



# Frame Mounted Centrifugal Pump

## FMC-CW-150



- Suction 1-1/2" - Discharge 1-1/4"
- High Performance: Pressure to 100 PSI
- Clockwise Rotation when Facing Shaft End
- Chemical Resistant Valox® or Optional Cast Iron Impeller
- Stainless Steel Shaft
- Standard Viton Carbon/Ceramic seal or Optional Severe Duty Silicon Carbide Mechanical Seal

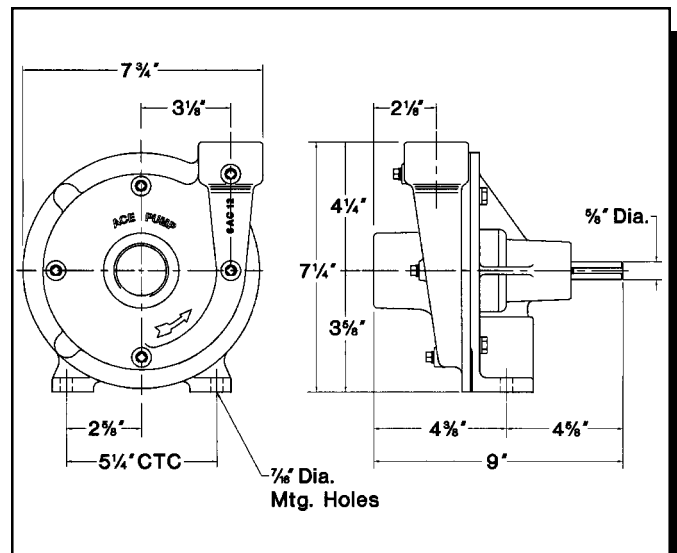
® Registered trademark of GE Plastics

### PERFORMANCE CHART

PUMP SHAFT RPM	20	30	40	60	80	100	MAX HP
	PSI	PSI	PSI	PSI	PSI	PSI	
	GPM	GPM	GPM	GPM	GPM	GPM	
3200	70	55	5	-	-	-	1.4
3800	75	70	60	10	-	-	1.8
4400	80	78	72	60	-	-	3.0
5200	80	80	78	75	70	30	4.7

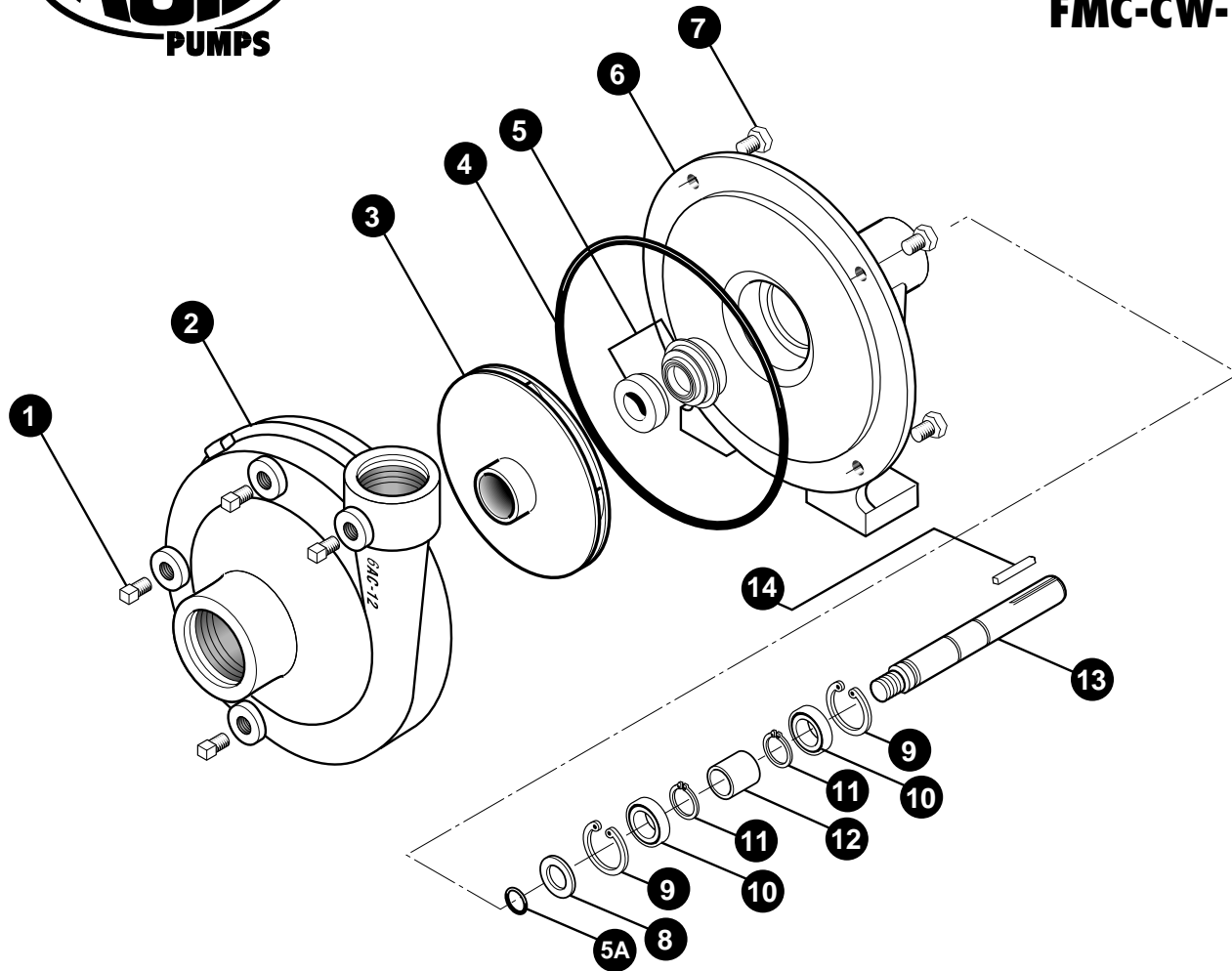
$$\frac{\text{Pump RPM}}{\text{Driveshaft RPM}} = \frac{\text{Drive Pulley Diameter}}{\text{Pump Pulley Diameter}}$$

### DIMENSIONS





# FMC-CW-150



REF. #	PART #	EDP #	DESCRIPTION	REQ.
1	41110	41110	Pipe plug, 1/8" NPT	4
1	41120	41120	Pipe plug, 1/8" NPT, stainless steel (optional)	4
2	6AC-12	30130	Volute, 1-1/2" x 1-1/4", clockwise rotation, cast iron	1
3	BAC-26-CW-150-P	41510	Impeller, 5-1/2" dia., right hand NF thread, thermoplastic	1
3	BAC-26-CW-150-CI	41515	Impeller, 5-1/2" dia., right hand NF thread, cast iron (optional)	1
*4	BAC-4A	40005	"O" Ring for BAC-12 volute seal, effective Apr. '96	1
*4	BAC-4	40010	Gasket, 4 hole	1
*5	BAC-7V	40151	Seal, Viton mechanical seal (includes 40160 "O" ring)	1
5	BAC-7SC	40152	Seal, Silicon carbide mechanical seal (includes 40160 "O" Ring)(optional)	1
5A	40160	40160	"O" Ring for BAC-6 shaft	1
6	BAC-14-F	40310	Mounting frame	1
7	40930	40930	Cap screw, 3/8" NC x 3/4" Hex head, stainless steel (optional)	4
7	40950	40950	Cap screw, 3/8"NC x 3/4" Hex head	4
8	BAC-54	41130	Slinger	1
9	BAC-33	40810	Snap ring, internal, BAC-14 mounting frame	2
10	BAC-37	40870	Bearing, BAC-6 driven shaft	2
11	BAC-32	40790	Snap ring, external, BAC-6 driven shaft	2
12	BAC-32-S	40795	Spacer for BAC-6 shaft	1
13	BAC-6-CW	41480	Shaft, 5/8" Driven, right hand NF thread (optional)	1
13	BAC-6-CW-SS	41500	Shaft, 5/8" Driven, right hand NF thread, stainless steel	1
14	BAC-50	41080	Key, 3/16" x 3/16" x 1 1/4"	1
#	RK-FMC	052700	Repair kit for FMC series	-

\* Items included in pump repair kit.

**Ace Pump Corporation • P.O. Box 13187 - 1650 Channel Avenue • Memphis, TN 38113**  
**www.AcePumps.com • Phone: 901-948-8514 • Fax: 901-774-6147**

ACE Form # FMC-CW-150