



# High Performance Gas Engine Drive Centrifugal Pump

## GE-800



- Suction 2" Discharge 1-1/2"
- Maximum Pressure 140 PSI and Maximum Flow 140 GPM
- Impeller attaches directly to 1"-14 NF threaded shaft on Honda or Briggs & Stratton engine 8 to 10 HP
- Stainless Steel Shaft Sleeve with double "O" ring leak protection
- Available Complete or Less Engine:
 

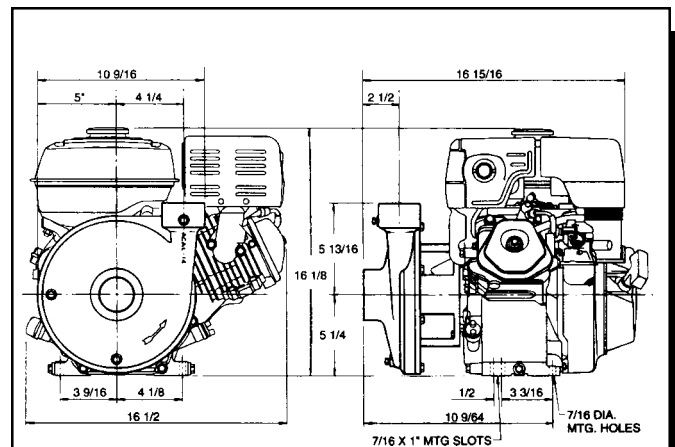
GE-800-HONDA	8HP Honda
GE-800-LE	Pump less engine

## PERFORMANCE CHART

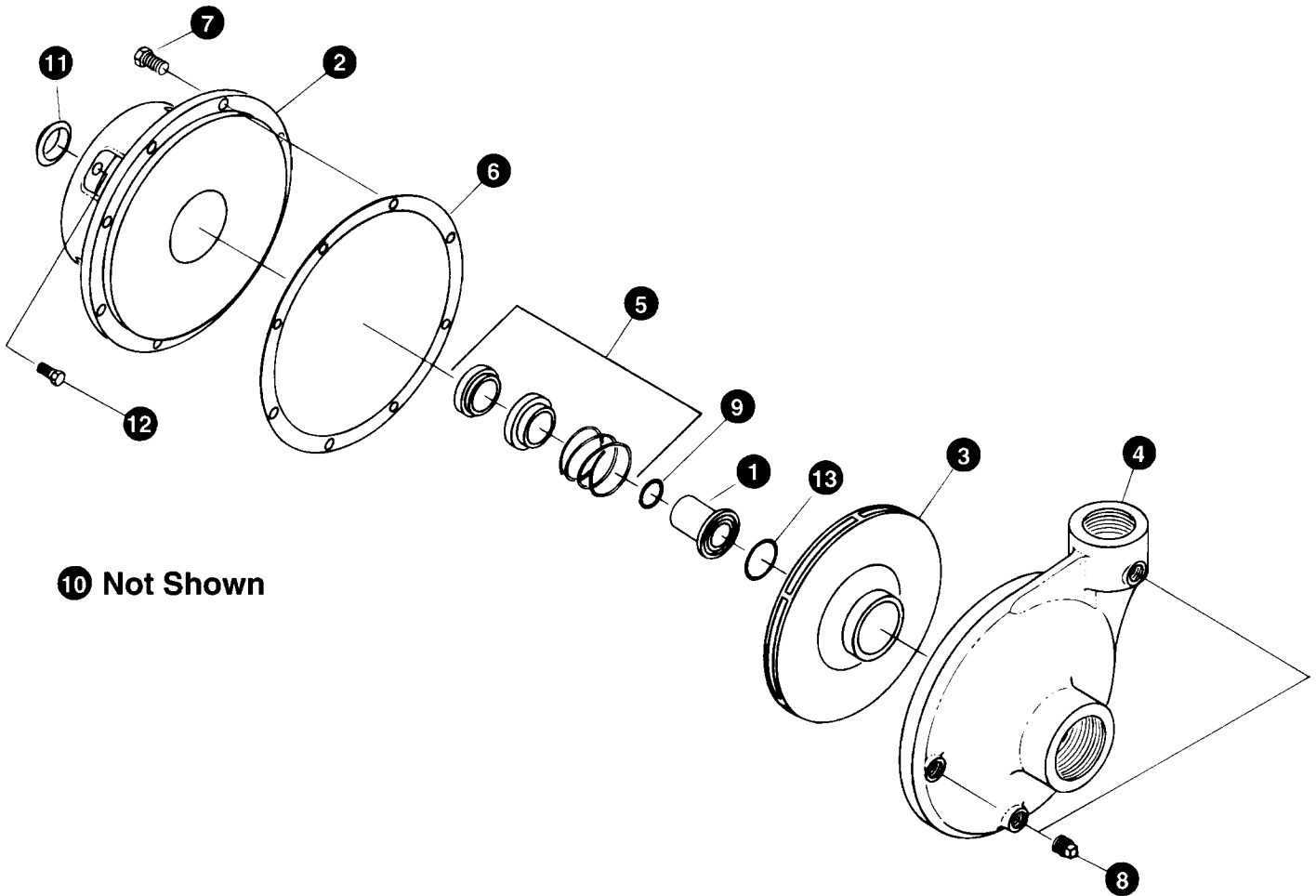
ENGINE SHAFT SPEED*	20	40	60	80	100	120	140
	PSI	PSI	PSI	PSI	PSI	PSI	PSI
	GPM	GPM	GPM	GPM	GPM	GPM	GPM
3800 RPM	140	120	103	80	60	40	5
3400 RPM	140	120	95	70	32	-	-
3000 RPM	140	110	70	15	-	-	-

\* Engine shaft speed at shut-off.

## DIMENSIONS



Note: Dimensions may vary depending on make and size of engine. Use only for Reference



**10 Not Shown**

REF. #	PART NUMBER	EDP #	DESCRIPTION	REQ.
1	ACAL-7-SS	30018	Shaft sleeve, stainless steel	1
2	ACAL-143	30045	Bracket	1
3	ACAL-26-TH	30047	Impeller	1
4	ACAL-14	30160	Volute, 2" x 1 1/2"	1
*5	30265	30265	Seal, 1.25" Type 21 mechanical seal, Viton	1
6	ACAL-4	30009	"O" Ring gasket for ACAL-14 volute with chamfer	1
*6	9000	31130	Gasket, 8 hole (obsolete 12/94)	1
7	BAC-39	40950	Cap screw, 3/8" NC x 3/4"	8
7	BAC-39-SS	40930	Cap screw, 3/8" NC x 3/4", stainless steel (optional)	8
8	41110	41110	1/8" NPT Pipe plug	3
8	41120	41120	1/8" NPT Pipe plug, stainless steel (optional)	3
*9	41860	41860	"O" Ring, engine shaft	1
10	42066	42066	Gas engine, 8 HP Honda	1
11	42221	42221	Slinger	1
12	SP-62	42255	5/16" NF x 1" Cap screw	4
12A	GE-44	42200	Lock washer, 5/16"(Not shown)	4
*13	72990	72990	"O" Ring, shaft sleeve seal	1
#	RK-GE-800/1600	61000	Repair kit for GE-800 and GE-1600	#

\* Items included in pump repair kit.