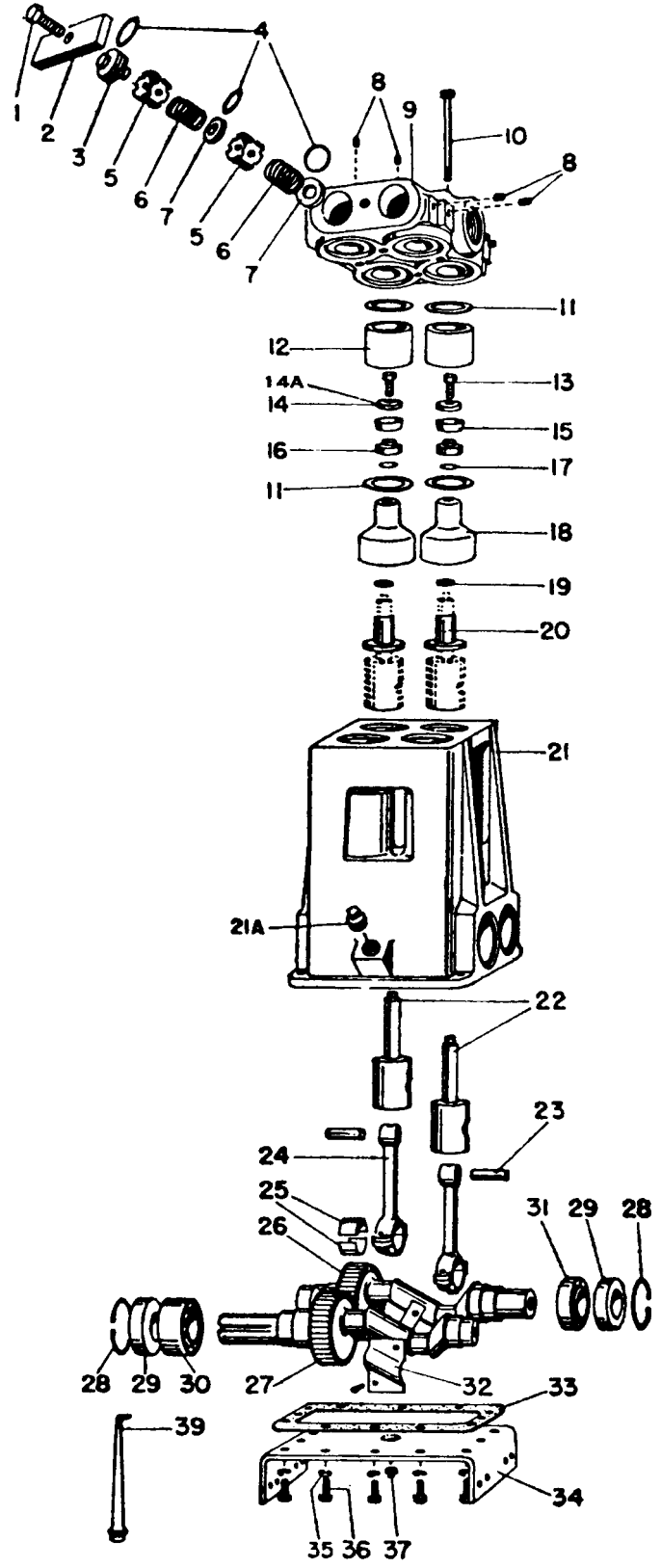


Model R2020 Pump Assembly



Ref. No.	Part No.	Description	Qty.
1	1100064	Cap Screw, 1/2"-13x1-1/2	2
2	1255887	Clamp, Valve Retaining	2
3	1219614	Cover, Valve	4
4	1177394	O-ring 1-13/16" OD	12
5	1219610	Cage, Valve	8
6	5253499	Disc and Spring Assy. Valve	8
7	1219615	Seat, Valve	8
8	1105666	Pipe Plug, 1/4" Galv.	7
9	1247208	Valve Chamber	1
	*1247235	Valve Chamber Assy.	1
10	1101262	Cap Screw, 3/8"-16 x 5	4
11	A91684	Gasket, Cylinder	8
12	1241364	Cylinder (Ceramic)	4
13	1284516	Cap Screw, 5/16"-18 x 1-1/2	4
14	5257986	Washer, Packing	4
15	5257807	Packing (cup)	4
16	1282557	Holder, packing	4
17	1101339	O-ring 3/4" OD	4
18	1279148	Umbrella	4
19	1269388	Washer, Umbrella	4
20	1218743	Sleeve (plastic)	4
21	1273545	Case, 2020 Pump	1
21a	1105060	Plug, Oil Fill (3/4" Pipe)	2
22	1216823	Crosshead	4
23	1219650	Wrist Pin	4
24	1263906	Conn. Rod Assy.	4
	1278439	Cap Screw, Conn. Rod (Self Lock)	8
25	1280908	Bearing Insert (Pair)	4
26	1273547	Crankshaft Assy, Driven	1
27	1273546	Crankshaft Assy, Drive	1
28	1118553	Snap ring	4
29	1101095	Seal, oil	4
30	1104508	Bearing (Double-Fafnir)	1
31	1104444	Bearing (Single-Fafnir)	3
32	1273549	Oil Slinger	2
	320502	HHCS 10-24 x 3/4	4
	5261980	Bolt Strip	2
33	1273559	Gasket, Pump Base	1
34	1280633	Mounting Base, Pump	1
35	1177455	Wave Lock Washer, 3/8"	12
36	1100068	Cap Screw, 3/8"-16 x 3/4"	12
37	1101305	Magnetic Drain Plug, 1/4" Pipe	1
39	**1250638	Puller, Valve and Seat (Pump Tool)	



*Valve Chamber Assy. consisting of items 1 through 9.
 **Not part of pump assembly.