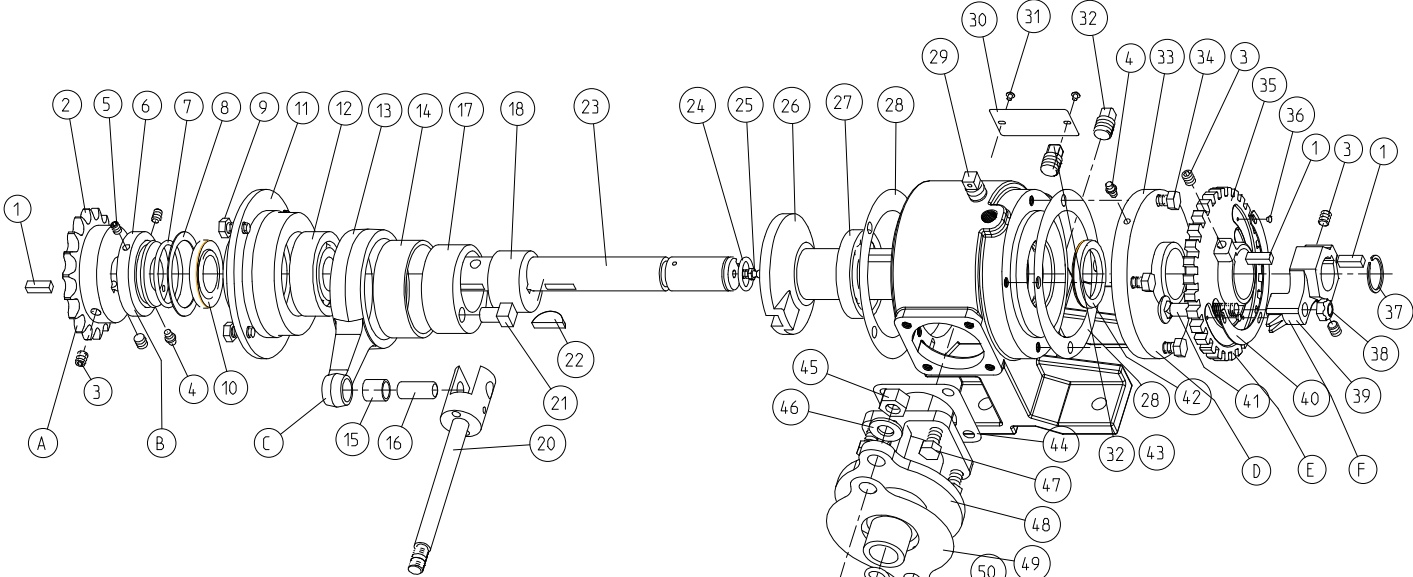
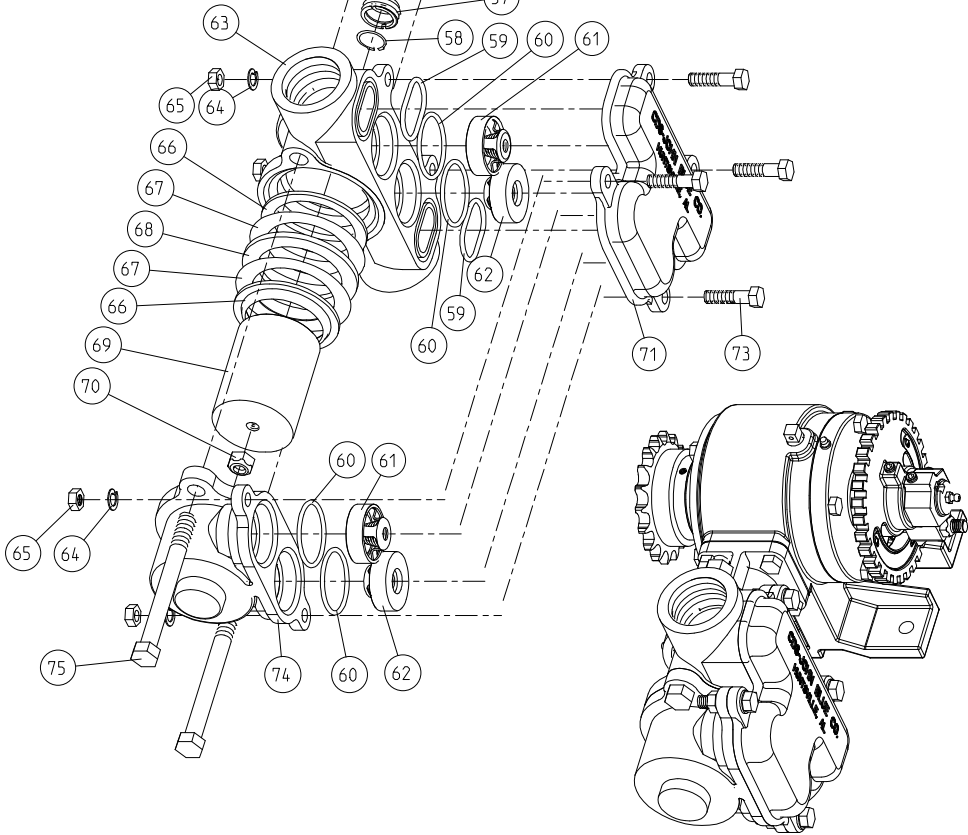


# NGP-6055 & 7055 SERIES



ITEM	DESCRIPTION	INCLUDES ITEM #'S
A	SPROCKET	2 3
B	SPACER	4 5 6 7 8
C	CONNECTING ROD	13 14 15
D	FLANGE COVER	4 33
E	SETTING HUB	3 35 36 40
F	SETTING POINTER	3 39
G	GASKET KIT	7 8 10 15 24 28 37 42 44 49 50 51 52 53 56 58 59 60 66 67 68
H	OPERATORS KIT	NOT SHOWN

- ⓐ — GASKET KIT
- ⓑ — OPERATORS KIT
  - MANUAL
  - WRENCH
  - SLIDE CHART
  - MOUNTING HARDWARE



# PARTS LISTING – NGP-6055 & NGP-7055

ITEM	PART DESCRIPTION	NGP-6055	NGP-7055
		PART #	PART #
1	* KEY	L-1020	L-1020
2	* SPROCKET RC50-18T	112661-01	112661-01
3	* 5/16 X 3/8 SET SCREW	90532	90532
4	* GREASE FITTING	H-28	H-28
5	* 1/4 X 3/8 SET SCREW	90530	90530
6	* SPROCKET SPACER	115625-01	115625-01
7	* O'RING	S-316	S-316
8	* THRUST WASHER	115626-01	115626-01
9	* 5/16 X 1 HEX BOLT	90637	90637
10	* OIL SEAL	115621-01	115621-01
11	COVER PLATE	115723	115623-01
12	* BEARING	L-3019	L-3019
13	CONNECTING ROD	L-1008-A	113630-01
14	JOURNAL BEARING	L-928	113629-01
15	ROD BUSHING	113588-01	113588-01
16	* ROD PIN	105895-01	105895-01
17	ECCENTRIC - OUTER	L-1013-A	113633-01
18	ECCENTRIC - INNER	L-1015	L-3017
19	TRANSFER SLEEVE	NOT USED	NOT USED
20	PISTON ROD ASSEMBLY	115712-91	105900-91
21	* ECCENTRIC PIN	L-3004	L-3004
22	* WOODRUFF KEY	A-4333	A-4333
23	CRANKSHAFT	115614-01	115614-01
24	* O'RING	L-1022	L-1022
25	* GREASE ZERK	115647-01	115647-01
26	SETTING SLEEVE	115718-01	115618-01
27	* BEARING	L-1007-A	L-1007-A
28	GASKET	L-1006	L-3002
29	* VENT PLUG	S-350	S-350
30	* NAME PLATE	111958-01	111958-01
31	* DRIVE SCREW	A-3557	A-3557
32	* OIL PLUG	C-431-B	C-431-B
33	* FLANGE COVER	115724-01	115724-01
34	* 5/16 X 1 HEX BOLT	90637	90637
35	* SETTING HUB	115627-01	115627-01
36	* SETTING SCALE SCREW	A-368	A-368
37	* SNAP RING	115791-01	115791-01
38	* 3/8 SELF-LOCKING NUT	A-3097	A-3097
39	* SETTING POINTER	115628-01	115628-01
40	* SETTING SCALE	115645-01	115645-01
41	* 3/8 X 2 CARRIAGE BOLT	115646-01	115646-01
42	* OIL SEAL	115622-01	115622-01
43	CRANKCASE	115720-01	115620-01
* UNIVERSAL ACROSS NGP STANDARD PUMP LINE			

ITEM	PART DESCRIPTION	NGP-6055	NGP-7055
		PART #	PART #
44	GASKET - CROSSHEAD	115711-01	115611-01
45	* 1/2 HEX NUT	92029	92029
46	* 1/2 LOCK WASHER	93004	93004
47	HEX BOLT	90637	90860
48	CROSSHEAD GUIDE	115700-01	115600-01
49	* GASKET - STUFFING BOX	115610-01	115610-01
50	* O'RING	111943-01	111943-01
51	* PACKING 'V' SET	L-1109	L-1109
52	* PACKING WASHER	L-1041	L-1041
53	* PACKING SPRING	L-1063	L-1063
54	* GREASE ZERK	H-30	H-30
55	STUFFING BOX	115790-01	115690-01
56	* GASKET - INBOARD CYL.	115710-01	115710-01
57	* STUFFING BOX INSERT	L-1031-2	L-1031-2
58	* PACKING - SNAP RING	L-1042	L-1042
59	O'RING	S-316	115604-01
60	O'RING	L-3031	A-2848
61	DISCHARGE VALVE	115707-91	115607-91
62	SUCTION VALVE	115706-91	115606-91
63	INBOARD CYLINDER	115701-02	115601-02
64	* 3/8 LOCK WASHER	93024	93024
65	* 3/8 HEX NUT	92024	92024
66	* PLUNGER - PACKING	L-1045-V	L-1045-V
67	* PLUNGER - GASKET	L-1098	L-1098
68	* PLUNGER - WASHER	L-1044-A	L-1044-A
69	* PLUNGER	103290-91	112816-91
70	* PLUNGER - LOCKING NUT	L-1047	L-1047
71	VALVE COVER	115703-01	115603-01
72	1/2 FLAT WASHER	NOT USED	NOT USED
73	* 3/8 X 1-1/2 HEX BOLT	90911	90911
74	OUTBOARD CYLINDER	115703-01	115602-01
75	1/2 HEX BOLT	90704	90705
76	GASKET - MANIFOLD	NOT USED	NOT USED
77	MANIFOLD - COMMON	NOT USED	NOT USED
78	1/2 HEX BOLT	NOT USED	NOT USED
A	* SPROCKET ASSEMBLY	106532-01	106532-01
B	* SPROCKET SPACER ASSY.	115624-91	115624-91
C	CONNECTING ROD ASSY.	L-1008-A	113645-91
D	* FLANGE COVER ASSY.	115725-91	115725-91
E	* SETTING HUB ASSY.	115629-91	115629-91
F	* SETTING POINTER ASSY.	115630-91	115630-91
G	GASKET KIT	115788	115688
H	* OPERATORS KIT	115787	115787
* UNIVERSAL ACROSS NGP STANDARD PUMP LINE			