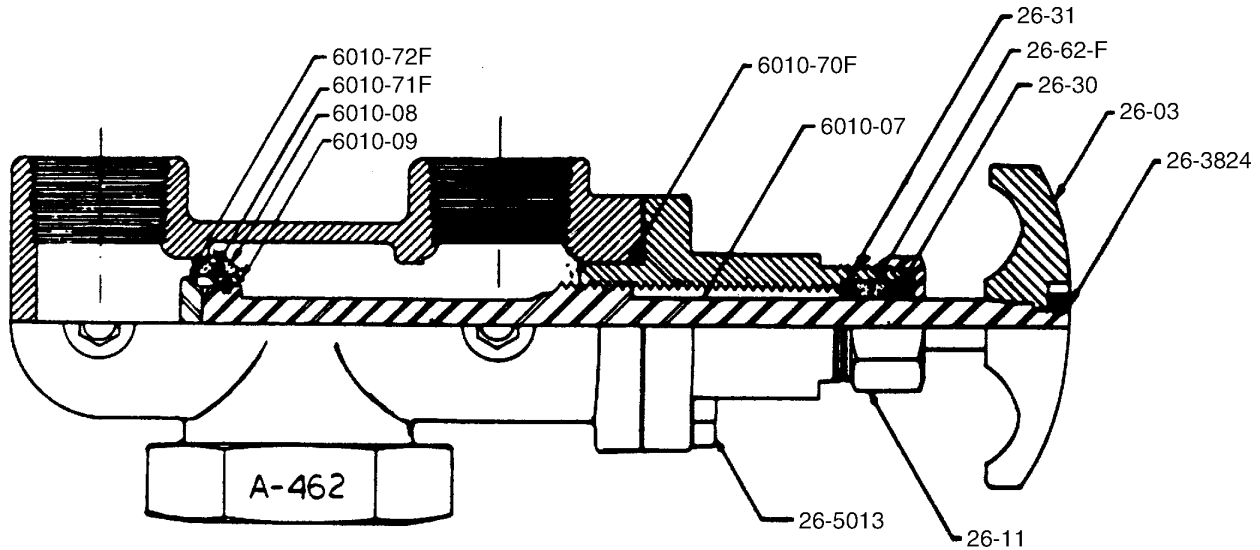


Continental A462 Manifold



PART NUMBER	DESCRIPTION
6010-07	Stem
6010-08	Nylon Seat
6010-09	Seat Retainer Poppet
6010-70-F	Bonnet Gasket
6010-71-F	Seat Seal Gasket
6010-72	Seat Retainer Lock Ring
6010-X	2" x Close E.H. Nipple.-
26-03	Hand Wheel
26-11	Packing Nut
26-30	Packing Follower
26-31	Packing Retainer Washer
26-62-F	Teflon V-ring packing (set)
26-72-F	Follower Wiper O-ring (internal)
26-73-F	Follower Wiper O-ring (external)
26-94-F	Hand Wheel Lock Washer
26-3824	Hand Wheel Lock Nut
26-5013	Bonnet Bolt
A-521-1	Acme Nut: 1-3/4" female
A-521-2	Stem 3/4" MPT
A-521-3	Retainer Ring
A-521-B-2	Stem 1" MPT
A-522-2	Stem 3/4" FPT
A-523-2	Stem 1/2" MPT
A-526-2	Stem 3/4" Serrated Hose
A-526-A-2	Stem 1" Serrated Hose
A-526-B-2	Stem 1/2" Serrated Hose
A-526-C-1	Acme Nut 1-1/4" Serrated Hose
A-526-C-2	Stem 1-1/4" Serrated Hose