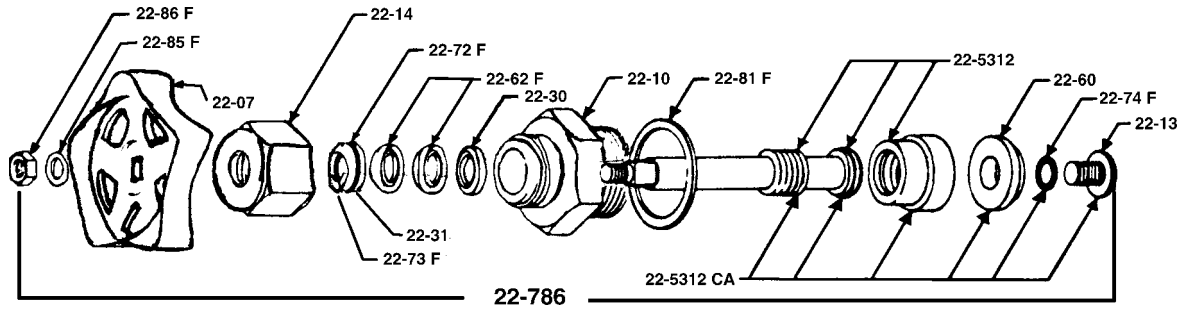


Continental NH3 Valve Repairs

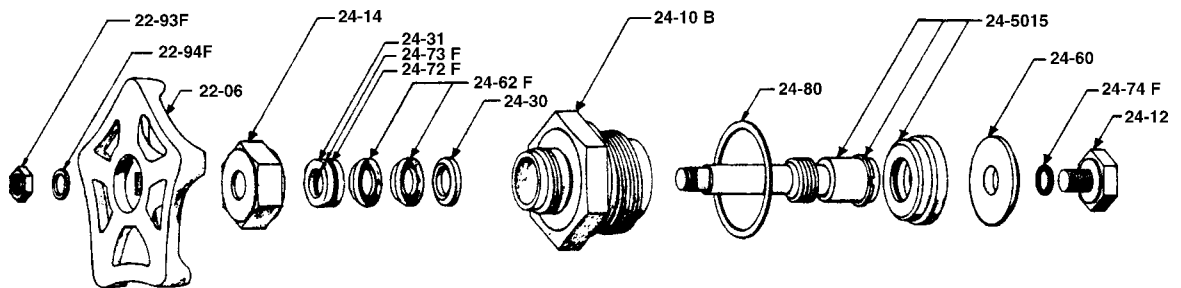
For:
1/2", 3/4" & 1"
Globe & Angle
Valves
Series A1200 &
A1300



Part No.	Description
22-06	Hand Wheel (Valves prior to 1972)
22-07	Hand Wheel (Valves after 1972)
22-10	Bonnet
22-13	Seat Retainer Screw
22-14	Packing Nut
22-30	Packing Retainer Washer
22-31	Packing Follower
* 22-3173	Packing Follower with Wiper Rings Installed
22-5312	Stem & Swivel Poppet Assembly
22-5312CA	Stem Swivel Poppet & Seat Assy
* 22-60	Nylon Seat
* 22-62 F	Teflon "V" Ring Packing (2)
22-63 F	Plastic Dust Cap
22-63FC	Plastic Dust Cap w/Chain
* 22-71 F	Cap Gasket (Hycar)

Part No.	Description
22-71 NS	Cap Gasket (Teflon)
22-72 F	Follower Wiper "O" Ring (External)
22-73 F	Follower Wiper "O" Ring (Internal)
* 22-74 F	Seat Seal "O" Ring
* 22-81 F	Bonnet Gasket
22-85 F	Hand Wheel Lock Washer
22-86 F	Hand Wheel Lock Nut
22-93 F	Hand Wheel Lock Nut on (Valves prior to 1972)
22-94 F	Hand Wheel Lock Washer on (Valves prior to 1972)
22-786	Complete Bonnet, Stem, Seat Assembly w/Hand
22-786 BP	Same as above with By-Pass Feature (Hydrostatic)
A2212RK	Repair Kit - Items Marked *

For:
1-1/4" & 1-1/2"
Globe and Angle
Valves-
Numbers A2425,
A2450, A2525 &
A2550

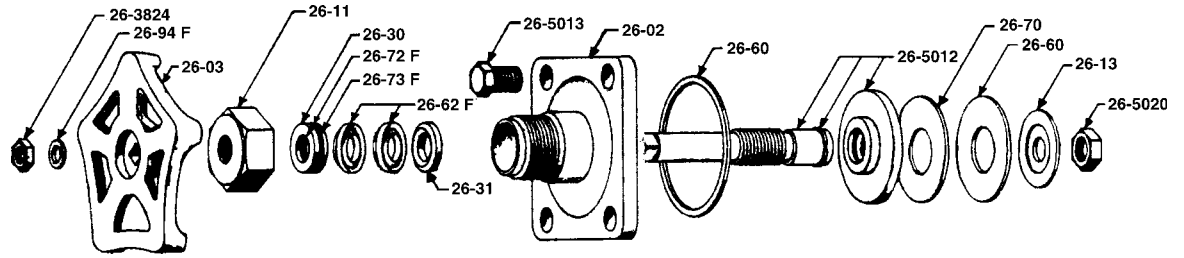


Part No.	Description
22-06	Hand Wheel
24-12	Seat Retainer Screw
24-14	Packing Nut
* 24-30	Packing Retainer Washer
* 24-31	Packing Follower
* 24-60	Nylon Seat
* 24-62	Teflon "V" Ring Packing (2)
* 24-72F	Follower Wiper "O" Ring (External)
* 24-73	Follower Wiper "O" Ring (Internal)

Part No.	Description
* 24-74F	Seat Seal "O" Ring
* 24-80	Bonnet Gasket
22-93F	Hand Wheel Lock Nut
22-94F	Hand Wheel Lock Washer
24-100	Bonnet
24-10115	Stem & Swivel Poppet Assembly
24-102	Teflon Split Scraper Ring
A24RK	Repair Kit - Items marked *

Continental NH3 Valve Repairs

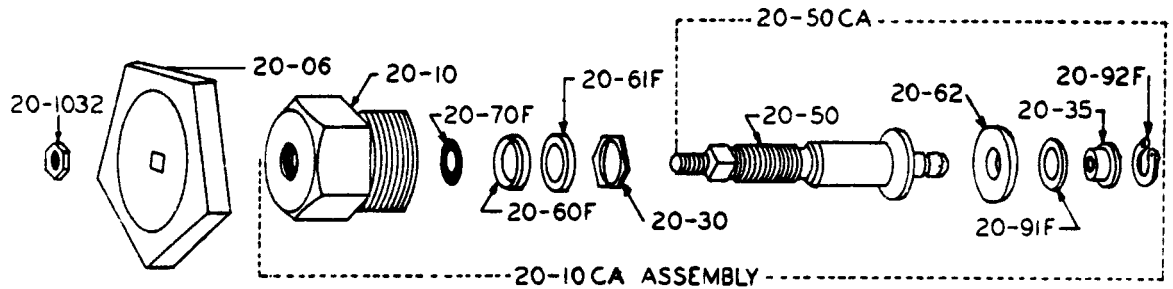
**For:
2" Globe &
Angle Valves-
Numbers A2600
& A2700**



Part No.	Description
26-03	Hand Wheel
26-11	Packing Nut
26-13	Seat Retainer Washer
*26-30	Packing Follower
*26-31	Packing Retainer Washer
26-5412	Stem & Swivel Poppet Assy.
*26-60	Nylon Seat
*26-62F	Teflon "V" Ring Packing (set)
*26-64F	Teflon Scraper Ring

Part No.	Description
*26-70	Seat Cushion (Hycar)
*26-72F	Follower Wiper "O" Ring (Internal)
*26-73F	Follower Wiper "O" Ring (External)
*26-80	Bonnet Gasket
26-3824	Hand Wheel Lock Nut
26-5013	Bonnet Bolt
26-5020	Seat Retainer Lock Nut
26-94F	Hand Wheel Lock Washer
A26RK	Repair Kit - Items marked *

**For:
Valve Numbers
A110, A122N,
A123 & A124**



Part No.	Description
20-06	Hand Wheel
20-10	Bonnet
20-10 CA	Bonnet & Stem Assembly
20-11	Upper Body - 1/2" FPT
20-11 A	Upper Body - 3/4" FPT
20-12	Upper Body - 1/2" x 1/4" FPT
20-12 A	Upper Body - 3/4" x 1/4" FPT
20-13	Lower Body - 1/2" Serrated Hose Barb
20-14	Lower Body - 3/4" MPT x 3/8" FPT
20-15 CA	Lower Body w/Excess Flow Check Installed

Part No.	Description
*20-30	Packing Retainer
*20-35	Seat Retainer Bushing
20-50	Stem
20-50 CA	Stem & Seat Assembly
*20-60 F	Teflon Packing - Female Adaptor
*20-61 F	Teflon Packing - Male Adaptor
*20-62	Nylon Seat
*20-70 F	"O" Ring Wiper
*20-91 F	Seat Retainer Washer
*20-92 F	Seat Retainer Lock Ring
20-1032	Hand Wheel Lock Nut
A122RK	Repair Kit - Items Marked *