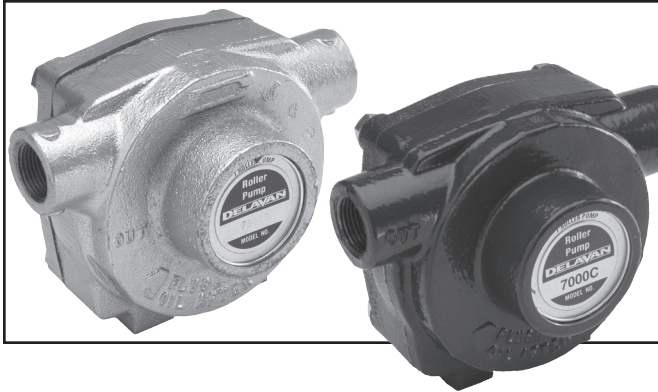


Roller Pump Repair and Parts

Roller Pump 7000 Series

7-Roller Side Port Roller Pumps



Pump Disassembly

Note: The numbers in parentheses used in the following text refer to the exploded view and parts list provided on the back side.

1. With a screwdriver, remove snap ring (1). Lift out nameplate (2).
2. With a 9/16-inch wrench, unscrew capscrews (3).
3. With cover plate down, cradle pump on "IN" and "OUT" ports on fixture under an arbor press. A cradle can be constructed of 2" x 4" lumber. Press the shaft and rotor assembly (6) down through the pump body, bearing the seal. The shaft and rotor assembly will remain in the end plate.
4. Lift off seal ring (4). Slide out rollers (5).
5. Check body for wear. File off any burrs that appear on rotor.
6. Make sure rollers (5) move freely in rotor slots. Replace rollers if out-of-round, swollen or badly worn.
7. If further disassembly is required:
 - a. Press out shaft and rotor assembly (6) from end plate (7) with an arbor press while supporting the end plate on a cradle. Remove snap ring (1).
 - b. To remove bearing, use a small piece of brass rod and gently tap with hammer on the inner edges of the bearing. Drive the seal out with a screwdriver and hammer. Discard seal.

Assembly

1. Contents of the repair kit includes rollers, seals and seal ring (see parts list on back for details).
2. Position a new seal in seal housing with folded edge down. Press seal down on outer edge until it "bottoms."
3. Position bearing (8) in bearing housing and press downward until it "bottoms." Apply pressure to outer bearing race.
4. File off any burrs on the rotor faces and roller slots that may have been caused by disassembly and handling.
5. Apply a light oil to shaft, end plate surface, and inside pump body.
6. Press shaft and rotor into body, by easing the rotor shaft through the seal; then press shaft with an arbor press while supporting body bearing inner race.
7. Insert rollers (5), one in each slot.
8. Place seal ring (4) in groove.
9. Position end plate (7) for pressing down on pump body (10), easing the shaft carefully through the seal. Carefully line up matching holes of pump body and end plate.
10. Press pump together in an arbor press (Fig. 4), making sure the pressing force is applied to the inner race of the ball bearing. A sleeve with at least a 1 inch bore (that does not exceed 2 inches outside diameter) should be used.
11. Secure end plate with four capscrews (3).
12. After tightening capscrews, turn the shaft to make sure rotor is not binding in pump. (It may be necessary to hold shaft in vise when rotating body to check for binding.)
13. Tap shaft with a brass hammer. If this fails to center rotor, tap the other end of the shaft lightly. The rotor should turn freely.

Roller Pump 7000 Series

RP 7000 Repair

2.01.05

7-Roller Side Port Roller Pumps

Models: 7000C Cast Iron (blue finish)
7000N Ni-Resist (brown finish)
7000D Diamond™ Series (silver finish)

Universal Repair Kit

70-7700 RK

7-Roller Pump Repair Kit for 7000 Series Pumps

Part #	Description	Qty/Kit
19341	Roller, Ultra, 11/16" diameter	7
47927	Lip Seal, Viton	2
31350-155	Universal Seal Ring	1
24829	Seal Ring	1

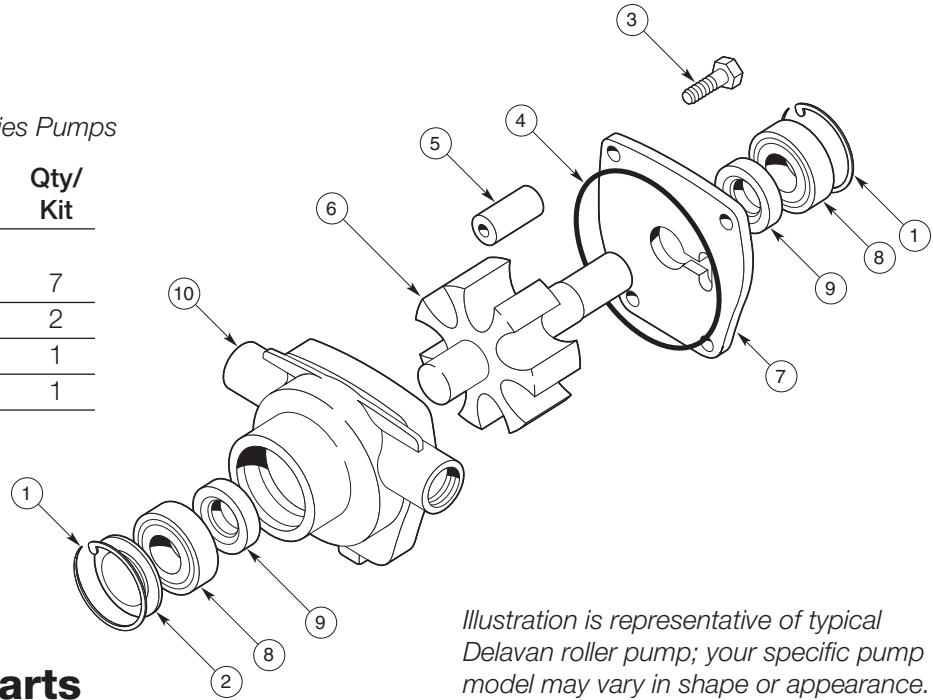


Illustration is representative of typical Delavan roller pump; your specific pump model may vary in shape or appearance.

7000 Series Pump Parts

Ref #	Qty/ Pump	Part #	Description
1	2	15334	Snap Ring
2	1	46209-3	Nameplate 7000C
		46209-4	Nameplate 7000N
		46209-7	Nameplate 7000D
3	4	15341	Cap Screw
4	1	24829	Seal Ring
5	7	19341	Ultra Rollers 11/16"
		19342	Polypropylene Rollers 11/16"
6	1	32702	Shaft & Rotor (Cast Iron/Ni-Resist)
		32705	Shaft & Rotor (Diamond)
7	1	34701	End Plate (Cast Iron)
		31666-2	End Plate (Ni-Resist)
		31666-5	End Plate (Diamond)
8	2	16228	Bearing (STD#6205ZZ)
9	2	47927	Lip Seal, Viton
10	1	33701	Pump Body (Cast Iron)
		24842-2	Pump Body (Ni-Resist)
		24842-5	Pump Body (Diamond)

Old Style Delavan Roller Pump Repair Kit 25228

For 77-3110, 77-3111, 77-4110 and 77-4111 old style Delavan Pumps

Part #	Description	Qty/Kit
22059	Roller, Ultra, 3/4" diameter	7
47927	Lip Seal, Viton	2
24829	Seal Ring	1