



DOSATRON®

WATER POWERED DOSING TECHNOLOGY

SCHEMATICS

Dosatron Liquid Dispenser **Model # D25RE1500 – 11 GPM**

1:1500 – 1:500

4.3 – 85 PSI

$\frac{3}{4}$ " NPT connection

Suggested Installation:

200 mesh/80 micron water filter prior to unit

One-way check valve downstream from unit for water hammer protection

Suggested Maintenance Interval:

Replace injection seals every 12 months

Replace Maintenance Kit components every 3 to 4 years

(Kit references available on Page 1)

DOSATRON SALES & SERVICE - NORTH & CENTRAL AMERICA

Dosatron International, Inc.

Phone: 727-443-5404 Service: (800) 523-8499

Fax: 727-447-0591

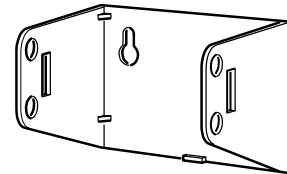
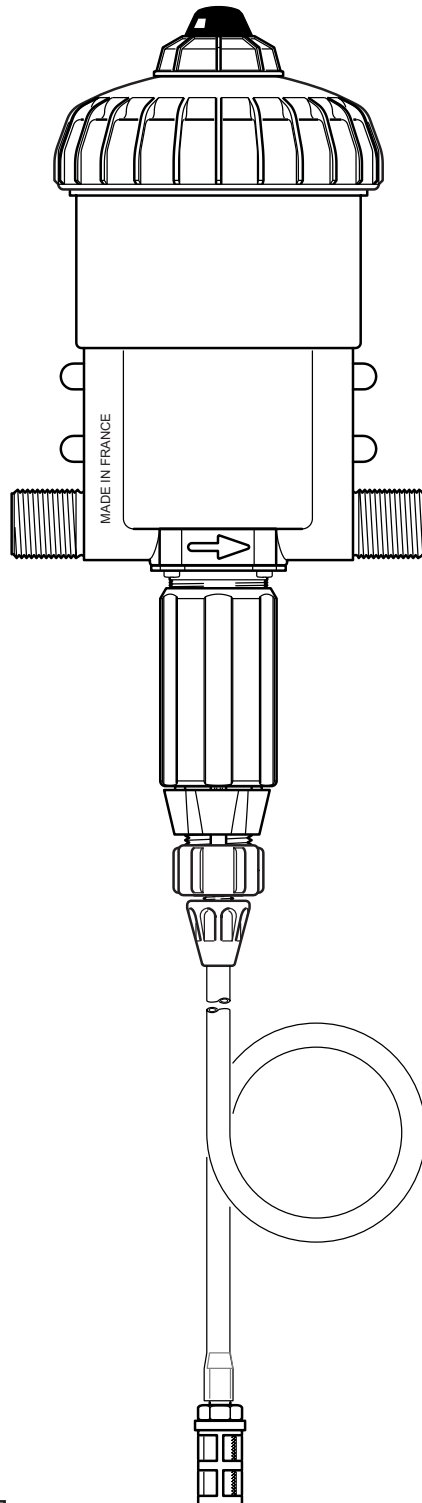
www.dosatronUSA.com

D25RE1500

11/03

11 GPM - 1:1500 - 1:500

4.3 - 85 psi



MKD25RE1500 Maintenance Kit

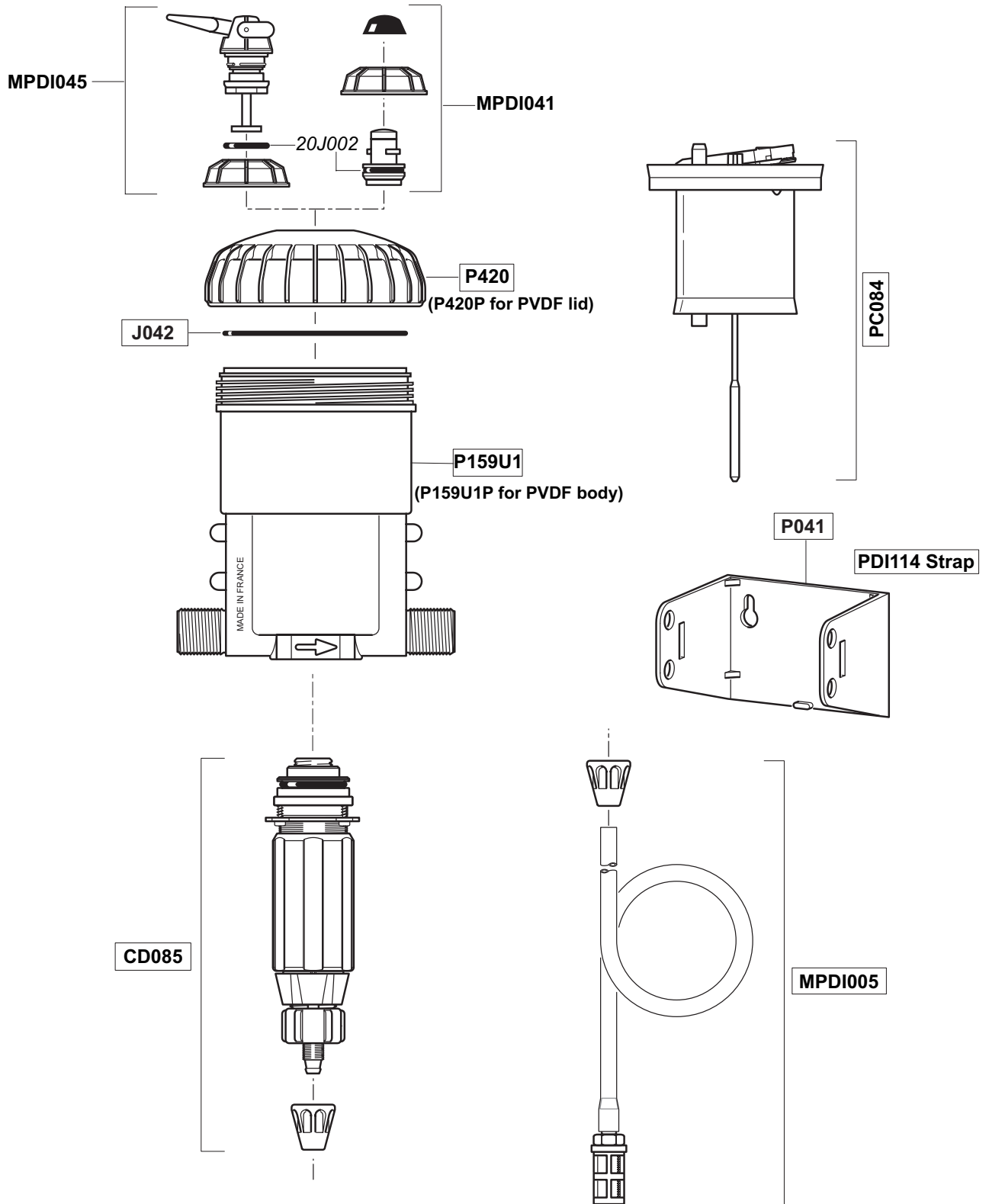
ED251500 Injection Seal Kit

D25RE1500

11/03

11 GPM - 1:1500 - 1:500

4.3 - 85 psi

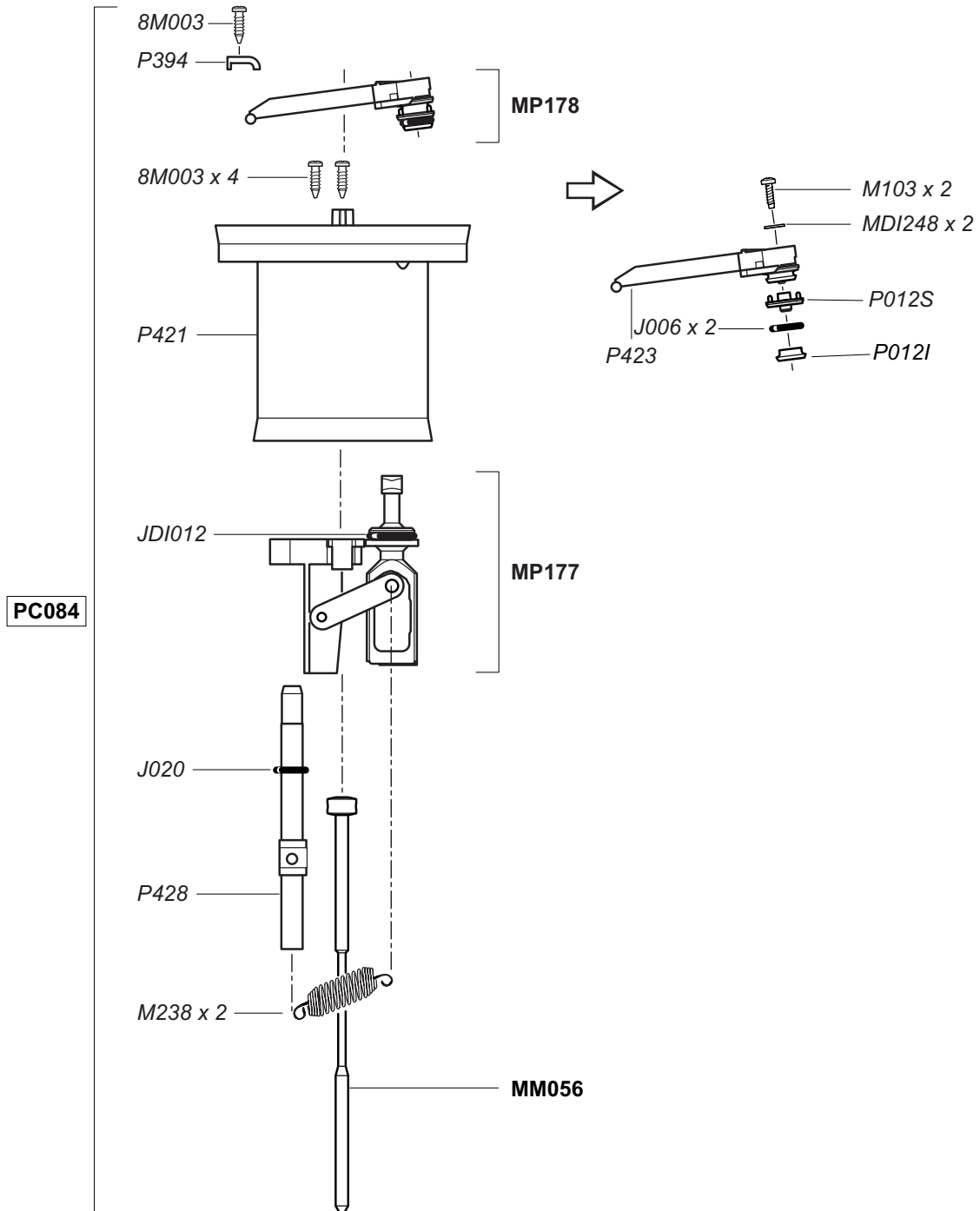


D25RE1500

11/03

11 GPM - 1:1500 - 1:500

4.3 - 85 psi



D25RE1500
11/03

11 GPM - 1:1500 - 1:500
4.3 - 85 psi

