



**DOSATRON®**

*WATER POWERED DOSING TECHNOLOGY*

---

# SCHEMATICS

## Dosatron Liquid Dispenser **Model # D45RE15 – 20 GPM**

1:500 – 1:66

7 – 70 PSI

### **Suggested Installation:**

200 mesh/80 micron water filter prior to unit

One-way check valve downstream from unit for water hammer protection

### **Suggested Maintenance Interval:**

Replace injection seals every 12 months

Replace Maintenance Kit components every 3 to 4 years

(Kit references available on Page 1)

---

### **DOSATRON SALES & SERVICE - NORTH & CENTRAL AMERICA**

Dosatron International, Inc.

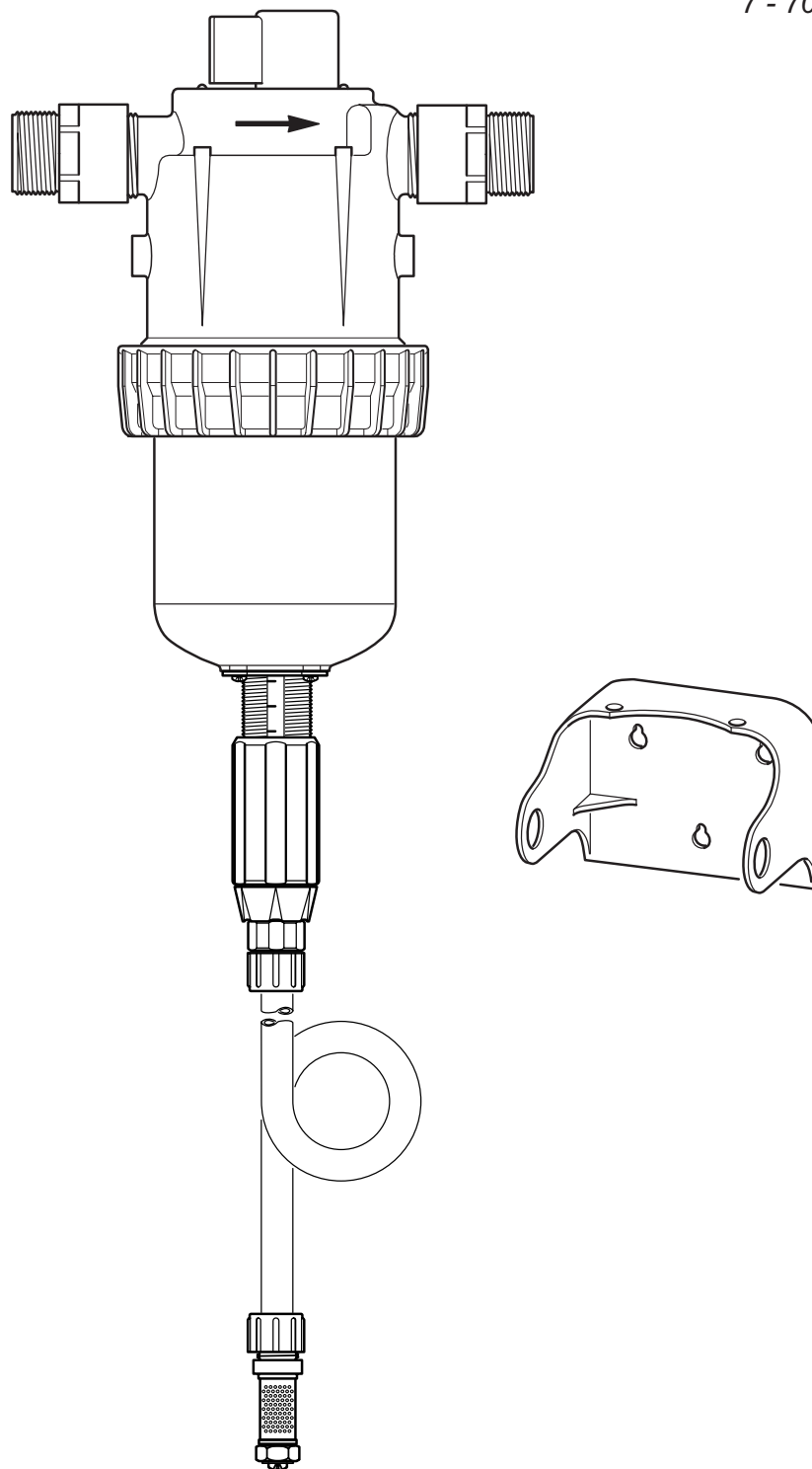
Phone: 727-443-5404 Service: (800) 523-8499

Fax: 727-447-0591

[www.dosatronUSA.com](http://www.dosatronUSA.com)

**D45RE1.5**  
11/03

20 GPM - 1:500 - 1:67  
7 - 70 psi

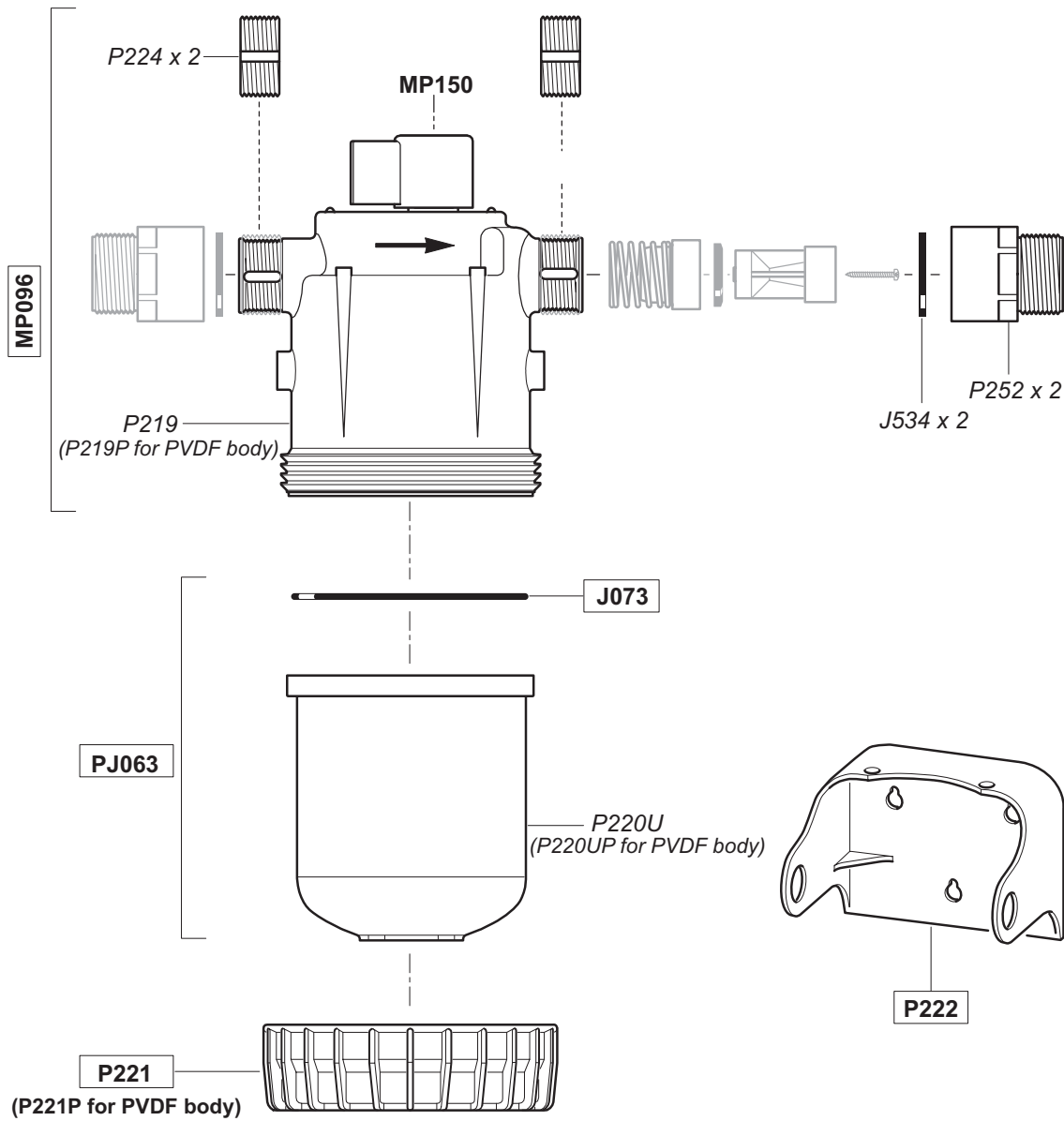


**MKD45RE15 Maintenance Kit**

**ED026 Injection Seal Kit**

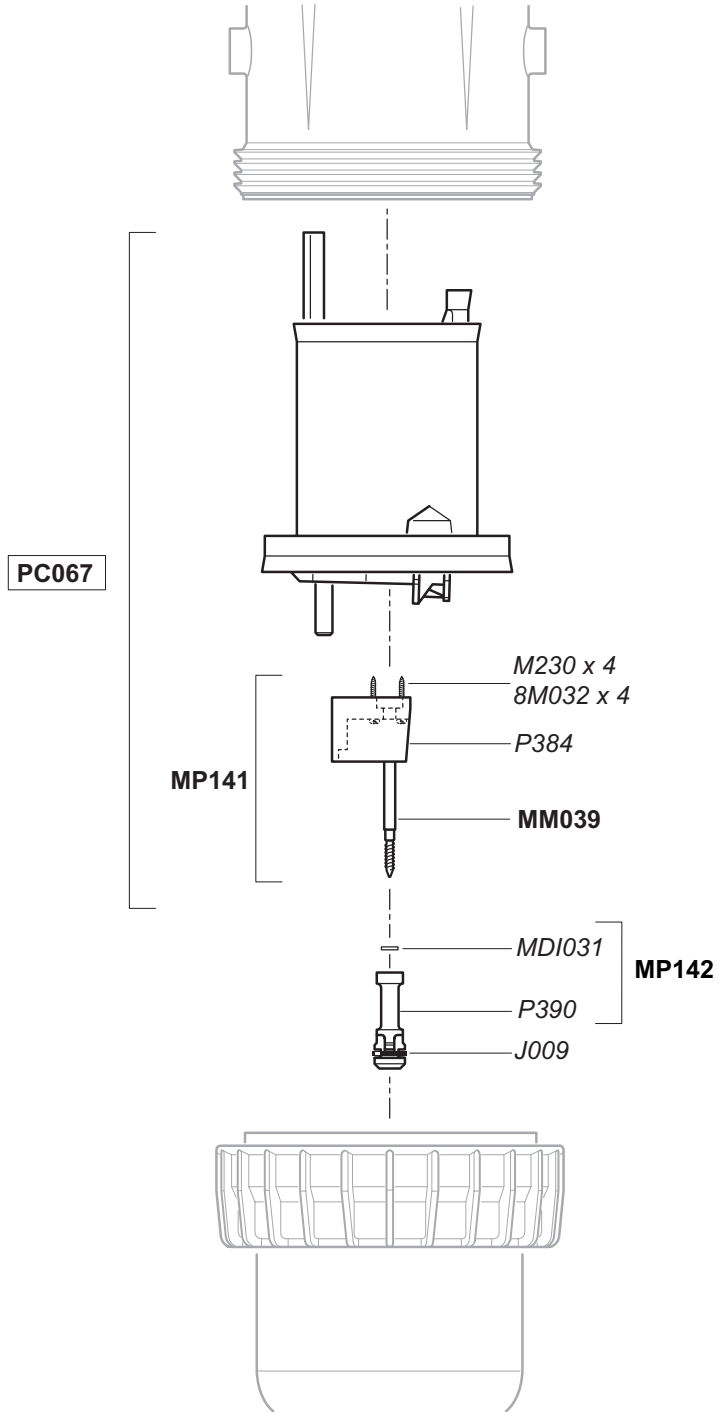
**D45RE1.5**  
11/03

20 GPM - 1:500 - 1:67  
7 - 70 psi



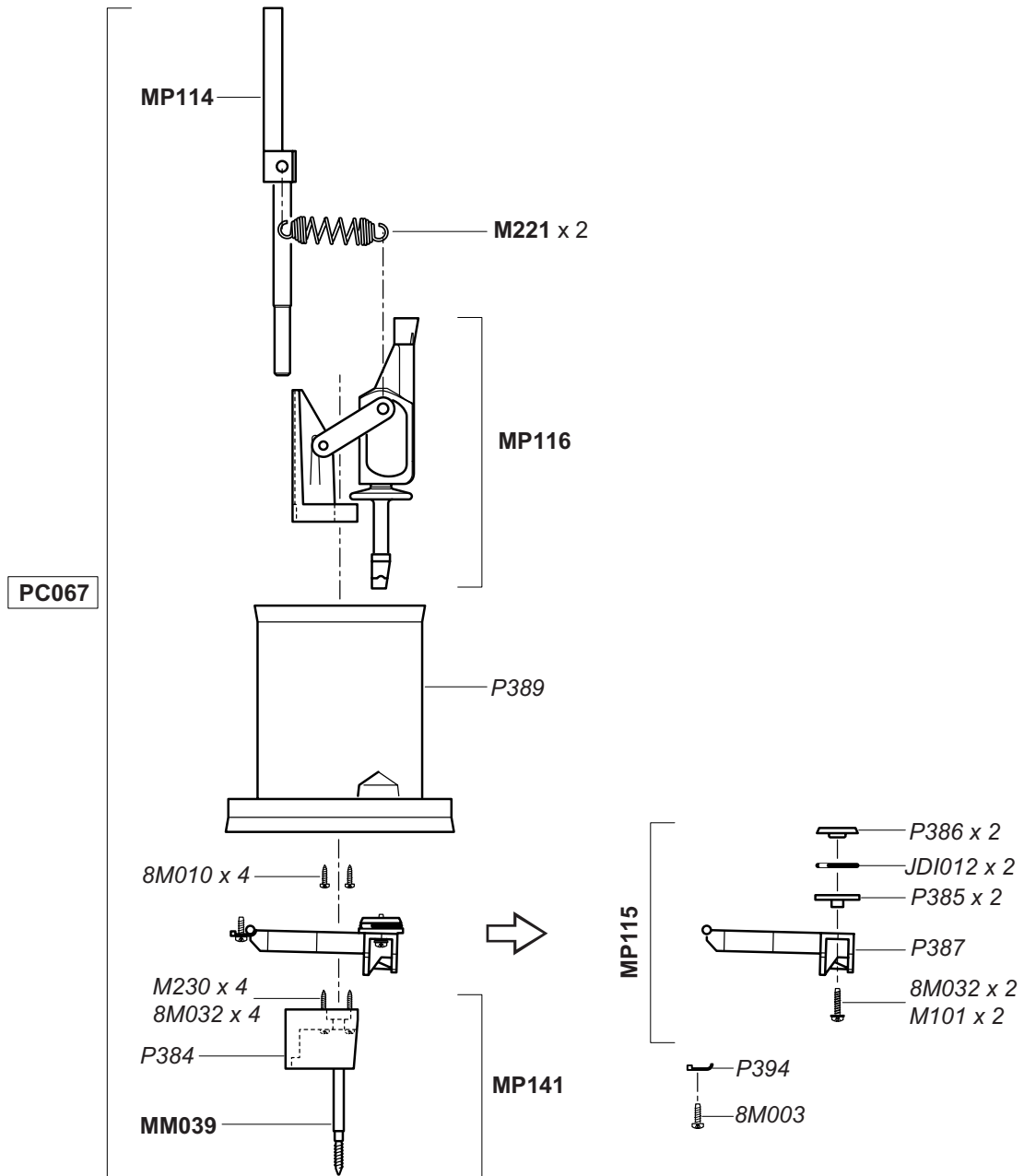
**D45RE1.5**  
11/03

20 GPM - 1:500 - 1:67  
7 - 70 psi



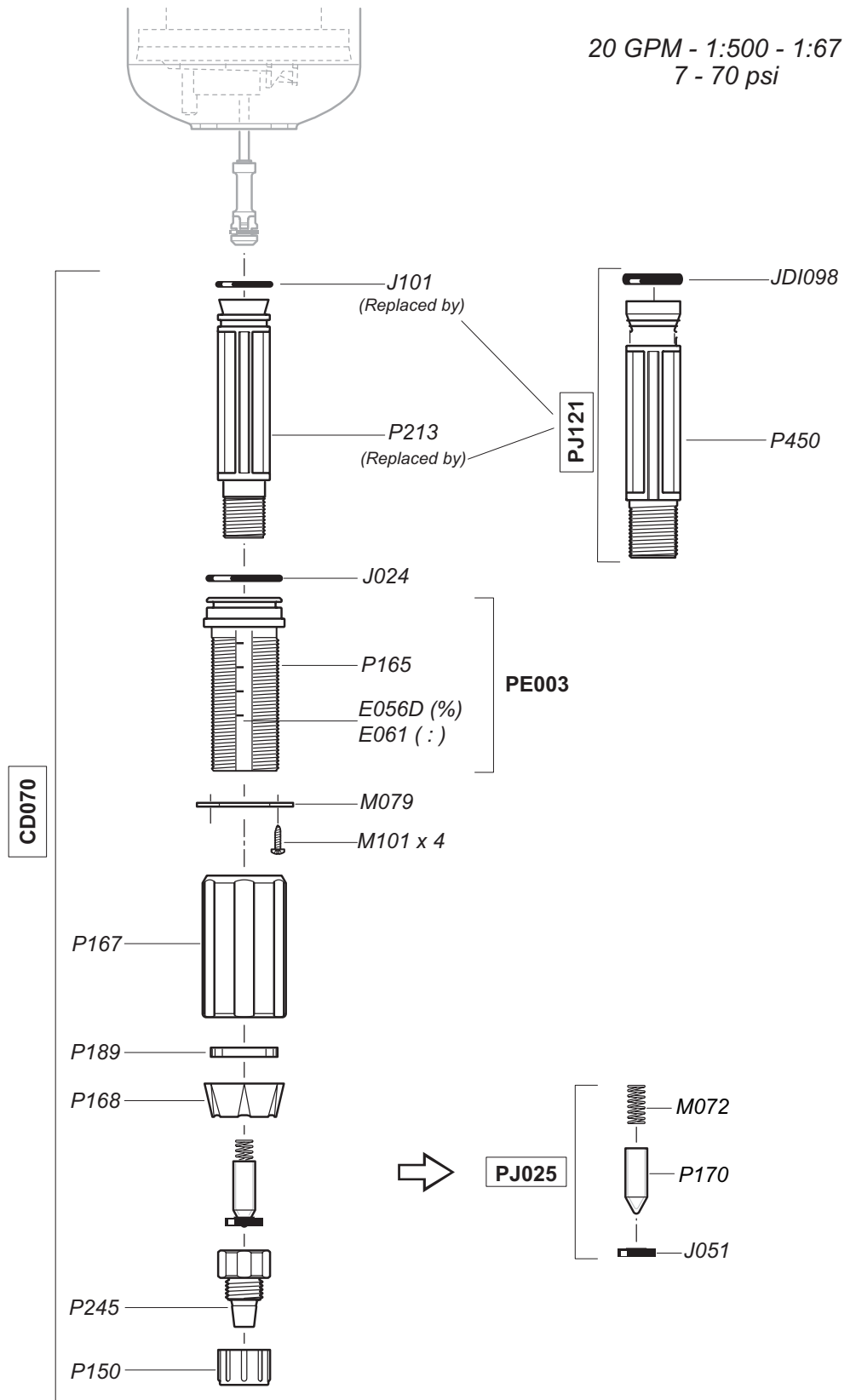
**D45RE1.5**  
11/03

20 GPM - 1:500 - 1:67  
7 - 70 psi



**D45RE1.5**  
11/03

20 GPM - 1:500 - 1:67  
7 - 70 psi



**D45RE1.5**  
11/03

20 GPM - 1:500 - 1:67  
7 - 70 psi

