



DOSATRON®

WATER POWERED DOSING TECHNOLOGY

SCHEMATICS

Dosatron Liquid Dispenser **Model # DI210 – 11 GPM**

1:50 – 1:10

7 – 57 PSI

$\frac{3}{4}$ " NPT Connection

Suggested Installation:

200 mesh/80 micron water filter prior to unit

One-way check valve downstream from unit for water hammer protection

Suggested Maintenance Interval:

Replace injection seals every 12 months

Replace Maintenance Kit components every 3 to 4 years

(Kit references available on Page 1)

DOSATRON SALES & SERVICE - NORTH & CENTRAL AMERICA

Dosatron International, Inc.

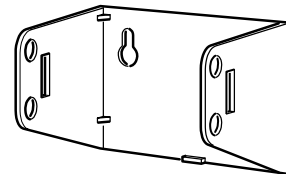
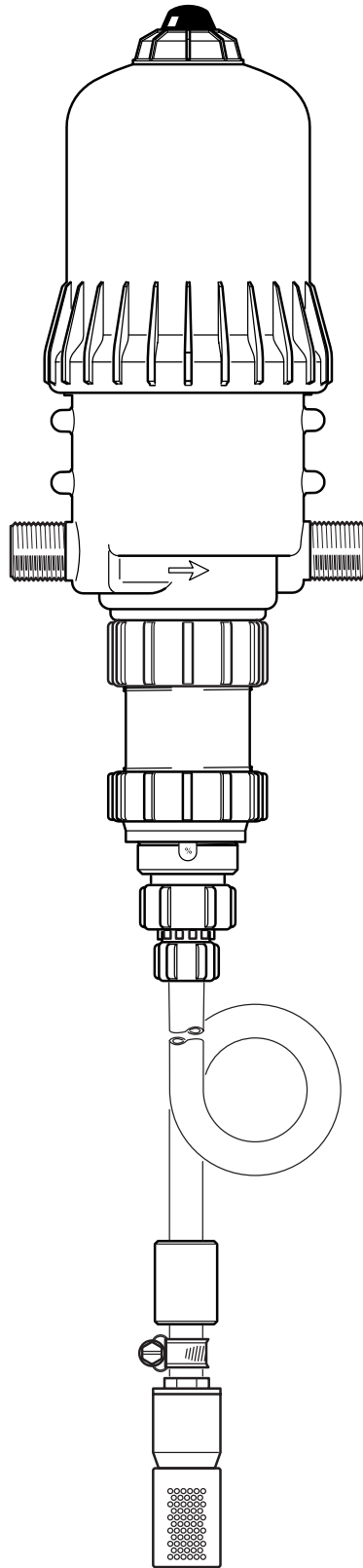
Phone: 727-443-5404 Service: (800) 523-8499

Fax: 727-447-0591

www.dosatronUSA.com

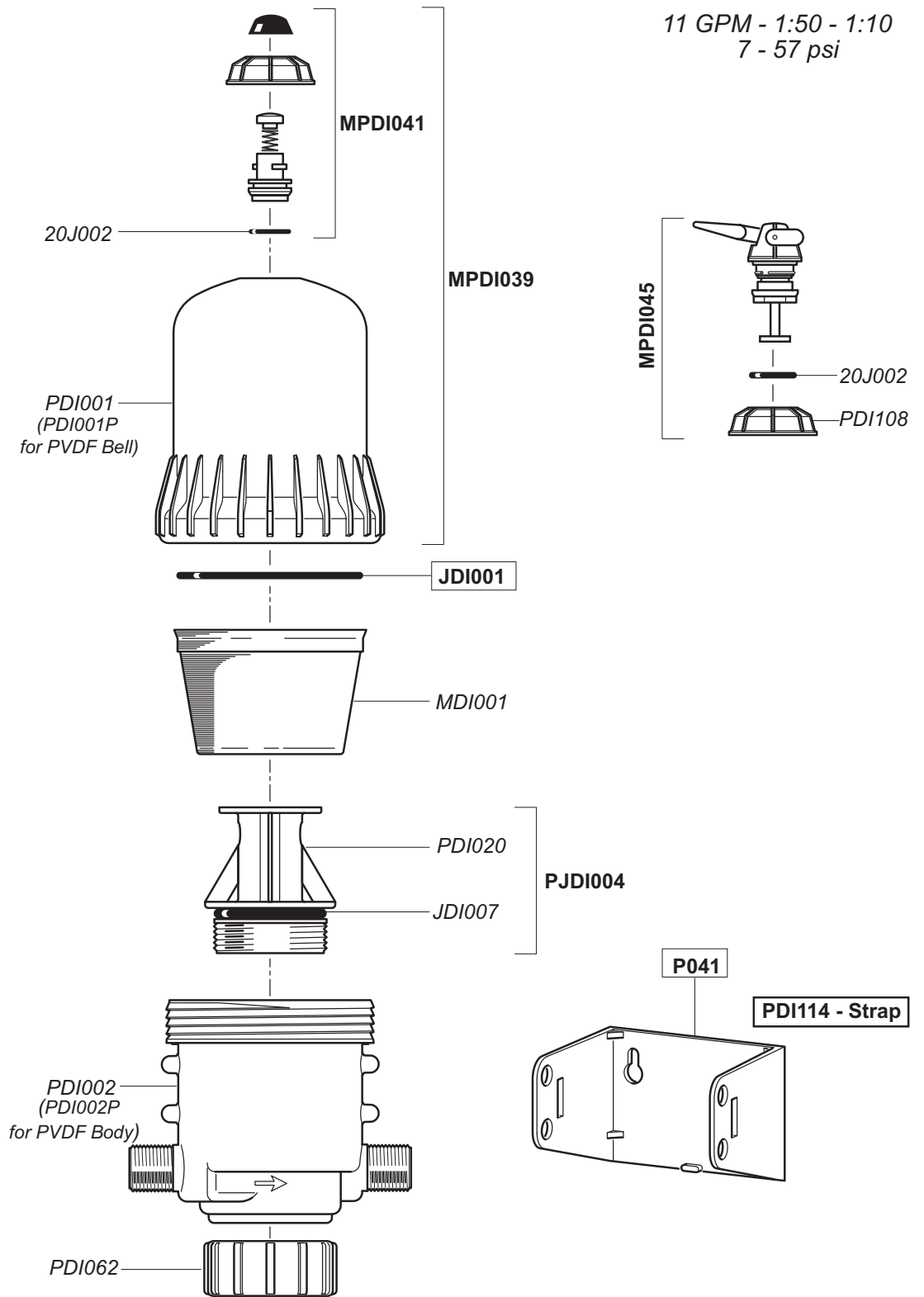
DI210
11/03

11 GPM - 1:50 - 1:10
7 - 57 psi



MKDI210 Maintenance Kit
EDDI004 - Injection Seal Kit

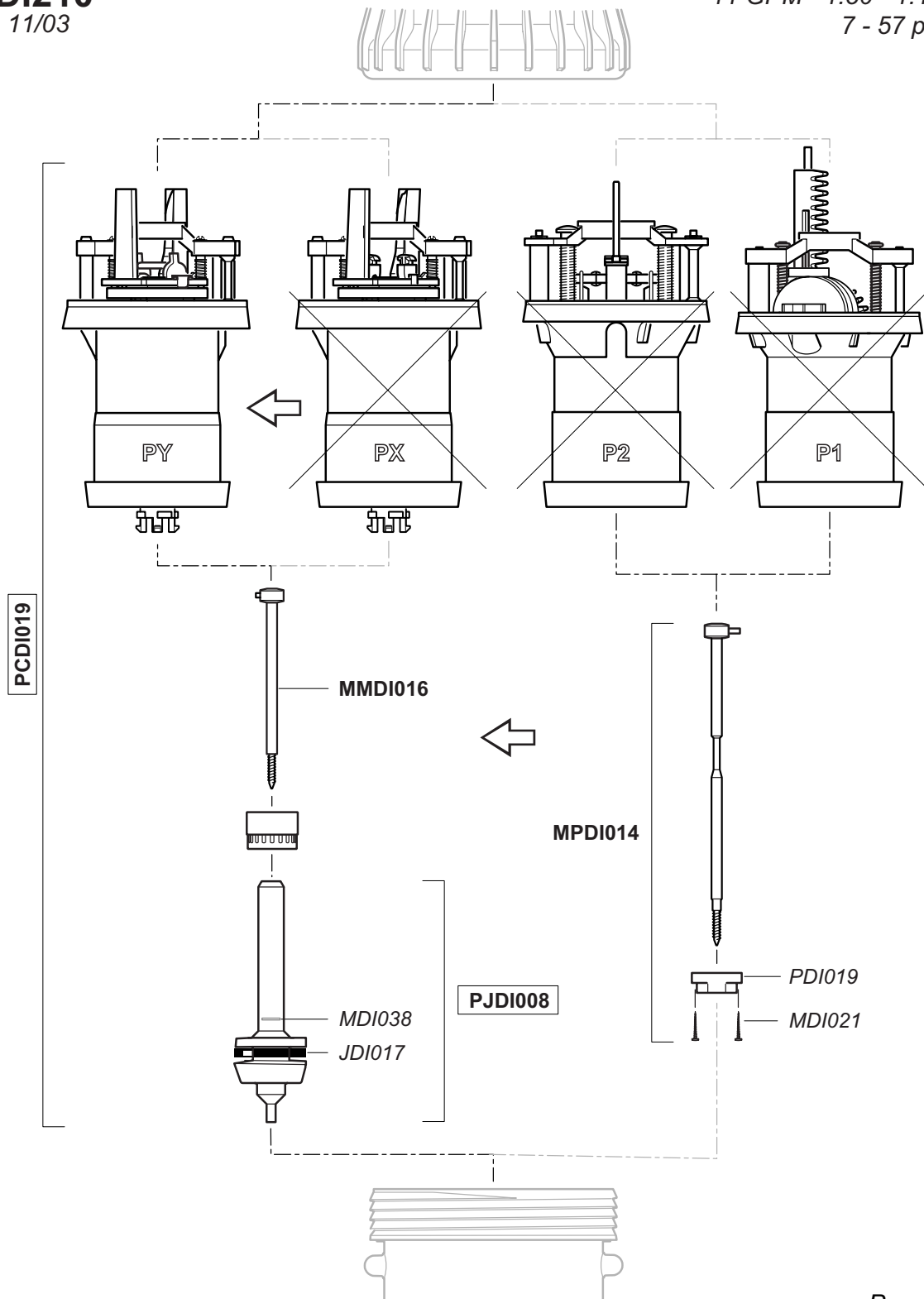
DI210
11/03



11 GPM - 1:50 - 1:10
7 - 57 psi

DI210
11/03

11 GPM - 1:50 - 1:10
7 - 57 psi

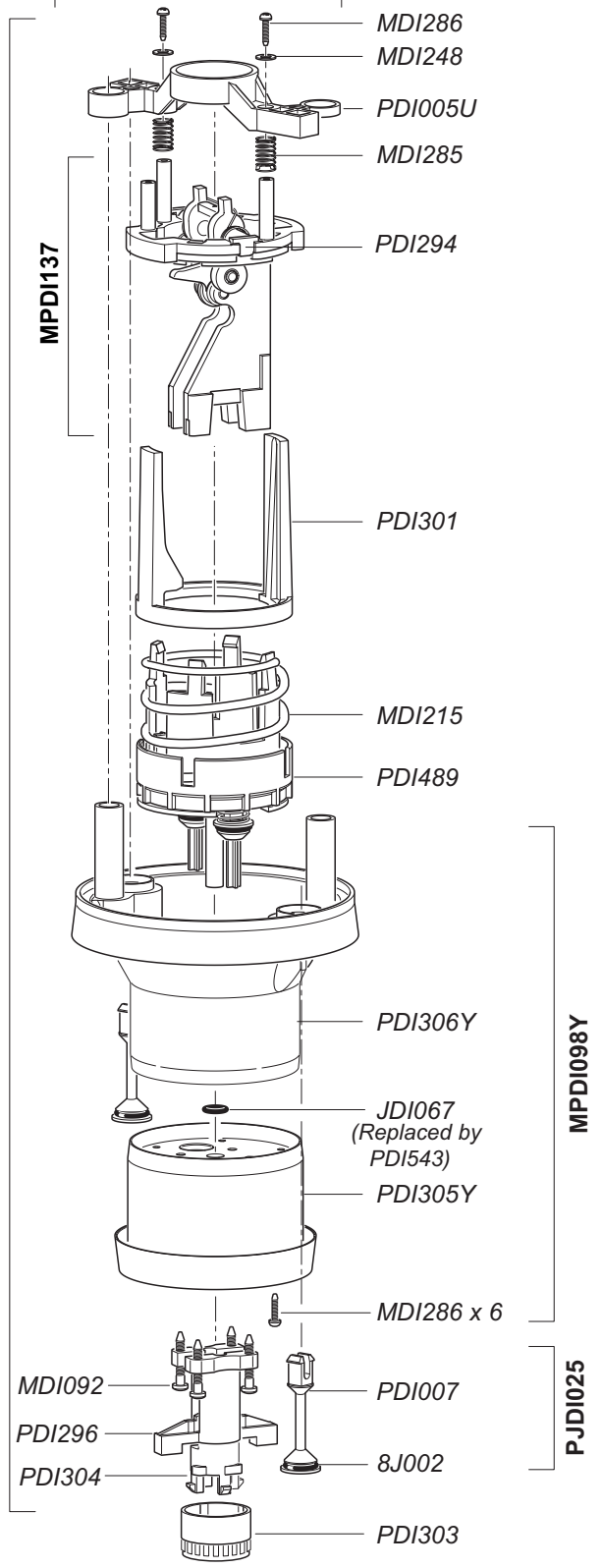
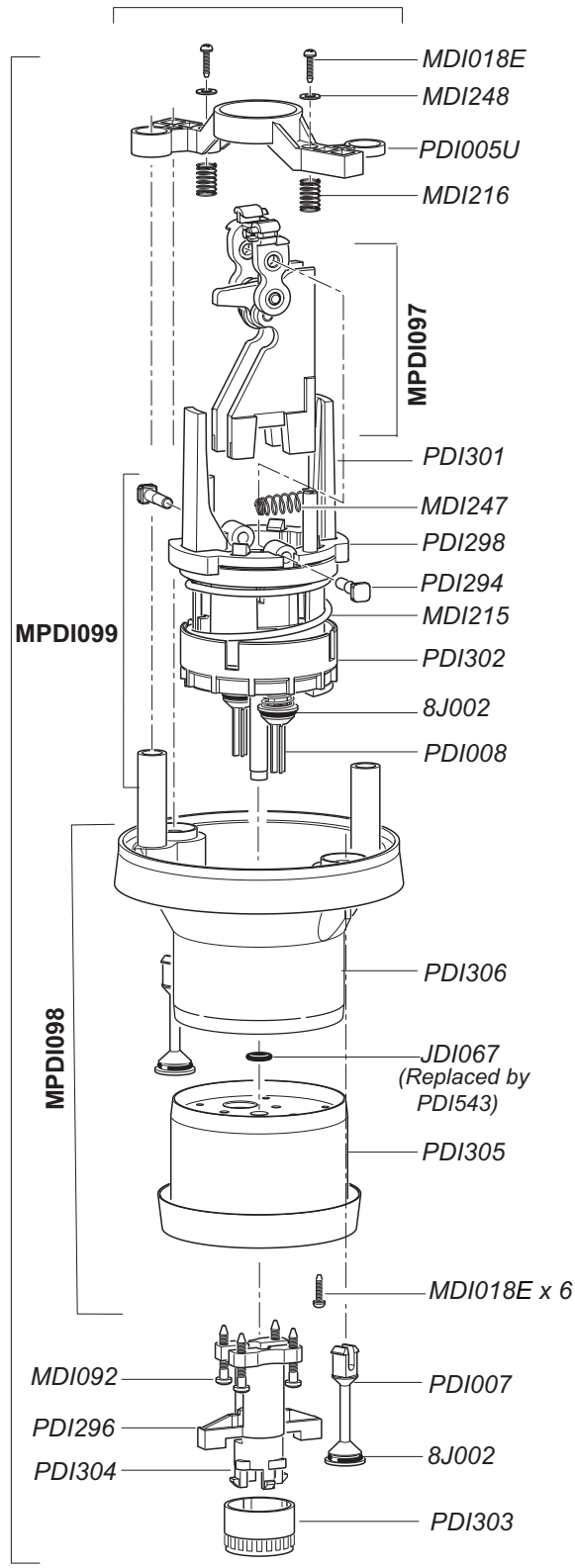


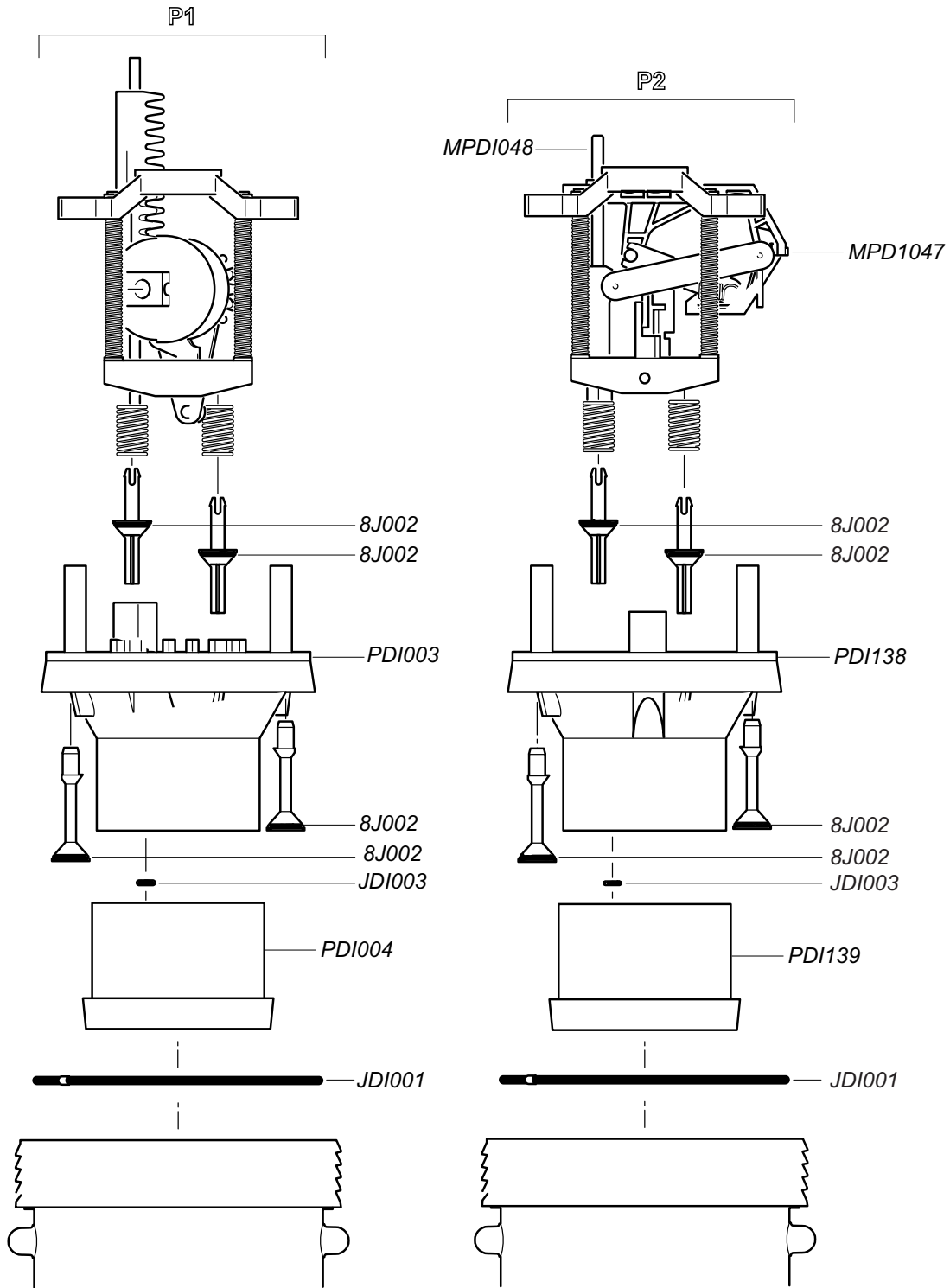
DI210
11/03

11 GPM - 1:50 - 1:10
7 - 57 psi

PX

PY





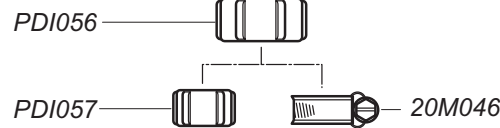
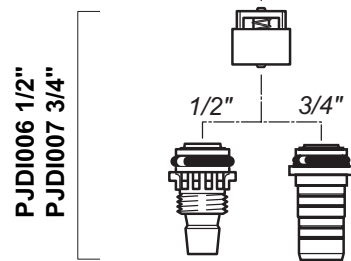
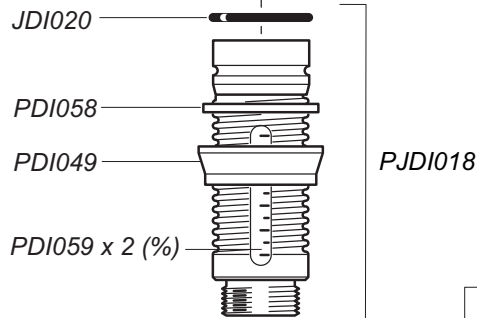
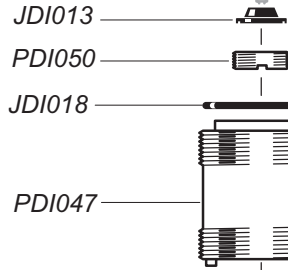
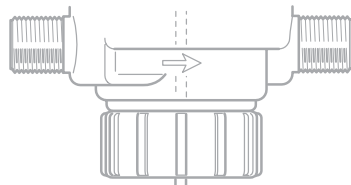
DI210
11/03

11 GPM - 1:50 - 1:10
7 - 57 psi

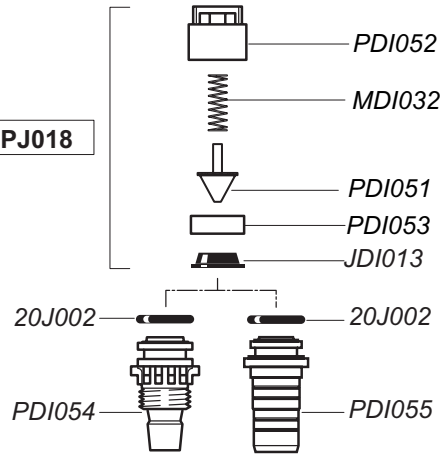
CDDI054 1/2" (Plunger not included)
CDDI054V 3/4"

CDDI005 3/4"

PJD1006 1/2"
PJD1007 3/4"



8PJ018



DI210
11/03

11 GPM - 1:50 - 1:10
7 - 57 psi

Option "V"

