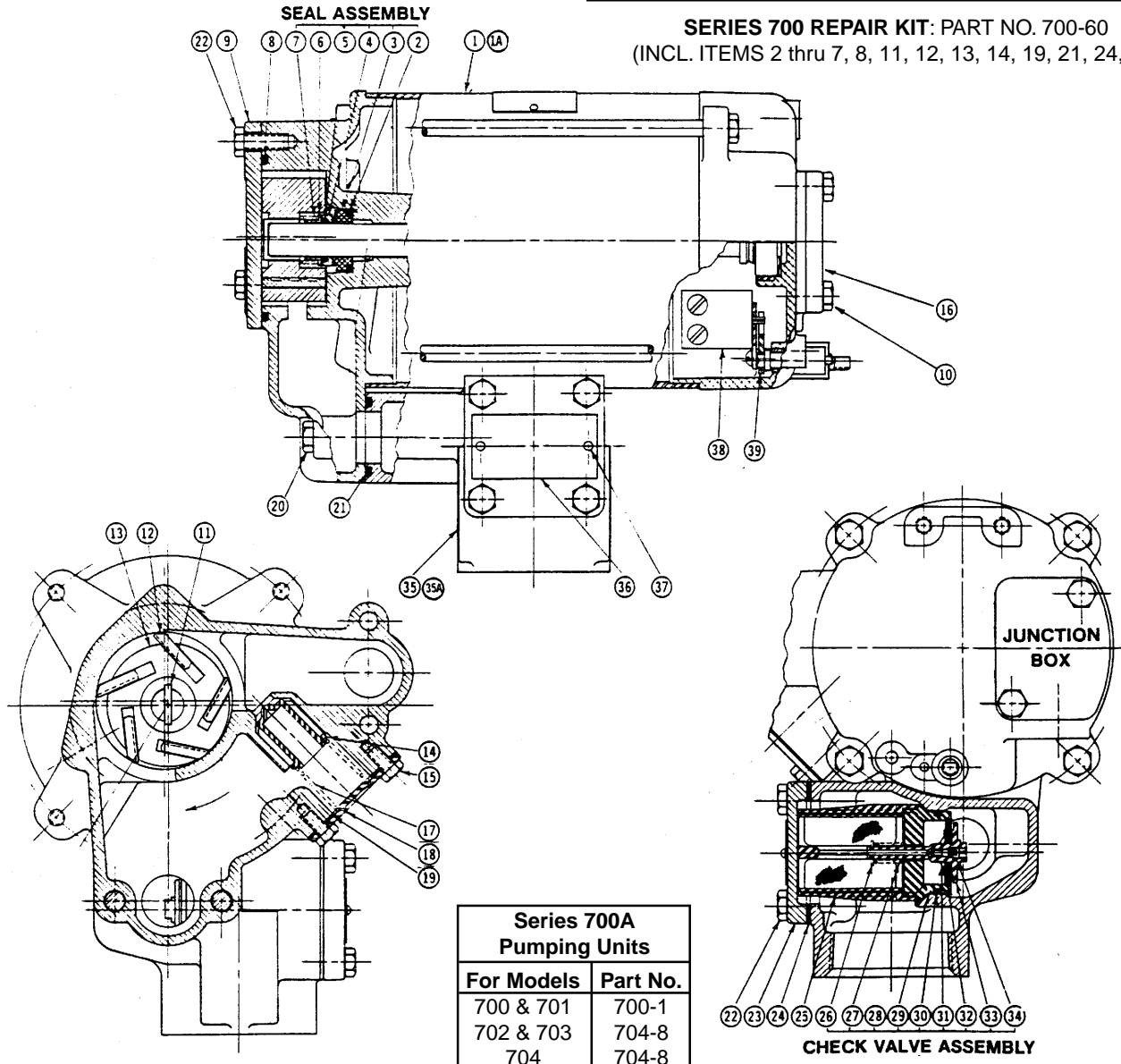


Series 700A

Item No.	Part No.	Description	No. Req'd.
1	700-3-SA	Motor Assy.	1
1A	700-3-220-SA	Motor assy. (220V 50 Hz)	As req'd.
	700-30	Pump housing (incl. in item 1)	1
	700-23V	Seal assy. (Items 2-7)	1
2	700-4V	O-ring (-213)	1
3	700-5	Seal	1
4	600-34	Rotary seal	1
5	600-40V	O-ring (-114)	1
6	600-41	Flange bearing	1
7	600-32	Spring	1
8	700-6	O-ring (-233)	1
9	700-7	Rotor cover	1
10	600-109	5/16-18 x 3/4 HHCS	2
11	700-53	Rotor key	1
12	700-8	Vane	5
13	700-9	Rotor (bronze)	1
14	700-10	Poppet	1
15	150-40	1/4-20 x 1/2 HHCS	2
16	700-25	Junction box cover	1
17	700-12	Spring	1
18	700-13	By-pass cover	1
19	700-33	Gasket	1

Item No.	Part No.	Description	No. Req'd.
20	700-14	3/8 - 16 x 1-1/2 HHCS	2
21	700-15	O-ring (-218)	1
22	700-16	5/16 - 18 x 7/8 HHCS	7
23	600-19	Strainer cover	1
24	600-27	Gasket	1
25	600-104	Strainer	1
	700-22	Check valve assy. (Items 26-34)	1
26	700-39	Retainer Ring	1
27	600-17	Spring	1
28	100-15	5/16 pushnut	1
29	700-18	Check valve body	1
30	600-77V	O-ring (-127)	1
31		Not furnished	
32	600-12	Check valve insert	1
33	700-20	Check valve stem	1
34	600-78	Valve core	1
35	700-21	Lower housing - Model 701	1
35A	704-21	Lower housing - Model 702 & 704	1
36	700-29	Nameplate	1
37	700-28	#2 x 3/16 Drive screw	2
38	700-48	Line switch	1
39	1200-46	Switch shaft assy.	1



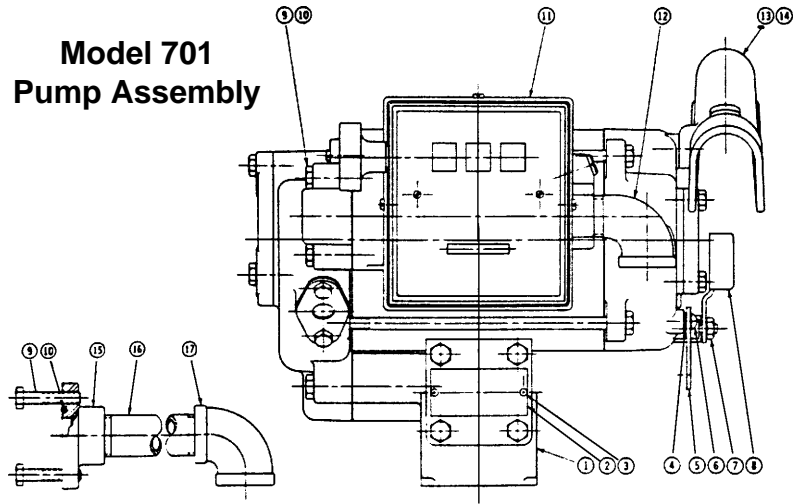
Series 700A

Models 700 & 701

Item No.	Part No.	Description	No. Req'd.
1	700-1	Pumping unit	1
4	150-36	1/4 Spring washer	1
5	600-31	Locking link	1
6	600-28	#14 x 5/8 Drive screw	1
7	700-27	5/16 - 18 Locknut	1
8	700-26	Switch lever	1
9	700-35	5/16 - 18 x 1-1/2 HHCS	2
10	700-15	O-ring (-218)	1
11	800-81	Meter - Model 701	1
12	702-25	3/4 Street EI - Model 701	1
13	700-24	Nozzle cover	1
14	600-109	5/16 - 18 x 3/4 HHCS	2
	700-51	Discharge assy. (Items 15-17) - Model 700	1
15	700-34	Outlet fitting	1
16	702-23-6	3/4 x 4-5/8 Nipple	1
17	702-24	3/4 Elbow	1
NS*	600-105	Adapter - NP Models	1
NS*	600-106	Coupler - PM Models	1
NS*	600-59	Pedestal pipe - PM Models	1
NS*	700-37	Base - PM Models	1
NS*	600-57	Nozzle (3/4" reg. spout)	1
NS*	700-57	Nozzle (3/4" non-lead spout)	
NS*	700-56	Hose - 12 Ft.	1
NS*	700-69	Auto nozzle (non-leaded)	Opt.
NS*	700-70	Auto nozzle (leaded)	Opt.

*This item Not Shown

Model 701 Pump Assembly



Model 700 Discharge Assy.

Models 702 & 703

Item No.	Part No.	Description	No. Req'd.
1	704-8	Pumping unit	1
2	702-39	Washer	4
3	604-8	Mounting grommet	4
4	700-16	5/16 - 18 x 7/8 HHCS	4
5	604-9	Cup washer	4
6	702-3	Cabinet base	1
7	702-18	1/4 - 20 x 1/2 Carriage bolt	1
8	702-19	1/4 Ext. lockwasher	3
9	702-20	1/4 - 20 Hex nut	3
10	702-21	1/4 - 20 x 1/2 PHMS	2
11	702-16	Hose hanger	1
12	702-7	Nozzle retainer	1
	702-43	Auto. nozzle retainer.	Opt.
13	702-8	Switch rod	1
14	702-22	3/32 x 1/2 Cotter pin	1
15	700-27	5/16 - 18 locknut	1
16	702-10	Switch lever	1
17	702-23-4	3/4 x 3-1/2 pipe nipple	1
18	702-26	#8-18 x 1/2 OHMS (TY.B)	7
19	702-11	Plate	1
20	702-25	3/4 Street EI	1
21	702-4	Cover	1
22	702-24	3/4 Elbow	2
23	604-30	Grommet	1
24	702-23-5	3/4 x 4 Pipe nipple	1
25	702-9	1/4 snap bushing	1
26	702-27	#10-24 x 1/2 PHMS	3
27	702-28	#10-24 Locknut (TY.U)	3
28	702-13	Counter face	1
29	800-66	#4-40 x 1/4 PHMS	2
30	800-82	Meter	1
31	702-14	Reset coupling	1
32	702-29	#10-32 x 1/4 Set screw	2
33	702-15	Reset shaft	1
34	700-35	5/16-18 x 1-1/2 HHCS	2
35	700-15	O-ring (-2180)	1
36	702-12	Bezel	1
37	702-30	#8A Locknut	2
38	800-105	Knob	1
NS*	600-105	Adapter-NP Models	1
NS*	600-106	Coupler-PM Models	Opt.
NS*	600-59	Pedestal pipe-PM Models	Opt.
NS*	700-37	Base-PM Models	Opt.
NS*	600-57	Nozzle (3/4" Reg. spout)	Opt.
NS*	700-57	Nozzle (3/4" Non-lead spout)	1
NS*	700-56	Hose - 12 Ft.	1
NS*	700-69	Auto nozzle (non-leaded)	Opt.
NS*	700-70	Auto nozzle (leaded)	Opt.
NS*	702-17A	Panel kit - Model 703	Opt.

*This item Not Shown

Model 702 Pump Assembly

