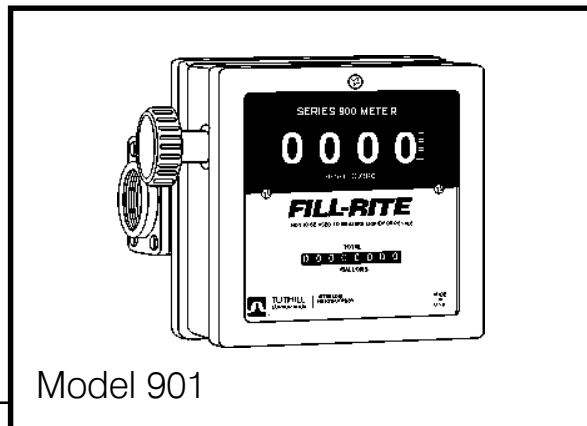


# **FILL-RITE**

Owner's Operation & Safety Manual

## **SERIES 900 METER**

For models 901, 901N & 901T



### **OUTSTANDING FEATURES**

- 6 to 40 GPM / 23 to 151 LPM flow rate
- $\pm 2\%$  accuracy
- 1" or 1-1/2" NPT inlet/outlet ports
- Large, easy to read numbers
- Quick reset knob
- Accumulative totalizer
- UL, CSA listed

## 900 SERIES METER PARTS LIST

ITM. NO.	PART NO.	DESCRIPTION	MATERIAL OF CONSTR.	QTY
1	900F8051	Meter Housing	Aluminum	1
	900F8102	Meter Housing-Nickel Plated	Aluminum, Nickel	Opt.
	900F8101	Meter Housing-Teflon® Coated	Aluminum, Teflon®	Opt.
2	300F7744	Inlet/Outlet Gasket	Buna-N	2
	300F7788	Inlet/Outlet Gasket	Fluorocarbon	Opt.
3	900F8087	Meter Chamber Assembly	Polyester	1
4	900F8067	Cover Gasket	Buna-N	1
	900F8068	Cover Gasket	Fluorocarbon	Opt.
5	900F4017	#10-32 x 1/2 PHMS, ACR II, T	Stainless steel	4
6	900F8066	Gear Frame	Polyester	1
7	900F8053	Meter Cover (Includes Item 20)	Aluminum	1
	900F8104	Meter Cover - Nickel Plated	Aluminum, Nickel	Opt.
	900F8103	Meter Cover - Teflon® Coated	Aluminum, Teflon®	Opt.
8	900F8132	#12-1/2 PHMS, Type AB	Stainless steel	2
9	900F4007	#8-32 x 5/16 PHMS, ACR II, TT		2
10	900F8070	Counter Assembly - U.S. Gallon		1
	900F8071	Counter Assembly - Liter		Opt.
11	900F8069	Bezel		1
12	800F4020	#4-40 x 1/4 PHMS		2
13	900F8073	Counter Face		1
	900F8099	Counter Face - Litre		Opt.
14	900F3410	#8 x 1/2 OHMS - Type B		2
15	800F4261	Knob		1
17	800F3820	Shaft - Cluster Gear	Stainless steel	1
18	800F3841	Cluster Gear - U.S. Gallon	Ryton	1
	800F3843	Cluster Gear - Liter	Ryton	Opt.
19	800F3830	Washer		1
20	900F8063	Driver Pinion Shaft (Included with Item 7)	Stainless steel	1
21	900F8065	Retaining Ring	Zinc plated steel	1
22	900F8064	Driver Pinion	Polyester	1
23	800F3980	Washer	Stainless steel	3
24	800F3845	Drive Gear - U.S. Gallon	Ryton	1
	800F3846	Drive Gear - Liter	Ryton	Opt.
25	800F4191	O-Ring (5-106)	Fluorocarbon	1
27	800F3959	Pinion Bevel		1
28	700F2810	5/16-18 x 7/8 HHCS		4
29	900F8158	Seal Screw	Stainless steel	1
30	800F4449	O-Ring (-012)	Fluorocarbon	1
31	900F8160	Adjustment Screw (Includes Item 32)	Stainless steel	1
32	900F8159	O-Ring (-010)	Fluorocarbon	1
33	1200F6721	1/4-20 x 3/4 HHCS (1" meters)		8
34	900F8076	1" Meter Flange	Aluminum	2
	900F8106	1" Meter Flange - Nickel Plated	Aluminum, Nickel	Opt.
	900F8105	1" Meter Flange - Teflon Coated	Aluminum, Teflon®	Opt.
35	900F8092	1-1/2" Meter Flange	Aluminum	Opt.
	900F8110	1-1/2" Meter Flange Nickel Plated	Aluminum, Nickel	Opt.
	900F8109	1-1/2" Meter Flange Teflon Coated	Aluminum, Teflon®	Opt.
36	900F8091	1/4-20 x 1-1/2 HHCS (1-1/2" meters)		Opt.
37	900F8045	Meter Cover Assembly U.S. Gallon		1
	900F8047	Meter Cover Assy-U.S. Gallon Nickel Plated		Opt.
	900F8046	Meter Cover Assy-U.S. Gallon Teflon Coated		Opt.
	900F8048	Meter Cover Assembly - Liter		Opt.
	900F8050	Meter Cover Assy - Liter Nickel Plated		Opt.
	900F8049	Meter Cover Assy - Liter Teflon Coated		Opt.

### Cleaning Instructions:

Run a flushing fluid through meter. For a more thorough cleaning, disassemble meter per "ASSEMBLY/DISASSEMBLY" section, "Meter Chamber Assembly" subsection. Rinse all meter components. Recalibrate meter following calibration instructions above.

### Storage:

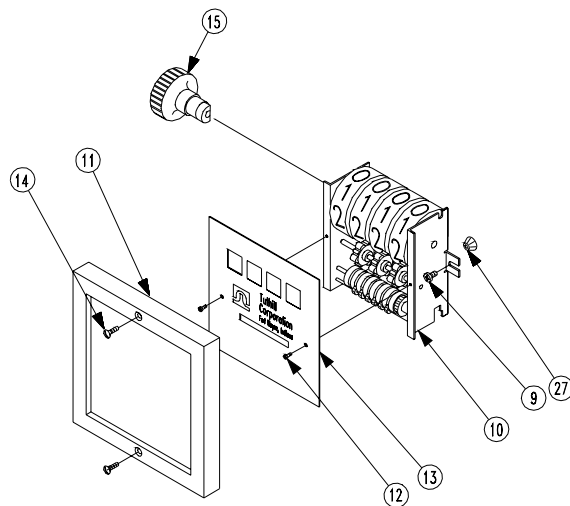
If meter is to be stored for a period of time, clean thoroughly. This will help protect meter from damage.

## REPAIR

Meters needing repair should be taken to an authorized repair shop or returned to factory for service. Meters must be thoroughly triple-rinsed before being taken in for repair.

### PRIOR TO SERVICE, ADHERE TO FOLLOWING INSTRUCTIONS:

**If meter was used for a fluid other than a petroleum product, it must be triple-rinsed and accompanied by a note indicating the chemicals which have been pumped through the unit. Meters not adhering to these specifications may be refused service at either the repair shop or at the factory.**

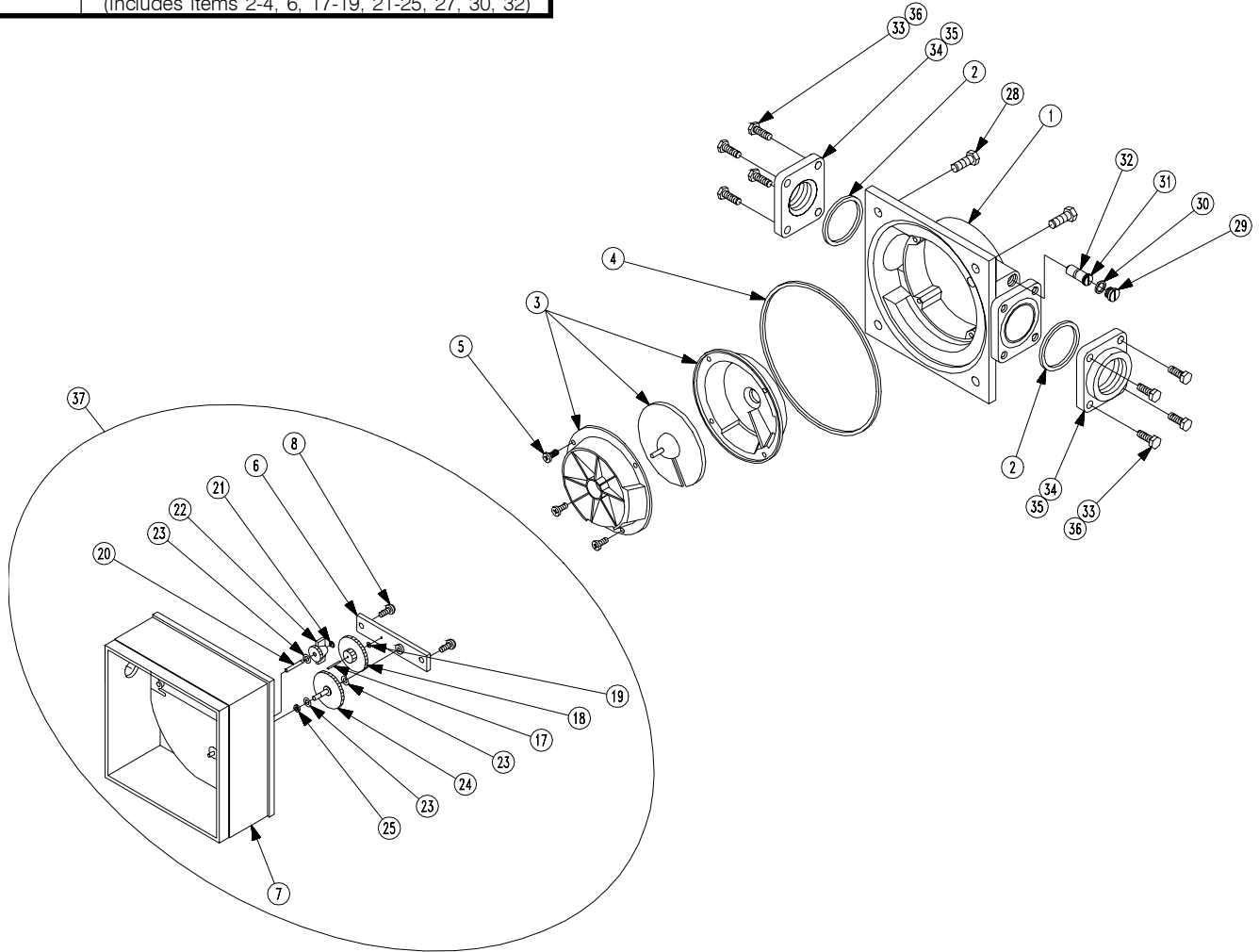


**WHEN ORDERING REPAIR PARTS, BE SURE TO GIVE REPLACEMENT PART NUMBER, DATE OF MANUFACTURE AND METER SERIES NUMBER. THIS WILL ENSURE THAT THE CORRECT REPLACEMENT PART IS SUPPLIED.**

**TOLL FREE CUSTOMER CARE NUMBER  
800 634 2695**

## 900 SERIES REPAIR PARTS KITS

900KTF8119	Meter Repair Kit, U.S. Gallon (Standard Seals) (Includes items 2-4, 6, 17-19, 21-25, 27, 30, 32)
900KTF8120	Meter Repair Kit, U.S. Gallon (Fluorocarbon Seals) (Includes items 2-4, 6, 17-19, 21-25, 27, 30, 32)
900KTF8121	Meter Repair Kit, Liter (Standard Seals) (Includes items 2-4, 6, 17-19, 21-25, 27, 30, 32)
900KTF8123	Meter Repair Kit, Liter (Fluorocarbon Seals) (Includes items 2-4, 6, 17-19, 21-25, 27, 30, 32)



## TROUBLESHOOTING GUIDE

PROBLEM	POSSIBLE CAUSE	SOLUTION
Counter reading high or low	<ul style="list-style-type: none"> <li>• Calibration off</li> <li>• Air in product</li> <li>• Measuring chamber or gears sticking</li> </ul>	<ul style="list-style-type: none"> <li>• Recalibrate meter.</li> <li>• Find and repair air leaks in system.</li> <li>• Clean or replace internal metering components.</li> </ul>
Shaft seal leakage	<ul style="list-style-type: none"> <li>• Dirty seal</li> <li>• Bad seal</li> </ul>	<ul style="list-style-type: none"> <li>• Clean O-ring seal and seat area.</li> <li>• Replace seal.</li> </ul>
Gasket leakage	<ul style="list-style-type: none"> <li>• Loose joints</li> <li>• Dirty gasket</li> <li>• Bad gasket</li> </ul>	<ul style="list-style-type: none"> <li>• Tighten joints.</li> <li>• Clean gasket and seat area.</li> <li>• Replace gasket.</li> </ul>
Low flow capacity	<ul style="list-style-type: none"> <li>• Clogged meter chamber</li> </ul>	<ul style="list-style-type: none"> <li>• Clean meter chamber.</li> </ul>