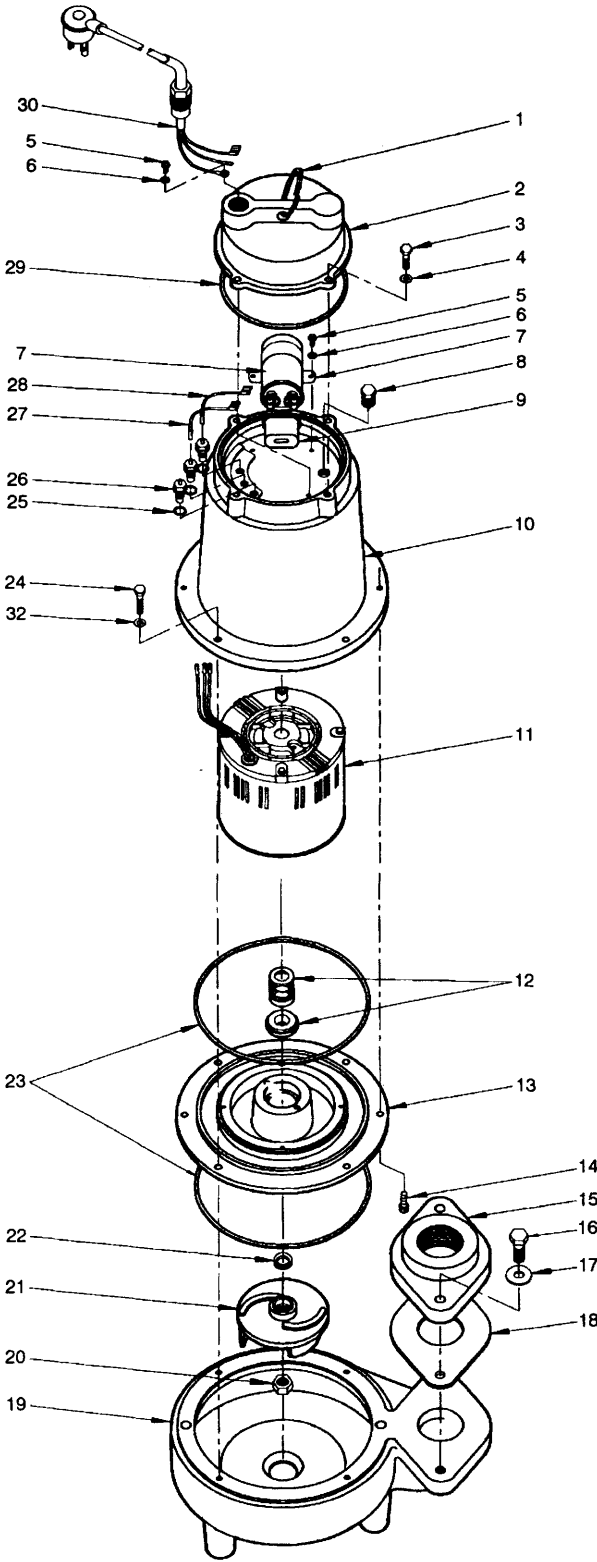


Models 14S-CIM, 14EH-CIM, 16S-CIM & 16EH-CIM Submersible Sewage Ejector Pumps & Effluent Pumps



ITEM NO	PART NO.	DESCRIPTION	QTY.	MODEL NO./CATALOG NO.											
				14EH-CIM 514220	14EH-CIM 514221	14S-CIM 514320	14S-CIM 514321	14S-CIM 514420	16EH-CIM 514520	16S-CIM 514620	16S-CIM 514640	16S-CIM 514625	16S-CIM 514630		
1	114100	WIRE HANDLE	1	*	*	*	*	*	*	*	*	*	*		
2	114051	COVER, HOUSING	1	*	*	*	*	*	*	*	*	*	*		
3	903723	SCREW, 1/4-20 x 3/4"	4	*	*	*	*	*	*	*	*	*	*		
4	921103	LOCK WASHER, 1/4"	4	*	*	*	*	*	*	*	*	*	*		
5	902437	SCREW, #8-32 x 1/4"	3	*	*	*	*	*	*	*	*	*	*		
6	921059	LOCK WASHER, #8	3	*	*	*	*	*	*	*	*	*	*		
7	950500/ 950503	CAPACITOR, 30mfd, 1.75" DIA/CLIP, 1.75" DIA.	1			*	*	*	*	*	*	*	*		
7	950501/ 950503 OR 950504/ 950505	CAPACITOR, 30mfd, 1.75" DIA/CLIP, 1.75" DIA. CAPACITOR, 30mfd, 2.00" DIA/CLIP, 2.00" DIA.	1	*	*					*	*	*	*		
8	929302	PIPE PLUG, 1/4" HEX	1	*	*	*	*	*	*	*	*	*	*		
9	950502	BOOT, INSULATING	1	*	*	*	*	*	*	*	*	*	*		
10	114058	MOTOR HOUSING	1	*	*	*	*	*	*	*	*	*	*		
11	979821	MOTOR ASSY., 14EH	1	*											
11	979842	MOTOR ASSY., 14EH, 208-240V	1	*	*										
11	979801	MOTOR ASSY., 14S	1			*		*							
11	979843	MOTOR ASSY., 14S, 209-240V	1			*		*							
11	979831	MOTOR ASSY., 16EH	1					*							
11	979811	MOTOR ASSY., 16S	1					*	*		*	*	*		
11	979876	MOTOR ASSY., 16S, 200-208V	1					*	*	*	*	*	*		
12	926051	SHAFT SEAL ASSY.	1	*	*	*	*	*	*	*	*	*	*		
13	114057	MOTOR MTG. PLATE	1	*	*	*	*	*	*	*	*	*	*		
14	903710	CAP SCREW, 1/4-20 x 5/8"	2	*	*	*	*	*	*	*	*	*	*		
15	114004	DISCH. FLANGE, 2" FNPT	1	*	*	*	*	*	*	*	*	*	*		
15	114009	DISCH. FLANGE, 3" FNPT	1	*	*	*	*	*	*	*	*	*	*		
16	903722	SCREW, 7/16-14 x 1-1/4"	2	*	*	*	*	*	*	*	*	*	*		
17	921104	LOCK WASHER, 7/16"	2	*	*	*	*	*	*	*	*	*	*		
18	114101	FLANGE GASKET	1	*	*	*	*	*	*	*	*	*	*		
19	114038	VOLUTE, 14EH/16EH	1	*	*			*		*	*	*	*		
19	114043	VOLUTE, 14S/16S	1	*	*	*	*	*	*	*	*	*	*		
20	920004	JAM NUT, 1/2" x 20	1	*	*	*	*	*	*	*	*	*	*		
21	115054	IMPELLER, 14EH	1	*	*	*	*	*	*	*	*	*	*		
21	114044	IMPELLER, 14S	1	*	*	*	*	*	*	*	*	*	*		
21	114056	IMPELLER, 16EH	1	*	*			*		*	*	*	*		
21	114052	IMPELLER, 16S	1	*	*	*	*	*	*	*	*	*	*		
22	926016	V-SEAL, NITRILE	1	*	*	*	*	*	*	*	*	*	*		
23	928033	SEAL RING, 7.484" I.D.	2	*	*	*	*	*	*	*	*	*	*		
24	903724	SCREW, 5/16-18 x 1-1/4"	4	*	*	*	*	*	*	*	*	*	*		
25	924006	O-RING, .364" I.D.	3	*	*	*	*	*	*	*	*	*	*		
26	950431	FEED-THROUGH TERMINAL	3	*	*	*	*	*	*	*	*	*	*		
27	951972	LEAD WIRE ASSY., RED	1	*	*	*	*	*	*	*	*	*	*		
28	951971	LEAD WIRE ASSY., BLACK	1	*	*	*	*	*	*	*	*	*	*		
29	928034	SEAL RING, 5.359" I.D.	1	*	*	*	*	*	*	*	*	*	*		
30	951843	WIRING HARNESS, 115V W/PLUG	1	*	*	*	*	*	*	*	*	*	*		
30	951844	WIRING HARNESS, STRIPPED	1	*	*			*		*	*	*	*		
30	951842	WIRING HARNESS, 208-240V W/PLUG	1	*	*	*	*	*	*	*	*	*	*		
30	951840	WIRING HARNESS, 230V, 40', 16/3	1	*	*	*	*	*	*	*	*	*	*		
31	990452	DIELECTRIC OIL (Not Shown)	⁷⁰ / _{oz}	*	*	*	*	*	*	*	*	*	*		
32	921105	LOCK WASHER, 5/16"	4	*	*	*	*	*	*	*	*	*	*		