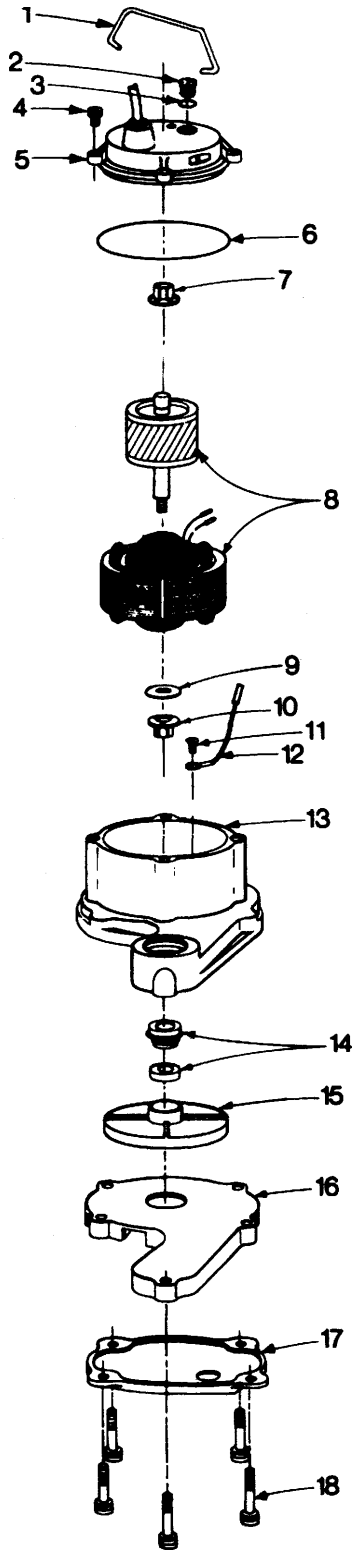


Models 8E-CIM Submersible Effluent Pump



Ref. No.	Part	Description	Qty.
1	108101	Handle	1
2	947003	Oil Plug	1
3	924006	O-Ring	1
4	909022	Screw/Washer #10-24	4
8	109122	Cover Assy.	1
6	928002	Seal Ring	1
7	948014	Bearing, Slotted	1
8	979153/ 979148	Stator/Rotor Assy.	1
9	106136	Spacer/Rotor	1
10	948010	Bearing, Slotted	1
11	902437	Screw. Ta[[omg #9=32	1
12	951990	Lead Wire Assy.	1
13	109075	Housing	1
14	926031	Seal Assy.	1
15	109102	Impeller	1
16	109150	Base, Screen	1
17	109151	Plate, Base	1
18	909024	Screw/Washer #S10-24	1