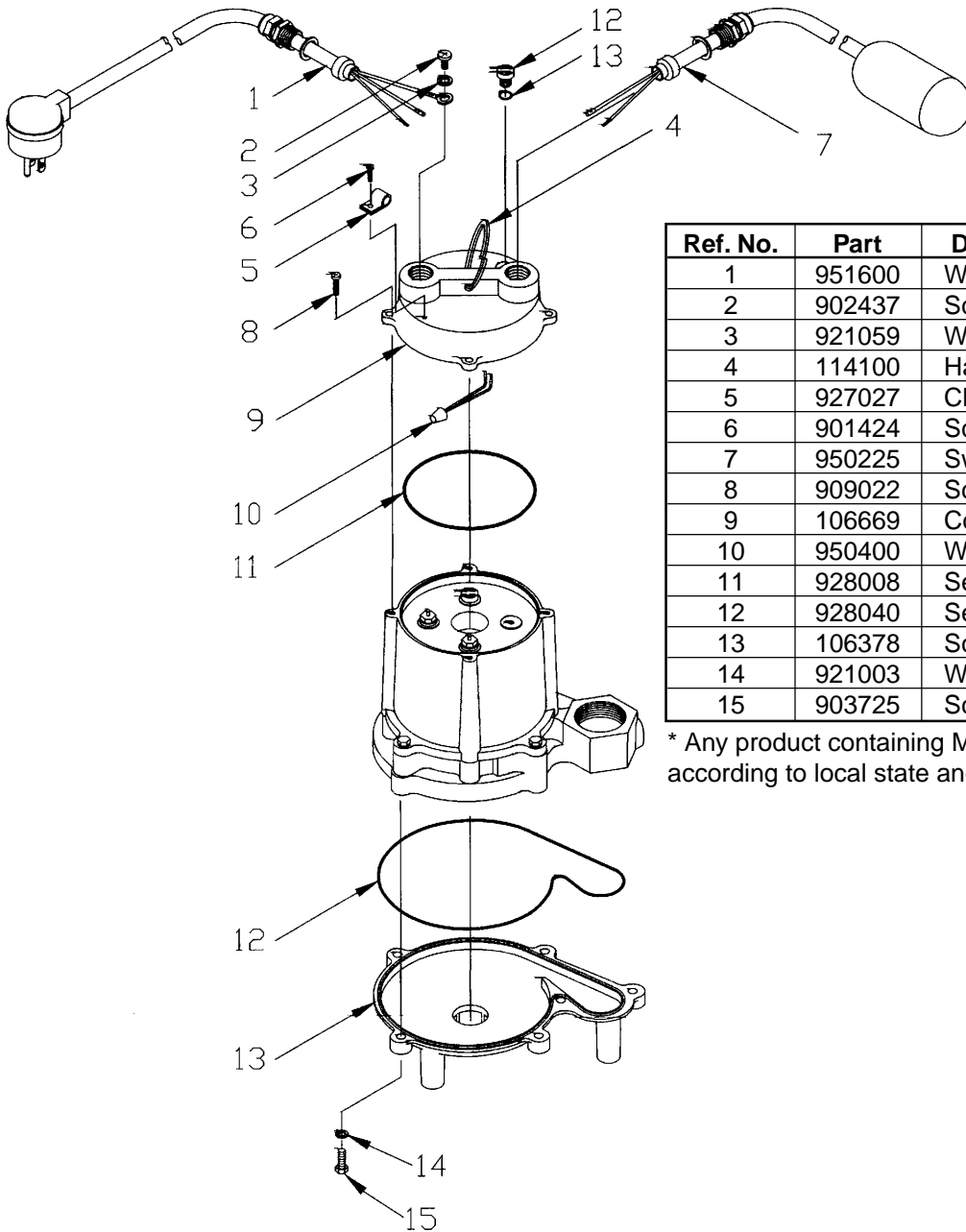


# Models HT-6E-CIA-FS Submersible Effluent Pump



Ref. No.	Part	Description	Qty.
1	951600	Wiring Harness, 15 ft.	1
2	902437	Screw, #8-32 x 1/4	1
3	921059	Washer, Lock, #8	1
4	114100	Handle, Wire	1
5	927027	Clamp, loop	1
6	901424	Screw, #8-32 x 1/2	1
7	950225	Switch Assy, Mercury *	1
8	909022	Screw/Washer, #10-24 x 5/8	4
9	106669	Cover, Automatic	1
10	950400	Wire nut, 14-18 AWG.	1
11	928008	Seal ring, 4.718 x .078	1
12	928040	Seal ring, 7.928 x .063	1
13	106378	Screen/base	1
14	921003	Washer, lock, 1/4	6
15	903725	Screw, cap, 1/4-20 x 7/8	6

\* Any product containing Mercury must be recycled or disposed according to local state and federal code.