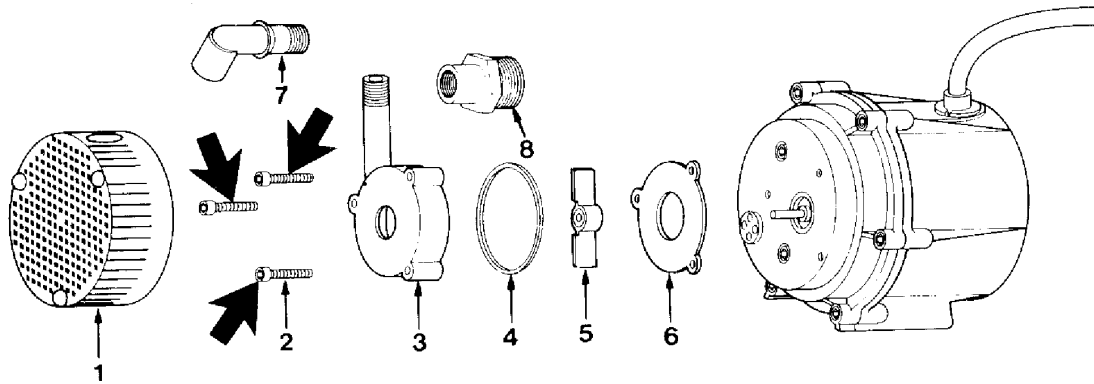


Models NK-1 & NK-2



ITEM	PART #	DESCRIPTION	CATALOG NO./ MODEL NO.									
			526003 NK-1	526076 NK-1	527003 NK-2	527016 NK-2	527076 NK-2	527176 NK-2	527180 NK-2	527300 NK-2UL-WG	527380 NK-2UL-FWG	
1	101376	SCREEN, POLYETHYLENE	1	1	1	1	1	1	1	1		
2	902417	SCREW, #8-18 X 1", SS	3	3	3	3	3	3	3	3	3	
3	116375	VOLUTE, SMOOTH, NYLON	1	1	1	1	1	1	1	1		
3	116376	VOLUTE, WG (not shown)		1			1			1	1	
4	928007	SEAL RING, SQ. CUT, NITRILE	1	1	1	1	1	1	1	1	1	
5	116437	IMPELLER ASSEMBLY, NYLON	1	1	1	1	1	1	1	1	1	
6	126377	BACKPLATE NYLON	1	1	1	1	1	1	1	1	1	
7	943076	ELBOW, 90°, NYLON	1	1	1	1	1	1	1	1		
8	599022	ADAPTOR, 3/4 GHT X 1/4 FNPT						1				