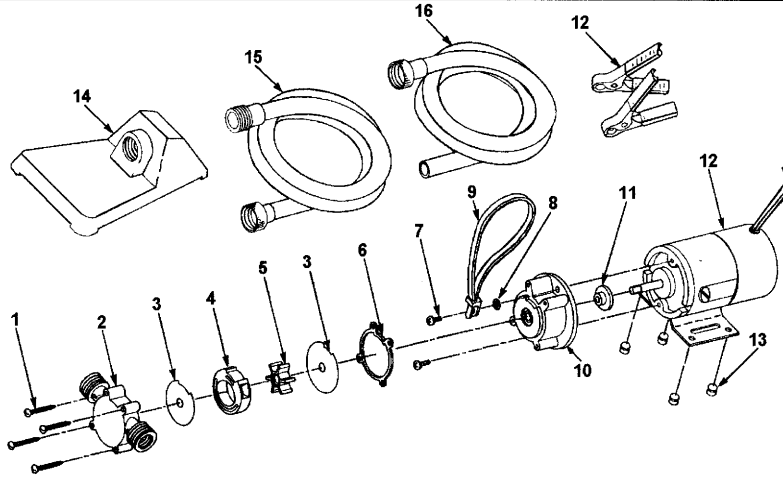


Models PP-1, PPS-1, PP-12, PPS-12 & PP-230 Potent Pump

REPLACEMENT PARTS & ACCESSORIES AVAILABLE THROUGH PARTS DEPOTS

155201	PPIK-1 Impeller Replacement Kit.
155202	PPIK-12 Impeller Replacement Kit.
599330	Brush & Spring Kit for 115V & 230V motors with white brush caps.
155113	Water Eater - Suction hose attachment for removal of water close to the floor. Built-in strainer prevents foreign matter from entering pump.



ITEM NO.	PART NO.	DESCRIPTION	QTY.	MODEL				
				PP-1	PPS-1	PP-12	PPS-12	PP-230
1	902425	Screw, #8-18 x 1-1/4"	4	•	•	•	•	•
2	155010	Volute	1	•	•	•	•	•
3	155060	Wear Plate	2	•	•	•	•	•
4	155020	Cam (115V)	1	•	•			•
4	155030	Cam (12V)	1			•	•	
5	155040	Impeller (115V)	1	•	•			•
5	155050	Impeller (12V)	1			•	•	
6	155071	Gasket	1	•	•	•	•	•
7	901526	Screw, #10-32 x 1/2"	2	•	•	•	•	•
8	921023	Lock Washer, #10	3	•	•	•	•	•
9	950952	Carrying Strap	1	•	•	•	•	•
10	155001	Seal Assembly	1	•	•	•	•	•
11	921044	Water Slinger	1	•	•	•	•	•
12	979510	Motor (115V)	1	•	•			
12	979063	Motor (12V) with Clamps	1			•	•	
12	979511	Motor (220/240V)	1					•
13	155085	Motor Pads (4)	1	•	•			•
13	155100	Motor Pads (4)	1			•	•	
14	155113	Water Eater	1		•		•	
15	944453	Hose	1		•		•	
16	944451	Hose	1		•		•	