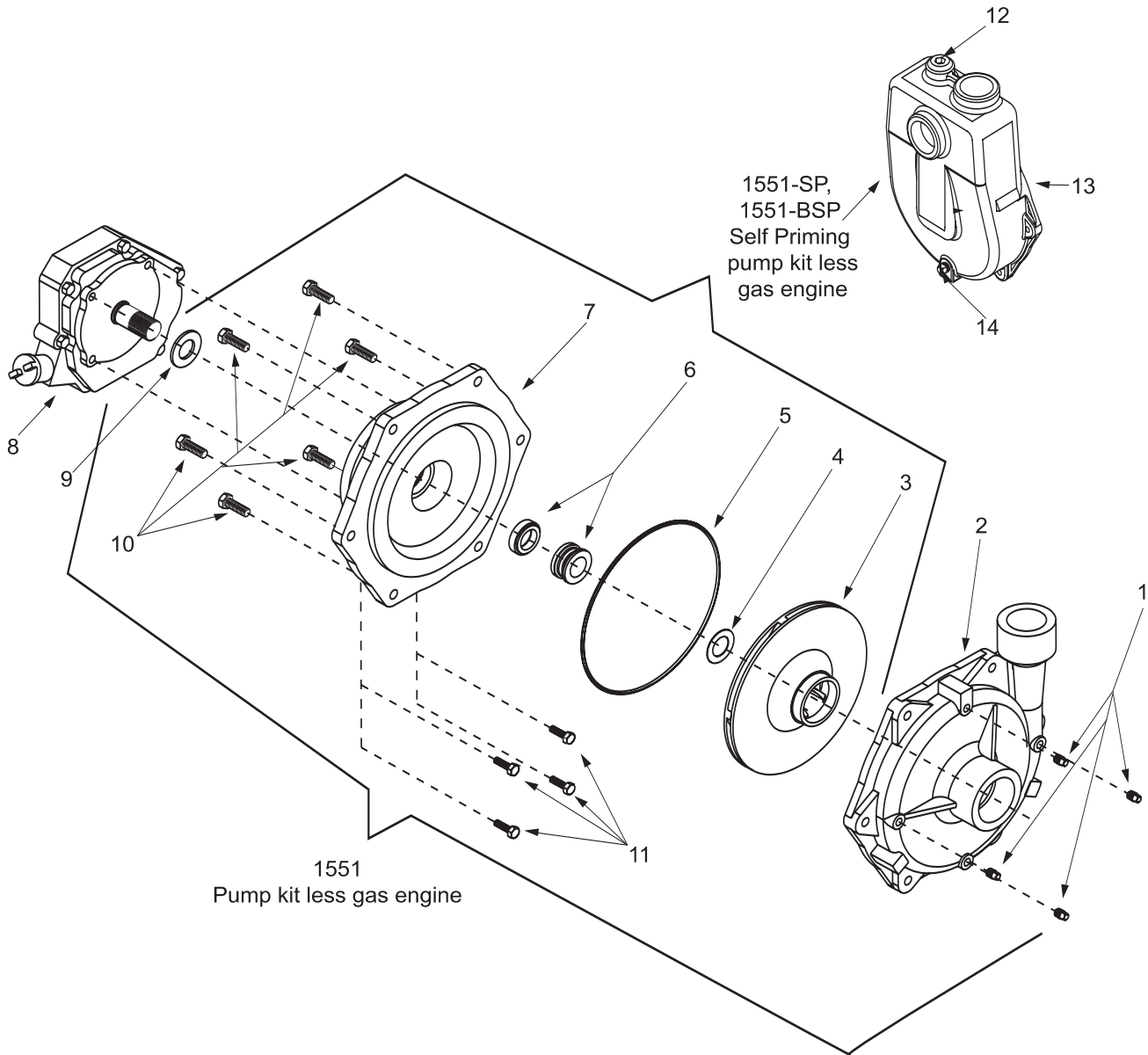


Models 1550, 1550-SP, 1550-BSP, 1551, 1551-SP and 1551-BSP



Seal Kit for 1550 and 1551
No. 3430-0464 consists of:
(1) Ref. 4 Gasket
(1) Ref. 5 O-ring
(1) Ref. 6 Mechanical Seal

Note: When ordering parts, give quantity, part number, description and complete model number. Reference numbers are used ONLY to identify parts in the drawing and NOT to be used as order numbers.

| Ref. No. | Qty. Req'd. | Part No. | Description |
|----------|-------------|------------|-------------------------------------|
| 1 | 4 | 2406-0007 | Drain Plug |
| 2 | 1 | 0153-9200C | Pump Casing (Includes SS wear ring) |
| 3 | 1 | 0404-9200P | Impeller (Nylon) |
| 4 | 1 | 1700-0121 | Gasket |
| 5 | 1 | 1720-0180 | O-Ring |
| 6 | 1 | 2120-0034 | Mechanical Seal - Viton |
| 7 | 1 | 0707-9200C | Flange |
| 8 | 1 | 2541-0037 | Honda eng. (Model 1550) (GX-270PA)* |

| Ref. No. | Qty. Req'd. | Part No. | Description |
|----------|-------------|-------------|------------------------------|
| 9 | 1 | 1410-0091 | Slinger Ring |
| 10 | 6 | 2210-0086 | Bolt |
| 11 | 4 | 2210-0098 | Bolt |
| 12 | 1 | 2406-0034 | Priming port plug (Standard) |
| 12 | 1 | 2406-0036 | Priming port plug (BSP) |
| 13 | 1 | 0152-9075C | Pump Casing (Standard NPT) |
| 13 | 1 | 0152-9075C1 | Pump Casing (BSP) |
| 14 | 1 | 2406-0002 | Drain plug |

* CONTACT THE ENGINE MANUFACTURER FOR THIS PRODUCT NUMBER