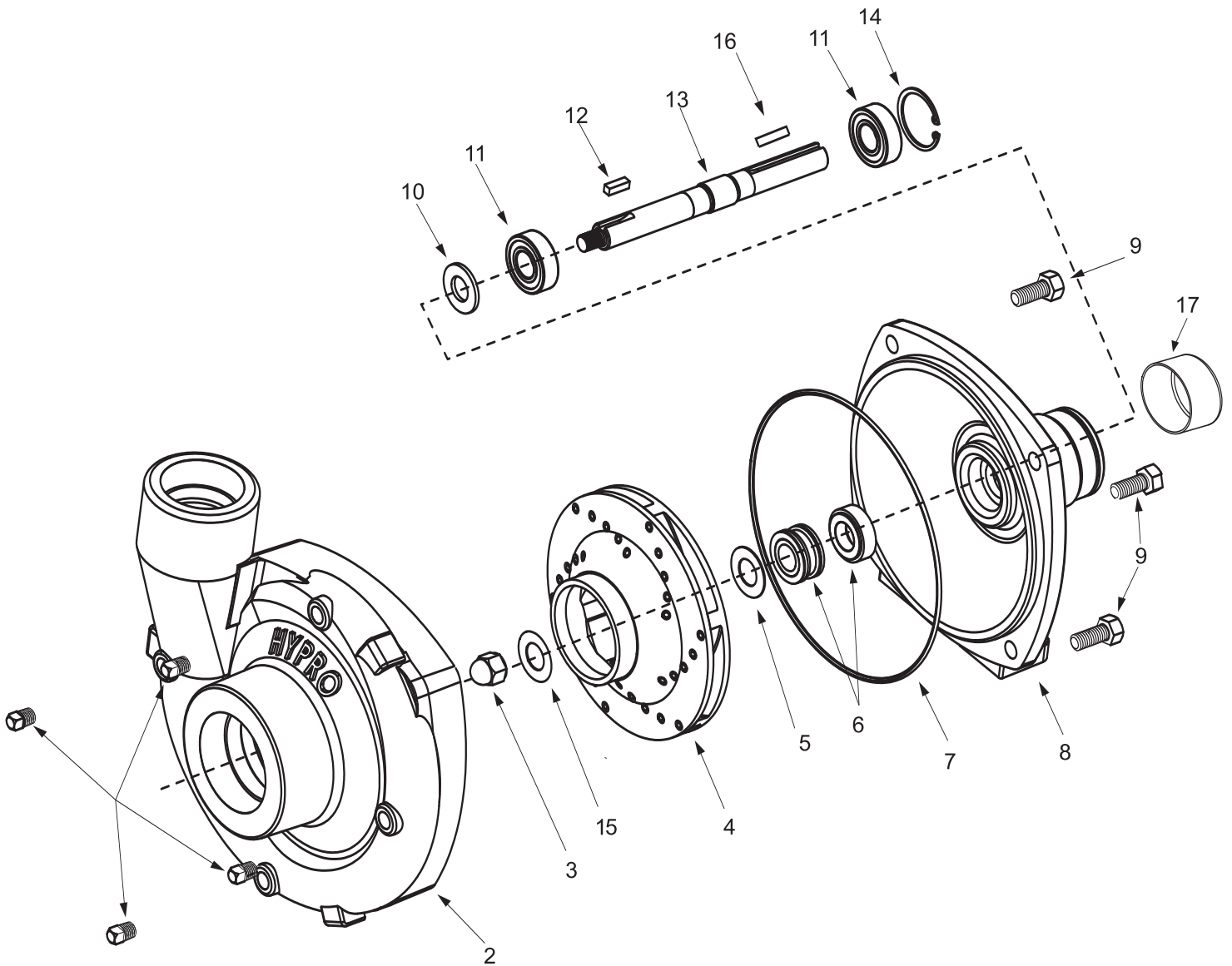


Model 9206C and 9206S



Seal Kit for 9206C
No. 3430-0332 consists of:
(1) Ref. 5 Gasket
(1) Ref. 6 Mechanical seal
(1) Ref. 7 O-Ring

Seal Kit for 9206S
No. 3430-0589 consists of:
(1) Ref. 6 Mechanical seal
(1) Ref. 7 O-Ring

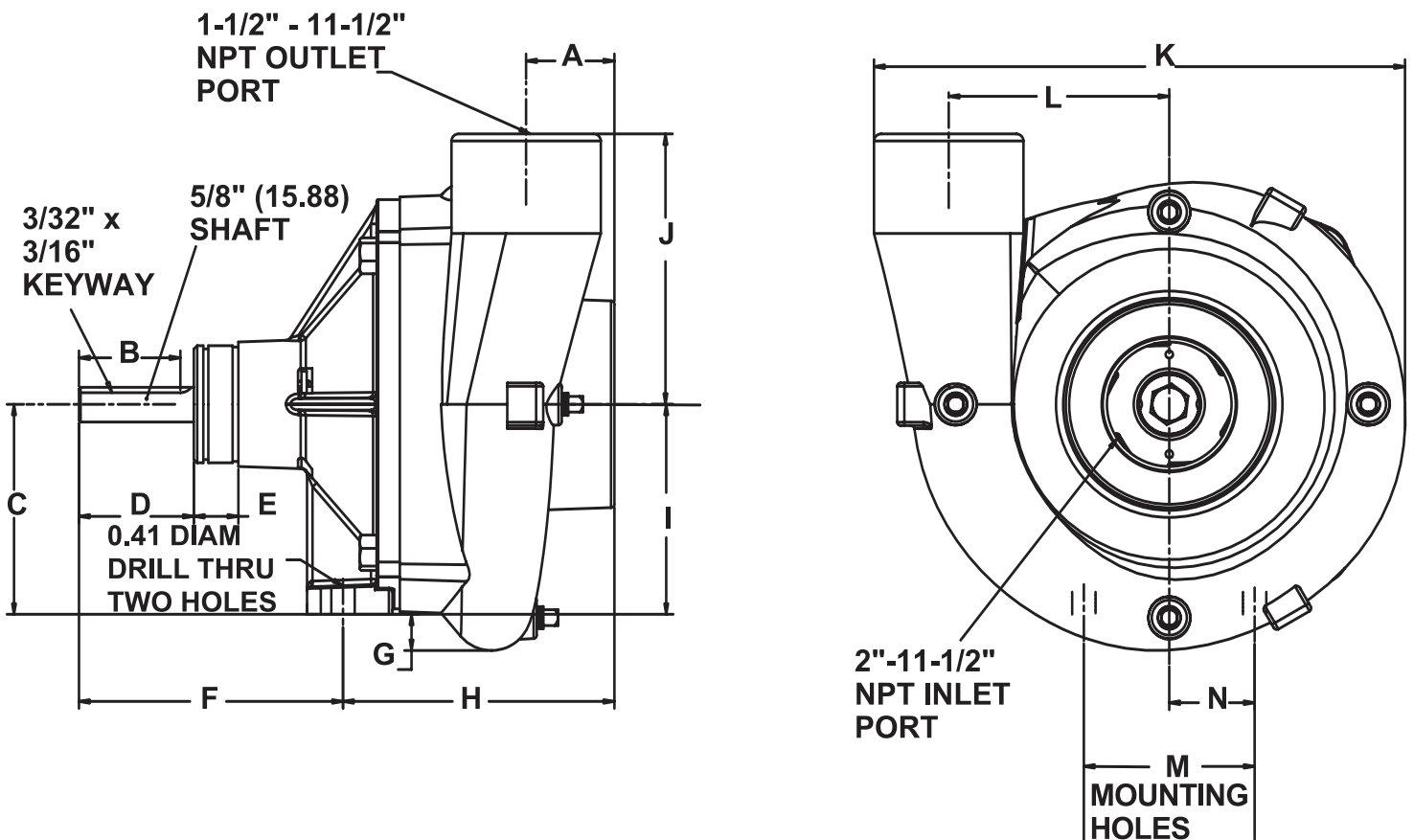
Note: When ordering parts, give quantity, part number, description and complete model number. Reference numbers are used ONLY to identify parts in the drawing and NOT to be used as order numbers.

Ref. No.	Qty. Req'd.	Part No.	Description
1	4	2406-0007	Pipe Plug 9206C
1	4	2406-0016	Pipe Plug 9206S
2	1	0154-9200C1	Cover 9206C
2	1	0154-9200S1	Cover 9206S
3	1	2253-0002	Impeller Nut 9206C
3	1	2253-0006	Impeller Nut 9206S
4	1	0401-9200P2	Nylon Impeller 9206C
4	1	0405-9200P2	Poly Impeller 9206S
5	1	1700-0100	Gasket (Cast iron only)
6	1	2120-0009	Mech. Seal 9206C
6	1	3430-0589	Silicon Carbide Seal 9206S
7	1	1720-0083	O-Ring
8	1	0750-9200C4	Mounting Flange 9206C

Ref. No.	Qty. Req'd.	Part No.	Description
8	1	0756-9200S	Mounting Flange 9206S
9	4	2210-0020	Screw Hex Head 9206C
9	4	2210-0125	Screw Hex Head 9206S
10	1	1410-0056	Slinger Ring
11	2	2000-0010	Bearing
12	1	1610-0053	Key 9206C
12	1	1610-0057	Key 9206S
13	1	0505-9200	Shaft
14	1	1820-0013	Retaining Ring
15	1	2270-0071	Washer
16	1	1610-0004	Key
17	1	2300-0025	Protective Cover

9206C 9206S	RPM	GPM at HP		GPM at HP		GPM at HP		GPM at HP		GPM at HP		GPM at HP		GPM at HP	
		10 PSI	20 PSI	30 PSI	40 PSI	50 PSI	60 PSI	70 PSI	80 PSI						
	2400	171	2.3	114	2.0										
	3600	226	7.0	226	7.1	226	7.5	196	7.3	143	6.1				
	4200	226	9.2	226	9.4	226	10.7	226	11.0	225	11.3	202	10.9	158	9.5

9206C 9206S	RPM	LPM at HP		LPM at HP		LPM at HP		LPM at HP		LPM at HP		LPM at HP		LPM at HP	
		0.7 BAR	1.4 BAR	2.1 BAR	2.8 BAR	3.4 BAR	4.1 BAR	4.8 BAR	5.5 BAR						
	2400	647	2.3	432	2.0										
	3600	856	7.0	856	7.1	856	7.5	742	7.3	541	6.1				
	4200	856	9.2	856	9.4	856	10.7	856	11.0	852	11.3	765	10.9	598	9.5



**9206
Dimensions**

	A	B	C	D	E	F	G	H	I	J	K	L	M	N
Inches	1.55	1.78	3.69	2.02	0.78	4.64	0.64	4.77	3.69	4.75	9.33	3.88	3	1.5
mm	39.4	45.2	93.7	51.3	19.9	117.8	16.2	121.1	93.7	120.7	237	98.4	76.2	38.1