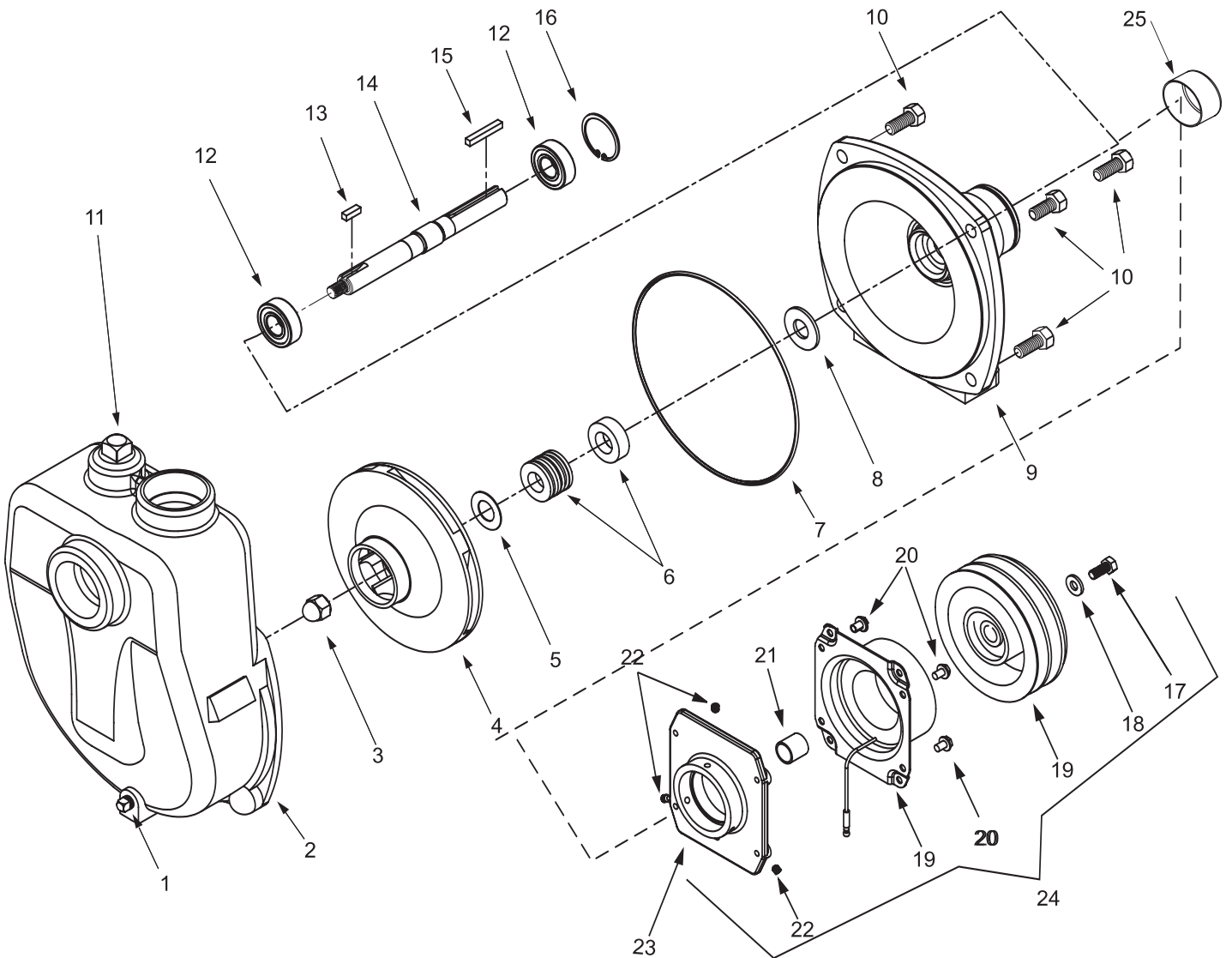


Models 9203C-SP and 9263C-C-SP



Standard Seal Kit Number
No 3430-0332 consists of:
(1) Ref. 5 Gasket
(1) Ref. 6 Mech. seal (Viton)
(1) Ref. 7 O-Ring

Silicon Carbide Seal Kit
No. 3430-0589 consists of:
(1) Ref. 6 Mechanical seal
(1) Ref. 7 O-Ring

Note: When ordering parts, give quantity, part number, description and complete model number. Reference numbers are used ONLY to identify parts in the drawing and NOT to be used as order numbers.

No.	Qty. Req'd.	Part No.	Description
1	1	2406-0007	Drain Plug
2	1	0150-9070C	Self Priming Chamber
3	1	2253-0002	Impeller Nut
4	1	0401-9100P	Impeller (Nylon)
5	1	1700-0100	Gasket (use with Buna and Viton only)
6	1	2120-0008	Mechanical Seal (Optional Buna-N)
6	1	2120-0009	Mechanical Seal (Standard Viton)
6	1	3430-0589	Mechanical Seal (Opt. Silicon Carbide)
7	1	1720-0083	O-Ring
8	1	1410-0056	Slinger Ring
9	1	0750-9200C3	Mounting Flange
10	4	2210-0020	Bolt
11	1	2406-0001	Priming Port Plug

Ref. No.	Qty. Req'd.	Part No.	Description
12	2	2000-0010	Ball Bearing
13	1	1610-0015	Key
14	1	0505-9200	Pump Shaft
15	1	1610-0004	Key
16	1	1820-0013	Bearing Retainer
17	1	2210-0003	Bolt
18	1	2270-0092	Retaining washer
19	1	2526-0012	Clutch (Model 9263C-C-SP)
20	4	N/A	Bolt (Part of Clutch Assy)
21	1	1410-0107	Spacer
22	3	2230-0001	Set Screw
23	1	0753-9200C	Mounting Bracket
24	1	3430-0592	Complete Clutch Kit
25	1	2300-0025	Protective Cover