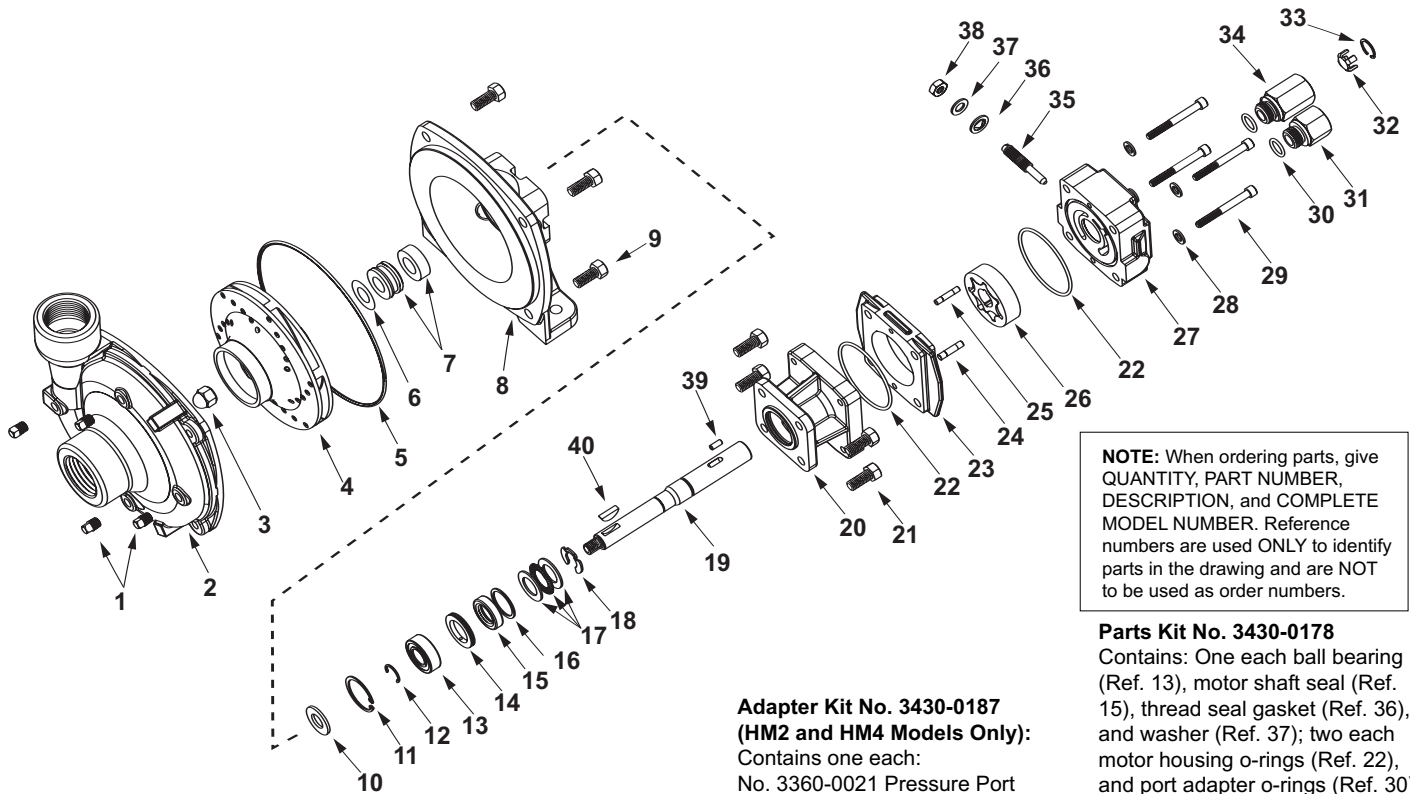


All 9302C and 9302S Series Pumps



NOTE: When ordering parts, give QUANTITY, PART NUMBER, DESCRIPTION, and COMPLETE MODEL NUMBER. Reference numbers are used ONLY to identify parts in the drawing and are NOT to be used as order numbers.

Repair Parts Kit No. 3430-0332

Contains: One o-ring (Ref. 5), one rubber gasket (Ref. 6), and one mechanical seal (Ref. 7).

Silicon Seal Kit No. 3430-0589

Contains one each: 1720-0083 o-ring (Ref. 5) and mechanical seal (silicon carbide) (Ref.7).

Adapter Kit No. 3430-0187 (HM2 and HM4 Models Only):

Contains one each:
 No. 3360-0021 Pressure Port Adapter
 No. 3373-0020 (Size #1)
 No. 3373-0021 (Size #2)
 No. 3373-0022 (Size #3).
 No. 1720-0108 Adapter O-ring and
 No. 1720-0105 Orifice O-ring (Qty 3)

Parts Kit No. 3430-0178

Contains: One each ball bearing (Ref. 13), motor shaft seal (Ref. 15), thread seal gasket (Ref. 36), and washer (Ref. 37); two each motor housing o-rings (Ref. 22), and port adapter o-rings (Ref. 30).

Hydraulic Motor Part Nos.

2500-0009C (HM1C Models)
 2500-0010C (HM2C Models)
 2500-0012C (HM4C Models)

Ref. No.	Qty. Req'd.	Part No.	Description
1	4	2406-0007	Drain/Vent Plug (9302C)
1	4	2406-0016	Drain/Vent Plug (9302S)
2	1	0150-9200C	Pump Casing (9302C)
2	1	0156-9200S	Pump Casing (Model 9302S)
3	1	2253-0002	Impeller Nut (9302C)
3	1	2253-0006	Impeller Nut (Model 9302S)
4	1	0401-9100P	Impeller (Nyglass, std. 9302C)
4	1	0402-9100P	Impeller (Optional Polypropylene) (Std 9302S)
5	1	1720-0083	O-ring
6	1	1700-0100	Rubber Gasket (9302C)
7	1	2120-0009	Mechanical Seal (Viton/Ceramic) (Std 9302C)
7	1	3430-0589	Mechanical Seal (Silicon Carbide) (9302S)
8	1	0750-9300C	Mounting Flange (9302C)
8	1	0756-9300S	Mounting Flange (Model 9302S)
9	4	2210-0020	Hex Head Cap Screw (9302C)
9	4	2210-0125	Hex Head Cap Screw (Model 9302S)
10	1	1410-0056	Slinger Ring
11	1	1820-0013	Retaining Ring
12	1	1810-0014	Snap Ring
13	1	2000-0010	Ball Bearing
14	1	1410-0073	Spacer
15	1	2104-0005	Shaft Seal
16	1	1410-0074	Seal Spacer
17	1	2029-0014	Thrust Bearing Assembly—Consists of: (1) Thrust Bearing & (2) Thrust Brg. Races
18	1	1810-0026	Snap Ring
19	1	0509-2500	Shaft (HM2C & HM4C Models) 6 3/4" Long
19	1	0511-2501	Shaft (HM1C) 7" Long
20	1	0151-2500C	Motor Body (Includes Main Bearing)

Ref. No.	Qty. Req'd.	Part No.	Description
21	4	2210-0005	Hex Head Cap Screw
22	2	1720-0110	O-ring
23	1	0701-2500C1	Gerotor Housing (HM2C Models) 1/4" Wide
23	1	0700-2500C1	Gerotor Housing (HM1C Models) 1/2" Wide
23	1	0703-2500C1	Gerotor Housing (HM4C Models) 5/16" Wide
24	1	1600-0045	Dowel Pin (HM2C & HM4C Models)
24	1	1600-0044	Dowel Pin (HM1C)
25	1	1600-0042	Dowel Pin (HM2C & HM4C Models)
25	1	1600-0037	Dowel Pin (HM1C)
26	1	3900-0022	Gerotor (HM1C Models)
26	1	3900-0023	Gerotor (HM2C Models)
26	1	3900-0025	Gerotor (HM4C Models)
27	1	0251-2500C2	Motor End Plate (Includes Main Bearing)
28	4	2270-0039	Washer
29	4	2220-0045	Cap Screw (HM2C & HM4C Models)
29	4	2220-0021	Cap Screw (HM1C)
30	2	1720-0108	O-ring
31	1	3360-0021	Pressure Port Adapter
32	1	3260-0068	Poppet
33	1	1820-0038	Retaining Ring
34	1	3320-0049	Tank Port Adapter
35	1	3220-0029	Bypass Adjusting Screw
36	1	1700-0047	Gasket
37	1	2270-0027	Washer
38	1	2250-0038	Lock Nut
39	1	1610-0032	Roll Pin (HM2C & HM4C Models)
39	1	1610-0031	Roll Pin (HM1C)
40	1	1610-0012	Woodruff Key(9302C)
40	1	04432	S.S. Woodruff Key (Model 9302S)