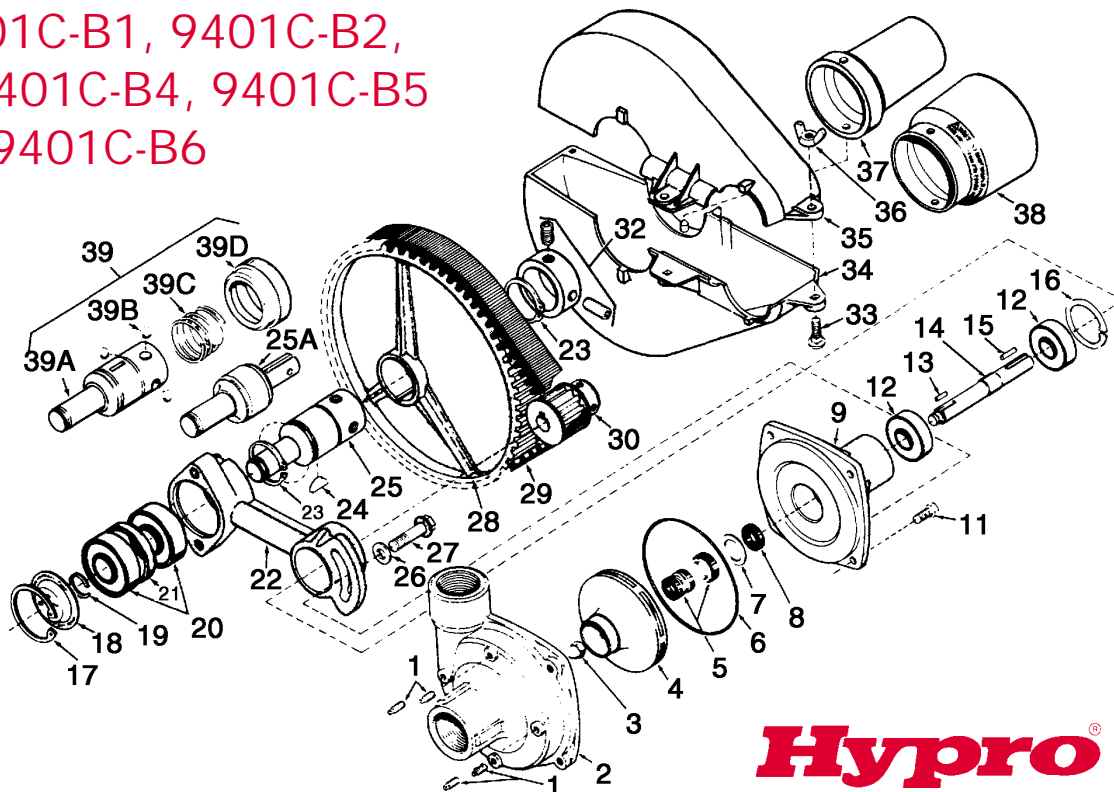


Models 9401C-B1, 9401C-B2,  
9401C-B3, 9401C-B4, 9401C-B5  
& 9401C-B6



**Hypro**<sup>®</sup>

Ref. No.	Qty. Req.	Part Number	Description
1	4	2406-0007	Drain plug
2	1	0150-9200C	Pump casing
3	1	2253-0002	Impeller nut
4	1	0403-9000P	Impeller
5	1	2120-0008	Mechanical seal (optional buna-n)
6	1	1720-0083	O-ring
7	1	1830-0040	Seal Retainer
8	1	1410-0056	Slinger ring
9	1	0750-9400C	Mounting flange
11	4	2210-0020	Bolt
12	2	2000-0004	Ball bearing
13	1	1610-0015	Key
14	1	0502-9400	Pump shaft
15	1	1610-0004	Key
16	1	1820-0013	Bearing retainer
17	1	1820-0032	Retainer
18	1	0600-9400	Nameplate for model 9401C-B1
18	1	0601-9400	Nameplate for model 9401C-B2
18	1	0605-9400	Nameplate for model 9401C-B3
18	1	0607-9400	Nameplate for model 9401C-B4
18	1	0609-9400	Nameplate for model 9401C-B5
18	1	0611-9400	Nameplate for model 9401C-B6
19	1	1810-0012	Inner retaining ring
20	2	2001-0006	Bearing for large pulley assy.
21	1	1410-0081	Spacer
22	1	0700-9400D	Pulley adjusting arm
23	2	1810-0031	Retaining ring
23	2	1810-0032	Retaining ring
24	1	1610-0033	Woodruff key
24	1	1610-0034	Woodruff key (9401C-B3 only)
25	1	0550-9400F2	Shaft, driver pulley (9401C-B1)
25	1	0551-9400F1	Shaft, driver pulley (9401C-B2)
25	1	0550-1322F3	Shaft, driver pulley (9401C-B1)
25A	1	0501-9400	Shaft, driver pulley (9401C-B4 & 9401C-B5)

Ref. No.	Qty. Req.	Part Number	Description
26	1	2270-0004	Washer
27	1	2210-0079	Locking bolt
28	1	3115-0013	Driver pulley (models 9401C-B1, 9401C-B4 & 9401C-B6)
28	1	3115-0014	Driver pulley (models 9401C-B2 & 9401C-B5)
28	1	3115-0015	Driver pulley (models 9401C-B3)
29	1	3103-0009	Belt (540 RPM)
29	1	3103-0010	Belt (1000 RPM)
30	1	3115-0012	Driven pulley (models 9401C-B1, 9401C-B2, 9401C-B3 & 9410C-B6)
30	1	3115-0017	Driven pulley (models 9401C-B4 & 9401C-B5)
32	1	3430-0207	Locking collar kit (models 9401C-B1 & 9401C-B2)
32	1	3430-0190	Locking collar kit (models 9401C-B1 & 9401C-B2)
33	3	2240-0017	Carriage bolt
34	1	2840-0032	Right shield half (540 RPM)
35	1	2840-0031	Left shield half (540 RPM)
34	1	2840-0039	Right shield half (1000 RPM)
35	1	2840-0038	Left shield half (1000 RPM)
36	3	2252-0002	Wing nut
37	1	2840-003	PTO shaft shield (models 9401C-B1, 9401C-B2, 9401C-B3 & 9410C-B6)
38	1	2840-0036	PTO shaft shield (models 9401C-B4 & 9401C-B5)
39A	1	0550-9400F3	Quick coupler shaft (9401C-B6)
39B	3	3250-0004	Balls
39C	1	1900-0115	Spring (9401C-B6)
39D	1	1400-0021	Sleeve (9401C-B6)