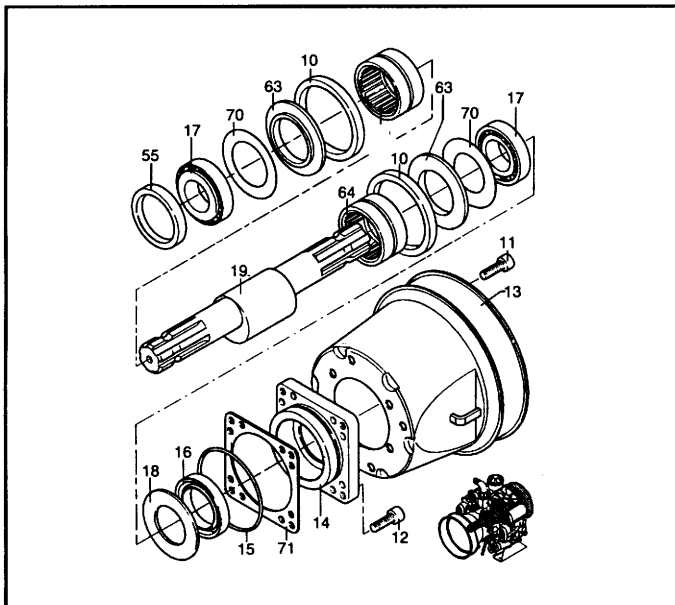
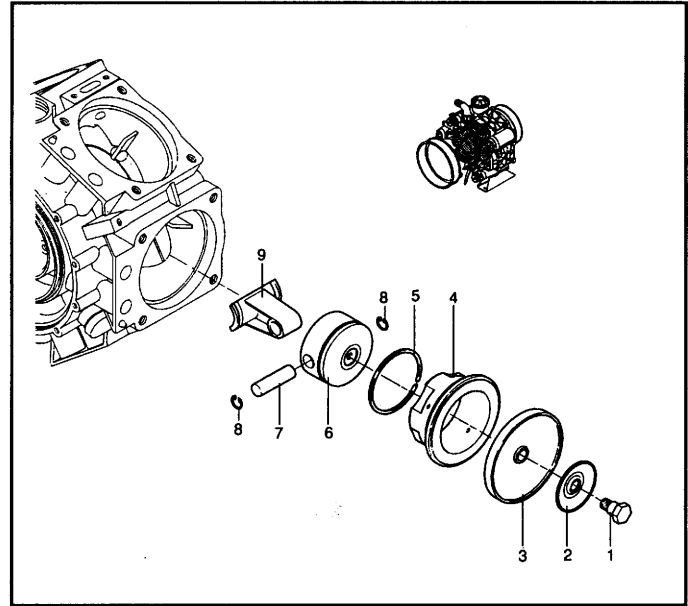
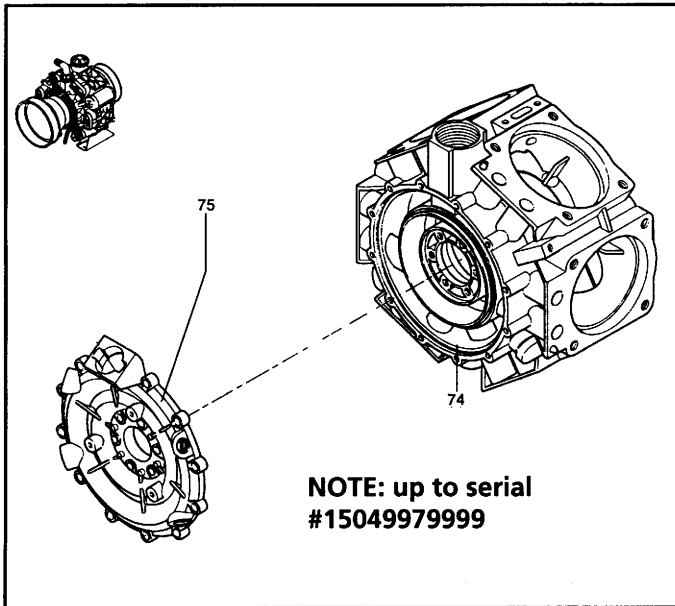
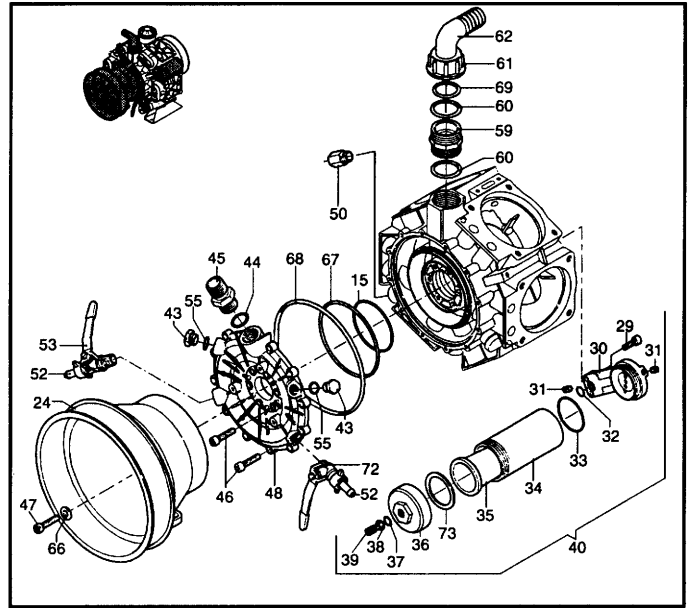
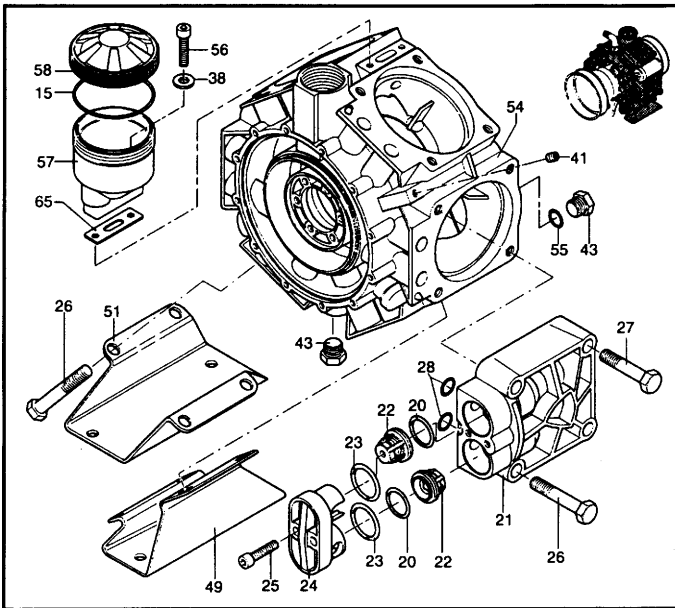


Model 9910-D1516 *Hypro*

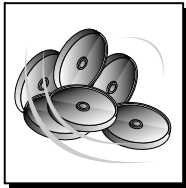


Model 9910-D1516

REF. NO.	PART NUMBER	DESCRIPTION	QTY. REQ'D.
1	9910-580360	Retaining bolt	6
2	9910-1040180	Diaphragm retainer washer	6
3	9910-1040080	Diaphragm, Desmopan (Std.)	6
3A	9910-1040081	Diaphragm, Buna-N (Opt.)	6
4	9910-1500080	Piston sleeve	6
5	9910-650190	Piston Ring	6
6	9910-1040120	Piston	6
7	9910-1040070	Connecting pin	6
8	9910-1040270	Snap ring	12
9	9910-1500160	Connecting Rod	6
10	9910-1500181	Retaining ring	2
11	9910-820670	Bolt	4
12	9910-180030	Bolt	8
13	9910-1500470	Shield	1
14	9910-1400030	Flange	1
15	9910-1040060	O-ring	3
16	9910-160740	Oil seal	1
17	9910-1500290	Bearing	2
18	9910-1500310	Spacer	1
19	9910-1400310	Crankshaft	1
20	9910-620030	O-ring	12
21	9910-1040551	Right Head	3
21	9910-1040552	Left Head	3
22	9910-1409050	Valve assembly	12
23	9910-540361	O-ring	12
24	9910-1300190	Valve retainer	6
25	9910-620610	Bolt	12
26	9910-1500230	Bolt	20
27	9910-1500240	Bolt	4
28	9910-770571	O-ring	12
29	9910-320360	Bolt	2
30	9910-1040420	Mount	1
31	9910-1040470	Plug	2
32	9910-640070	O-ring	1
33	9910-540360	O-ring	1
34	9910-1040220	Damper body	1
35	9910-1040240	Diaphragm	1
36	9910-1040230	Cap	1

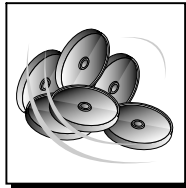
REF. NO.	PART NUMBER	DESCRIPTION	QTY. REQ'D
37	9910-650542	O-ring	1
38	9910-380241	Washer	3
39	9910-550300	Air valve	1
40	9910-kit1525	Pulsation damper assembly	1
41	9910-770070	Plug	1
42	9910-1040050	Oil seal	1
43	9910-880530	Plug	2
44	9910-390180	O-ring	1
45	9910-850740	Threaded adapter	1
46	9910-540290	Bolt	18
47	9910-1343510	Bolt	3
48	9910-1840140	Manifold	1
49	9910-1500040	Right base	1
50	2406-0023	Plug	1
51	9910-1500050	Left base	1
52	9910-110130	Hose barb 1/2"	2
53	9910-130491	Outlet ball valve w/o barb	1
54	9910-1500480	Pump body	1
55	9910-740290	O-ring	3
56	9910-680350	Bolt	2
57	9910-750030	Oil reservoir	1
58	9910-1800060	Black cap	1
59	9910-540530	Threaded adapter	1
60	9910-250310	O-ring	2
61	9910-540540	Hose barb nut	1
62	9910-540550	Hose barb	1
63	9910-1500320	O-ring	2
64	9910-1500170	Bearing	2
65	9910-750040	Gasket	1
66	9910-881710	Washer	3
67	9910-851360	O-ring	1
68	9910-1400290	O-ring	1
69	9910-390210	O-ring	1
70	9910-1400090	Spacer	2
71	9910-1500330	Spacer (0.1 mm)	1
71	9910-1500340	Spacer (0.2 mm)	1
72	9910-130492	Outlet ball valve w/barb	1
73	9910-1041140	Dampener washer	1
74	9910-1500011	Pump Body	1
75	9910-1400280	Manifold	1

Replacement Parts Kits



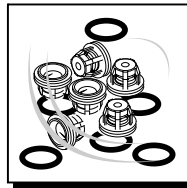
9910-Kit 2113

Desmopan diaphragms	
Ref. No.	Qty.
3	6



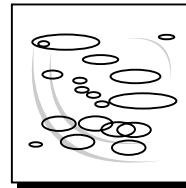
9910-Kit 2052

Buna diaphragms	
Ref. No.	Qty.
3A	6



9910-Kit 2053

Valves	
Ref. No.	Qty.
20	12
22	12
23	12



9910-Kit 2349

O-Rings			
Ref. No.	Qty.	Ref.	Qty.
15	3	55	3
20	12	60	2
23	12	67	1
28	12	68	1
32	1	69	1
33	1		
44	1		