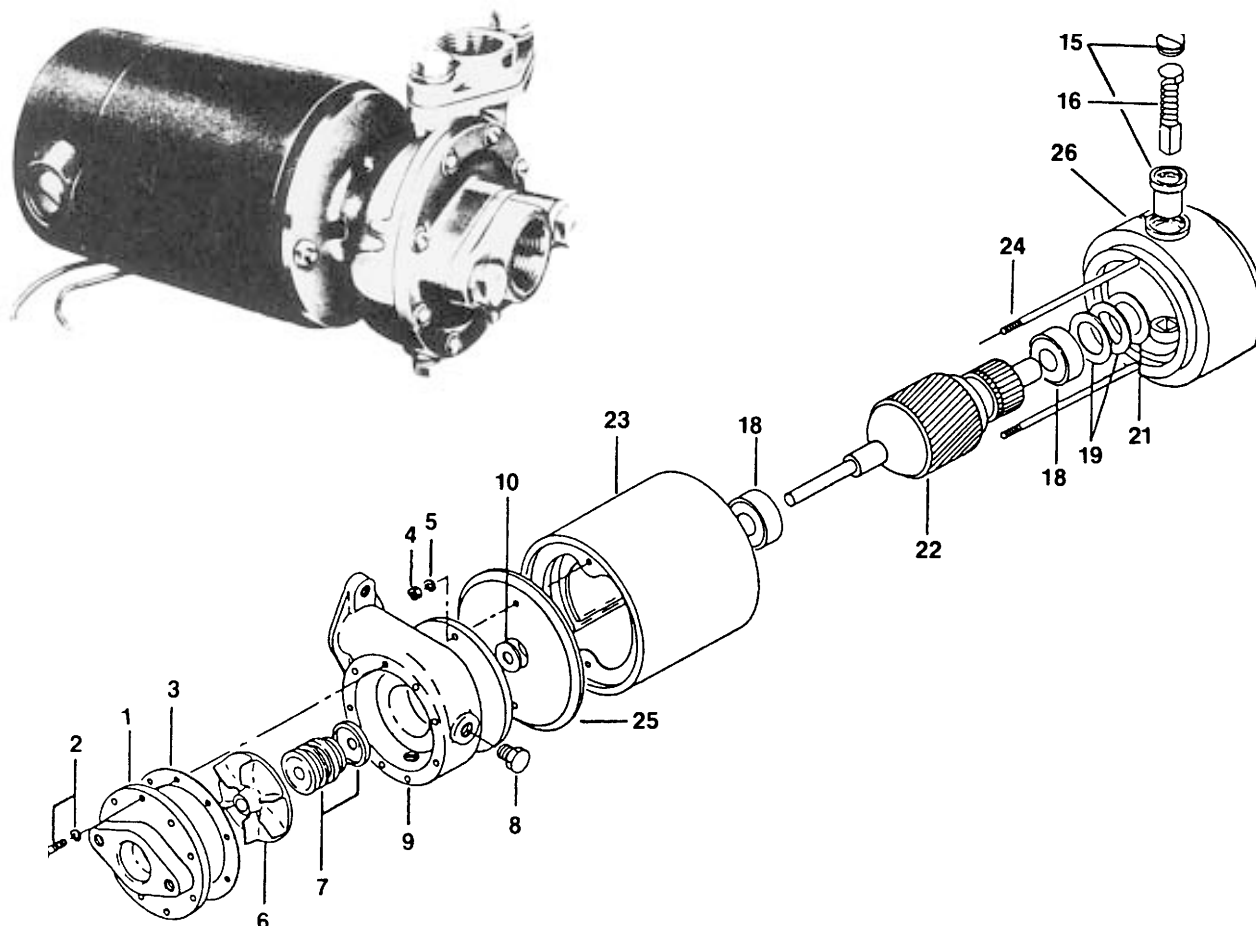




Bus Pump RTS Circulator Pump



Item No.	Part No.	Description	Qty. 12-24V Bronze	Item No.	Part No.	Description	Qty. 12-24V Bronze
1	21634	Cover	1	18	21591	Bearings - Included w/ Armature Assy.	2
2	21625	Screw & Washer Assy	8	19	21596	Thrust Washer	UAR
3	21626	Cover Gasket	1	21	21595	Spring Washer	1
4	21543	Case Nut	2	22	22882	12V Armature Assy.	1
5	21621	Case Lockwasher	2	23	22885	12V Stator	1
6	21587	Impeller	1	23	22886	24V Stator	1
7	21588	Seal	1	24	21608	Case Stud	2
8	21185	Drain Plug	2	25	21607	Rear Head Cover	1
9	21586	Body	1	26	27554	Front Brush Head Cover Includes Items 15	1
10	21627	Slinger	1		23278	12V Motor	
15	27514	Brush Cap & Tube	2		23279	24V Motor	
16	24853	24V Brush & Spring	2				
16	21594	12V Brush & Spring	2				