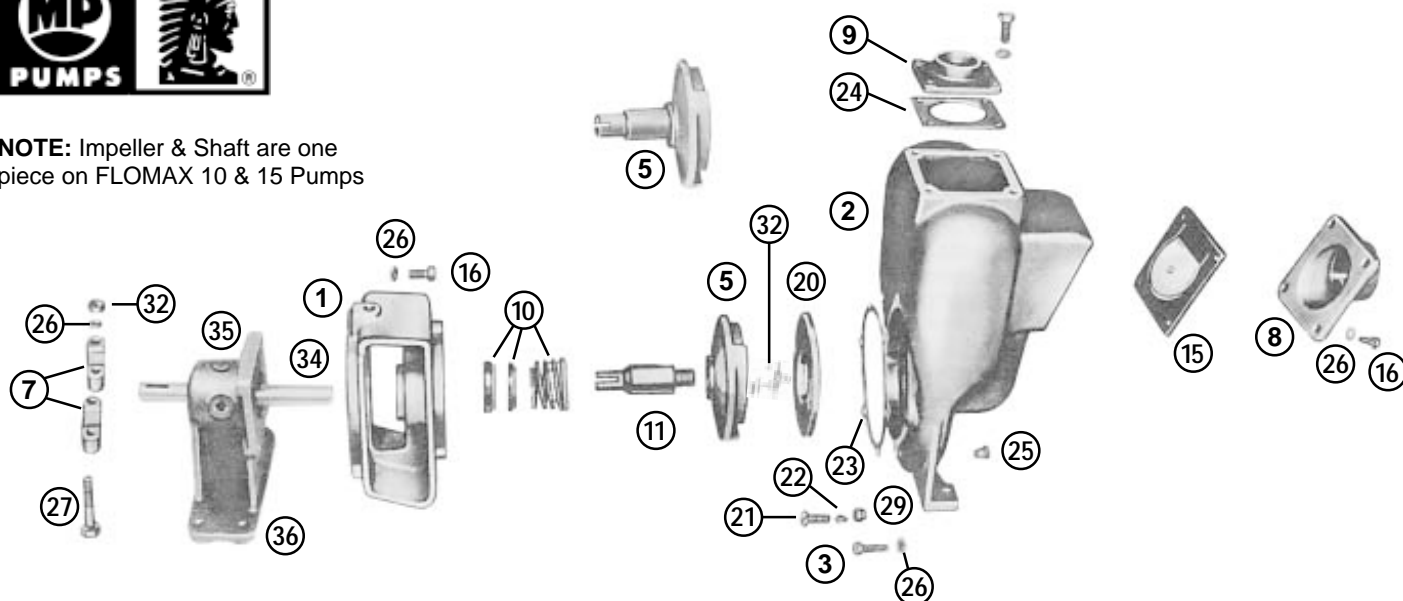


## Composite Parts List

**Flomax 10 & 15****Cast Iron Models Only**

**NOTE:** Impeller & Shaft are one piece on FLOMAX 10 & 15 Pumps

**Flomax 10 & 15**

Ref. No.	Part No.	Description
1	<b>MX 22348</b>	Adapter, Belt Pedestal or Direct Drive
	<b>MX 22348</b>	Adapter for 8 HP Briggs, Honda & Wisc.
	<b>MX 26245</b>	Adapter for 8 HP Tecumseh
2	<b>MX 23035</b>	Housing Assy, Cast Iron
3	<b>MX 21260</b>	Capscrew
5	<b>MX 23038</b>	<b>Impeller with Shaft (one piece)</b>
7	<b>MX 23039</b>	Impeller Clamp
8	<b>MX 22369</b>	Inlet Flange 2"
	<b>MX 22468</b>	Inlet Flange 3"
9	<b>MX 22372</b>	Outlet Flange 2"
	<b>MX 22471</b>	Outlet Flange 3"
10	<b>MX 22361</b>	<b>Viton Seal Assembly</b>
	<b>MX 26461</b>	Severe Duty Seal
11	<b>See Ref. No. 5</b>	<b>Drive Sleeve &amp; Impeller (one piece)</b>
15	<b>MX 26100</b>	EPDM Flapper
16	<b>MX 21291</b>	Capscrew
20	<b>MX 22376</b>	<b>Wear Plate</b>
21	<b>MX 21262</b>	Flat Head Screw
22	<b>MX 21271</b>	Annular Gasket
23	<b>MX 22240</b>	<b>Gasket</b>
24	<b>MX 26101</b>	EPDM Outlet Gasket
25	<b>MX 21267</b>	Pipe Plug
26	<b>MX 21266</b>	Lock Washer
27	<b>MX 21269</b>	Capscrew
29	<b>MX 21263</b>	Acorn Nut
34	<b>MX 26164</b>	Pedestal Assy
35	<b>MX 22425</b>	Woodruff Key
<b>Pedestal Assembly</b>		
36	<b>MX 26164</b>	Pedestal Assembly
	<b>MX 26161</b>	Pedestal Body
	<b>MX 26162</b>	Shaft - 1"
	<b>MX 22035</b>	Snap Ring
	<b>MX 25474</b>	Ball Bearing
	<b>MX 22566</b>	<b>OVERHAUL KIT – Includes all Part Numbers in Bold</b>