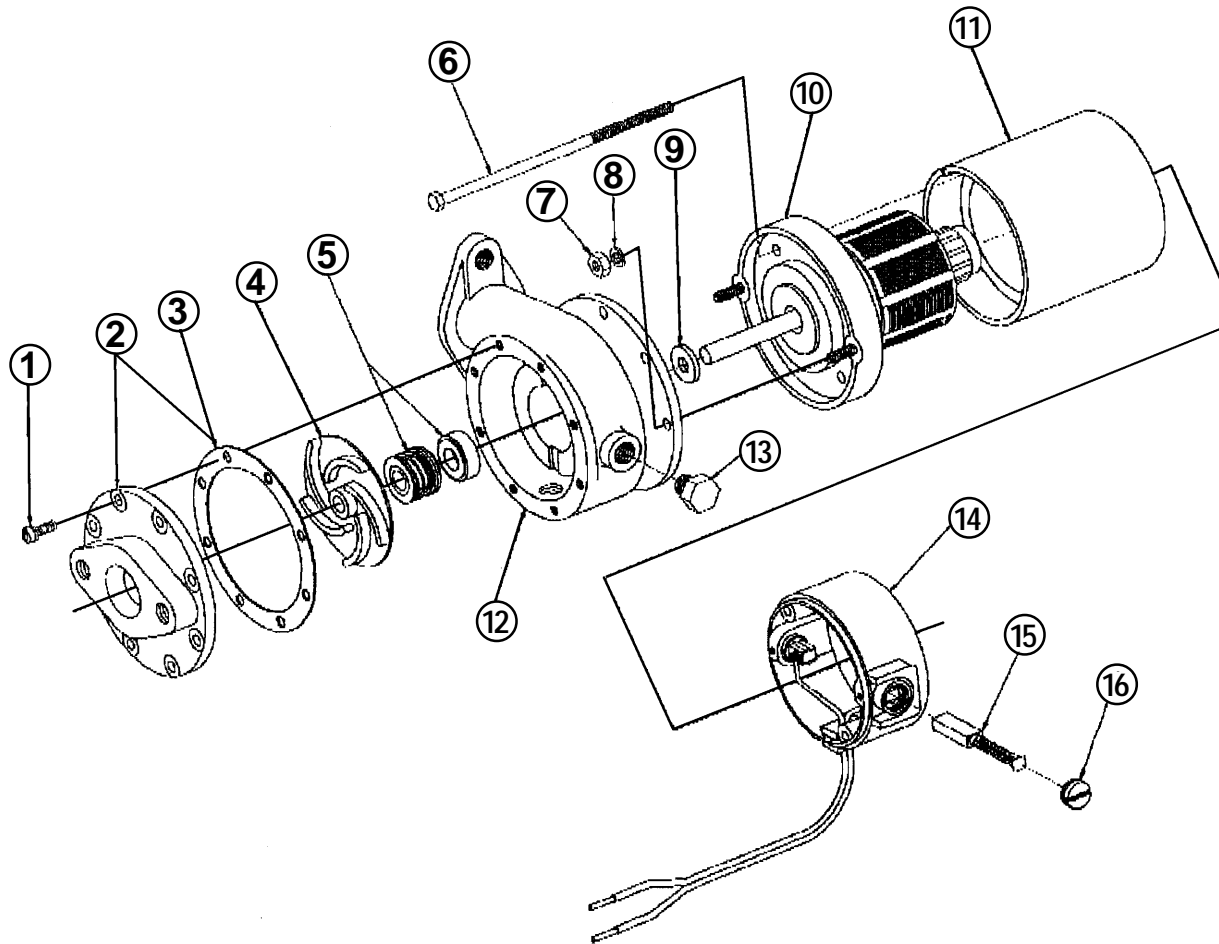




Phase I Transit Style Circulator/Booster



Item No.	Part No.	Description	Qty.
MOTOR			
	28538	Motor Assembly	1
11	28883	Stator	1
14	28884	End Frame Assembly	1
10	28882	Armature Adaptor Assy.	1
15	28837	Brush Assy.	2
16	28838	Cap (Brush Holder)	2
6		Casebolt 10-32 x 5	2
7	21543	10-32 Hex Nut	2
8	21621	# 10 Lock Washer	2
IMPELLER			
4	21587	Impeller - Brass	1

Item No.	Part No.	Description	Qty.
HOUSING			
12	21586	Body - Brass	1
2	21634	Cover - Brass	1
1	21625	Screw & Washer Assy.	8
3	21626	Gasket	1
9	21627	Slinger	1
13	21185	Drain Plug 1/8" NPT Brass	2
SEAL			
5	28581	Seal Assy. Silicon Carbide/Carbon	1