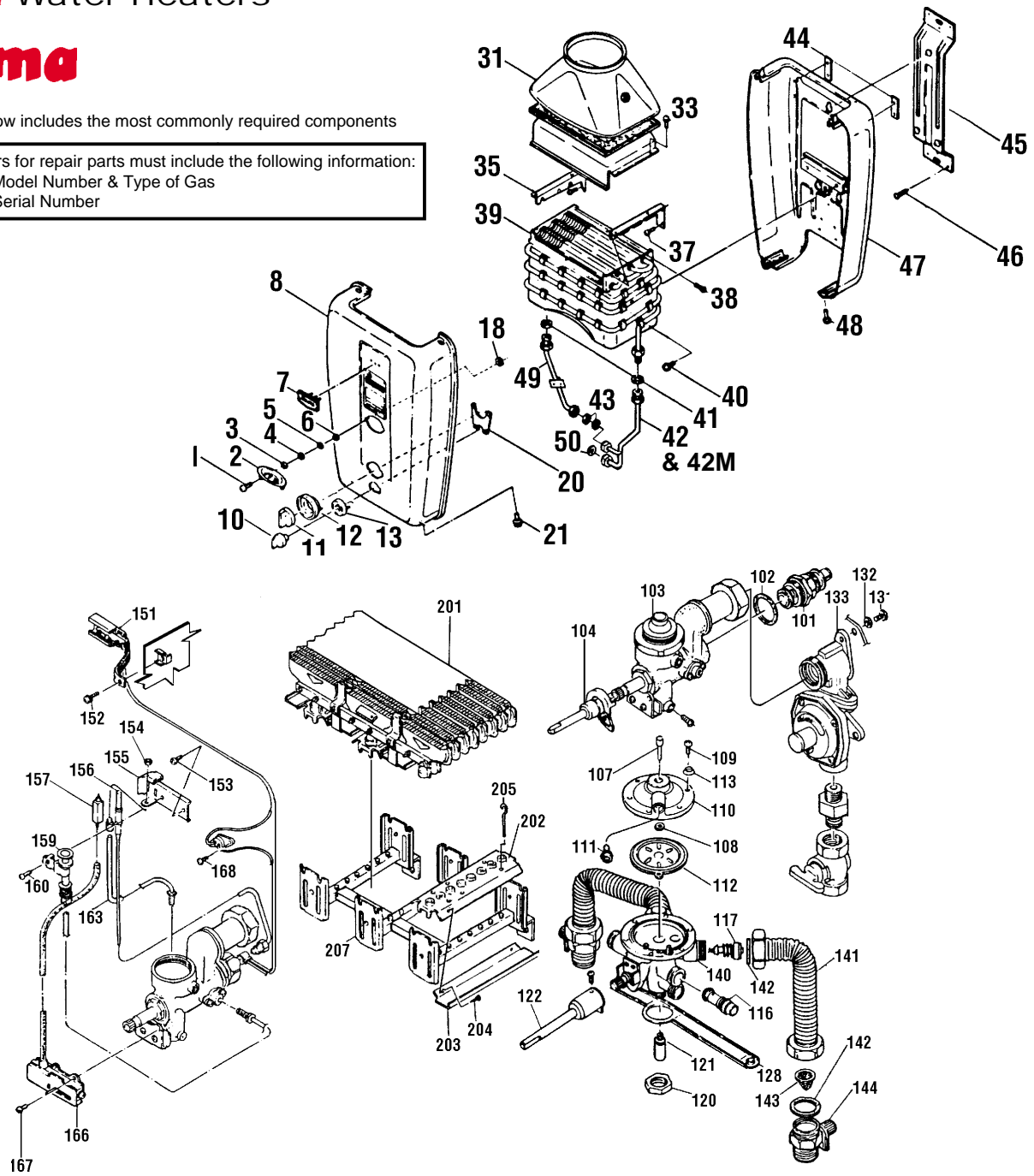


Paloma Water Heaters



The parts list below includes the most commonly required components

NOTE: All orders for repair parts must include the following information:
 1. Model Number & Type of Gas
 2. Serial Number



Part-NO	Description	For Model Number
PI 10	Temperature Adj. Knob	12/16/24 A or M
PI 11	Gas Knob	12/16/24 A or M
PI 21	Screw Knob	16A, 16M, 24A, 24M
PI 39-PH16	Heat Exchanger	16A, 16M
PI 39-PH24	Heat Exchanger	24A, 24M
PI 41	Packing, pkg of 10	16A, 16M, 24A, 24M
PI 42	Joint Pipe	24A
PI 42M	Joint Pipe w/o TLD Plate	24M
PI 43L	Left Tube packing, pkg of 10	24M
PI 43R	Right Tube packing, pkg of 10	24M
PI 45	Wall Bracket	PH16, PH24
PI 49	Joint Pipe w/TLD Plate	24M
PI 49M	Joint Pipe	PH24M
PI 50	Packing, pkg of 10	24M
PI 101-16M	Magnetic Safety Valve	12M, 16M, 24M
PI 101-24A	Magnetic Safety Valve	24A, old
PI 101-24N	Magnetic Safety Valve	12A, 16A, 24A
PI 103	Gas Control Valve	24M- Natural Gas
PI 105	Screws, pkg of 5	All
PI 107	Spindle	12M, 16M, 24M
PI 107A	Spindle	16A, 24A
PI 108	O-ring, pkg of 5	16A, 24A
PI 108M	O-ring, pkg of 5	12A, 12M, 16M, 24M
PI 109	Screws, pkg of 6	All
PI 110M	Water Control Case	24M
PI 111	Slow Ignition Valve	24A, 24M

Part-NO	Description	For Model Number
PI 112	Diaphragm	16A, 24A
PI 112-2M	Diaphragm	1985-1988
PI 112-12M-2	Diaphragm	PH12M, 1988+
PI 112-16M	Diaphragm	16M, 1985-89
PI 112-16M-2	Diaphragm	16M, 1990+
PI 112-24M	Diaphragm	24M
PI 116-24A	Venturi Tube	24A
PI 116-24M	Venturi Tube	12M, 24M
PI 117	Water Regulator Valve	24A
PI 117M	Water Regulator Valve	PH24M
PI 121	Drain Valve	24 A or M
PI 133	Gas Pressure Regulator	24M
PI 141	Flexible Tube	All units
PI 142	Packing, pkg of 10	All units
PI 143	Water Filter	24M
PI 144	Connector	24A
PI 144M	Connector	24M
PI 151	Overheat Limiter	16A, 16M, 24A, 24M
PI 156	Thermocouple	16A, 16M, 24A, 24M
PI 157A	Electrode	24A
PI 159L	Pilot Burner	PH24M, LP Gas
PI 159N	Pilot Burner	PH24M, Natural Gas
PI 163	Sub-Pilot Burner	24M Natural Gas
PI 163P	Sub-Pilot Burner	PH24MDP
PI 166	Electric Ignition	All units
PI 207	Orifice Holder	24M Natural Gas