

RapidReel®

TRITON

**Professional Garden
Hose Reels**

2-Wheel Cart Reel
Model GH164-CT



Assembly Instructions

RapidReel® TRITON

THANK YOU for
your purchase.

WARRANTY REGIS- TRATION

Please take a few
moments to secure your
10 year warranty by registering online.

www.rapidreel.com/pr.aspx

No Leak



**10 YEAR
GUARANTEE**

10 Year Warranty

Coverage

Rapid-Reel® and Reel Quick, Inc. (collectively here after referred to as the "warrantor"), guarantees this hose reel, components and parts, unless otherwise specified, to be free from defect, malfunction or failure in material, or workmanship, under normal use and service, for a period of 10 years (240 months). Warranty period starts from original invoice date.

Hose

Hose supplied by warrantor carries a warranty of sixty (60) days from original invoice date of purchase. Hose is selected from reliable commercial sources and is recommended for application on the basis of data supplied by the manufacturer.

Exemptions

Warranty does not cover leaking due to damage caused by the use of acid, harsh chemicals or mineral deposits. Warranty does not apply when products are used in excess of their rated capacities and design functions or under abnormal conditions. The effects of corrosion, and normal wear and tear are specifically excluded from this warranty. This warranty does not cover damage which occurs in shipment or failures which are caused by products not supplied by the warrantor or failures which result from accidents, mishandling, faulty installation, freezing, misuse or misapplication, abuse or neglect. Warranty is void if the product or any part thereof has been tampered with, altered or repaired by anyone other than warrantor or damage that is attributable to acts of God. The warrantor covers the replacement or credit of defective parts only and does not allow for field labor charges for removal, installation, analysis or travel expenses. In no event shall the warrantor or its suppliers be liable for any damages, whatsoever, arising out of the use of or inability to use this product. (Some states do not allow the exclusion of limitation of incidental or consequential damages, so the above limitation or exclusion may not apply to you). The warrantor and its suppliers disclaim all other expressed or implied warranties. Some states do not allow limitations on how long an implied warranty lasts, so the above limitation may not apply to you. This warranty gives you specific legal rights, and you may also have other rights which vary from state to state.

Questions? Problems? Missing Parts?



DO NOT contact or return
this item to the retailer.

Seek factory assistance using the
information below.

1-866-523-2363

(toll free) MON- FRI, 8AM to 5PM (CST)

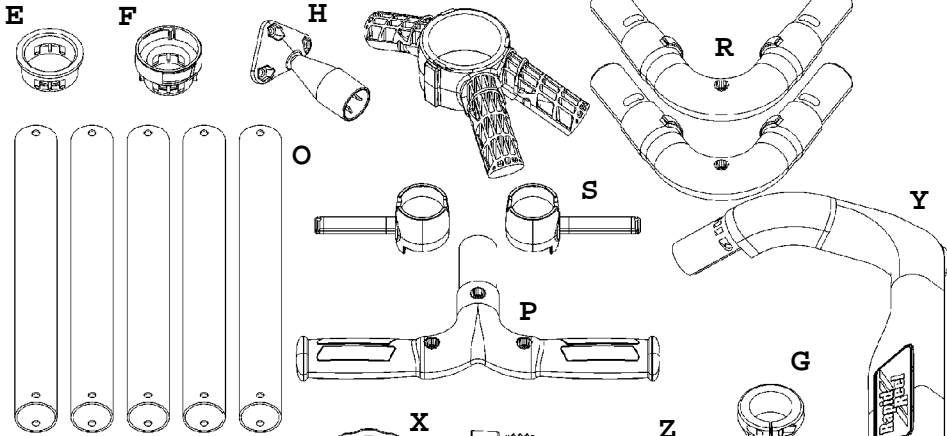
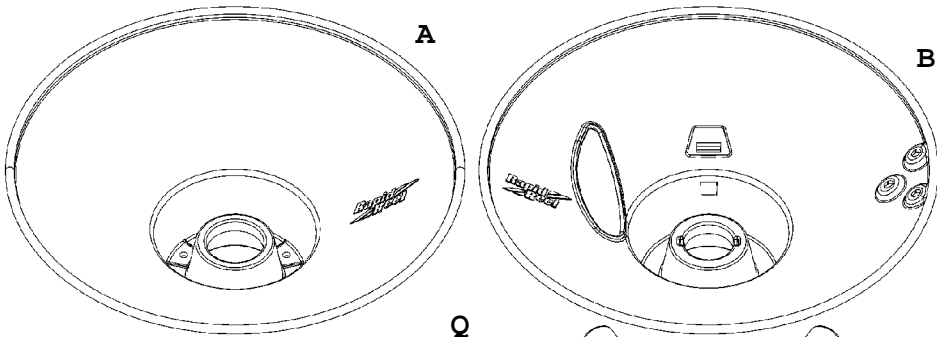
E-MAIL: customerservice@rapidreel.com
MON- FRI, 8AM to 5PM (CST)

ONLINE: www.rapidreel.com
24/7/365

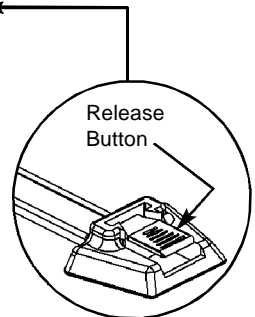
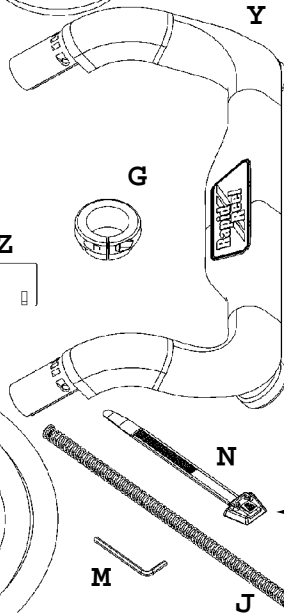
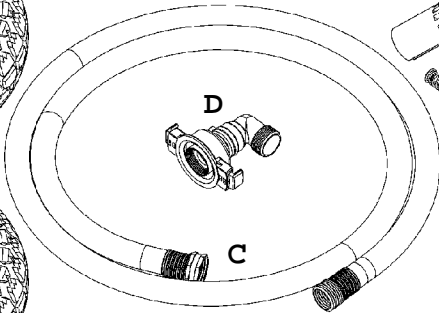
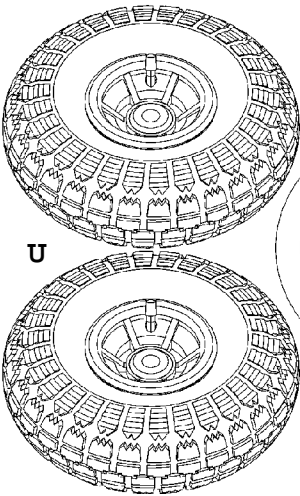
Contents

Version 0207

Ref.	Part #	Qty.	Description
A	0.4501.026	1	Back Flange
B	0.4501.025	1	Front Flange
C	0.4301.130	1	Inlet Hose
D	0.2005.018	1	Swivel
E	0.4202.037	1	Back Bushing
F	0.4202.036	1	Front Bushing
G	0.5001.166	1	Adjustable Brake
H	0.5001.165	1	Crank Handle
I	0.4102.014	3	Nylon Insert Nut
J	0.4209.019	1	Kink-Free Spring
K	0.4101.056	3	5/8" Phillips Screw
L	0.4102.017	13	1/4" Serrated Nut
M	0.4209.018	1	Hex Key
N	0.4202.032	1	Hose Strap
O	0.4501.030	5	Frame Tube
P	0.5001.215	1	T-Handle
Q	0.4501.032	1	Frame Wye
R	0.5001.216	2	Elbow Assembly
S	0.4501.034	2	Tire Spindle
T	0.4101.066	10	1-3/4" Tube Screw
U	0.4202.051	4	Tire
V	0.4103.015	4	Tire Washer
W	0.4104.002	4	Cotter Pin
X	0.4202.040	1	Axle Lock Nut
Y	0.5001.214	1	CT Front Bumper
Z	0.4501.027	1	CT / PL Axle



Patent Pending



Reel Specifications

5/8" Capacity	150 feet
3/4" Capacity	100 feet
Max. Temperature	140° F
Max. Pressure	100 PSI

Reel capacities may vary depending on hose brand and style.

