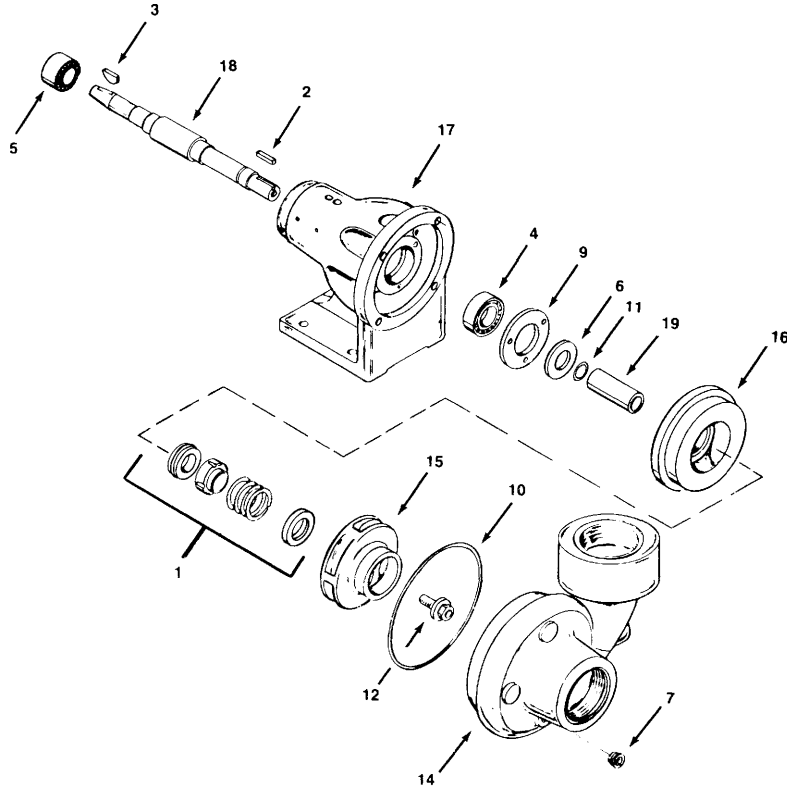


RKLD 300V, 400V

SCOT



KEY NO.	PART NUMBER	QTY.	PART NAME	KEY NO.	PART NUMBER	QTY.	PART NAME
1A	101.000.194	1	Seal, Viton - Ceramic	11	116.000.193	1	O-Ring, Shaft
1B	101.000.203	1	Seal, Viton Lime Duty	12	118.000.111	1	Impeller Ret. Assy.
2	102.000.102	1	Key, Impeller	*	120.000.189	1	Clutch
3	102.000.179	1	Key, Clutch	14A	130.000.215	1	Case, RKLD 300V
4	103.000.146	1	Bearing (Pump end)	14B	130.000.223	1	Case, RKLD 400V
5	103.000.150	1	Bearing (Shaft end)	15	131.000.286	1	Impeller
6	104.000.107	1	Flinger	16	132.000.183	1	Backplate
7	106.000.284	1	Drain Plug	17	132.000.237	1	Pedestal
*	110.000.221	1	Plate, Clutch Mtg.	18	135.000.184	1	Shaft
9	110.000.244	1	Retainer, Bearing	19	135.000.187	1	Sleeve
10	116.000.146	1	O-Ring, Case				

* Not shown in exploded view