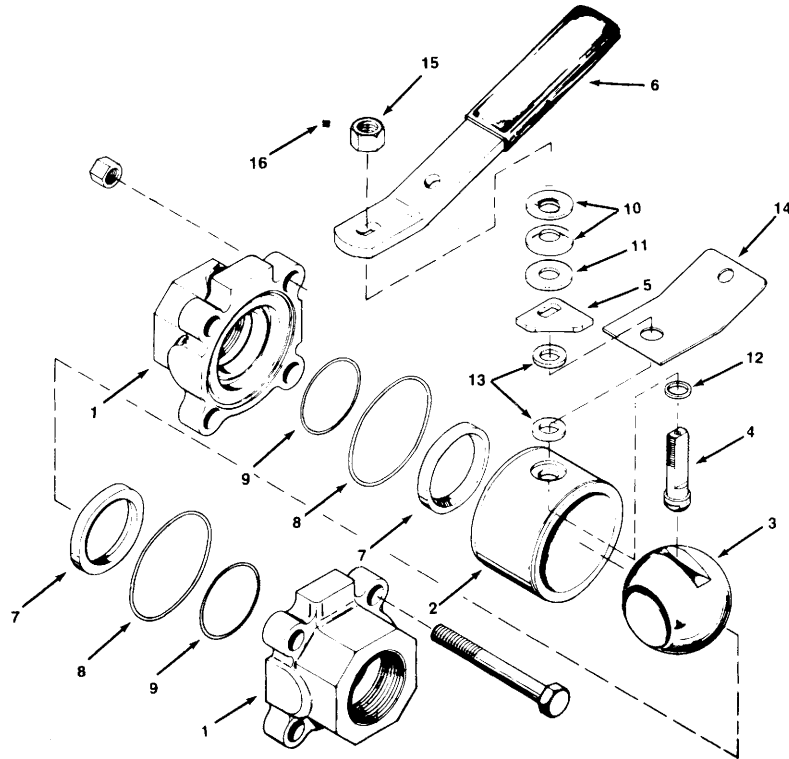


SRA 150, 200; SRG 200

SCOT



KEY NO.	PART NAME	QTY.	SRA 150	SRA 200	SRG 200
1	Flange	2	133.000.125	133.000.127	133.000.095
2	Body	1	133.000.094	133.000.094	133.000.102
3A	Ball, 304SS	1	133.000.256	133.000.256	133.000.325
3B	Ball, 316SS	1	133.000.014	133.000.014	133.000.100
4	Stem*	1	133.000.109	133.000.109	133.000.109
5	Stop*	1	133.000.128	133.000.128	133.000.110
6	Handle*	1	133.000.112B	133.000.112B	133.000.112
7	Seat*	2	133.000.018	133.000.018	133.000.034
8A	O-Ring, Body Buna*	2	116.000.152	116.000.152	115.000.153
8B	O-Ring, Body EPDM*	2	116.000.152A	116.000.152A	116.000.153A
8C	O-Ring, Body Viton*	2	116.000.197	116.000.197	116.000.192
9A	O-Ring, Seat Buna*	2	116.000.178	116.000.178	116.000.171
9B	O-Ring, Seat EPDM*	2	116.000.178A	116.000.178A	116.000.171A
9C	O-Ring, Seat Viton*	2	116.000.179	116.000.179	116.000.185
10	Belleville Washer*	2	133.000.026	133.000.026	133.000.026
11	Flat Washer*	1	133.000.025	133.000.025	133.000.025
12	Packing Washer*	1	133.000.023	133.000.023	133.000.023
13	Thrust Washer*	2	133.000.138	133.000.138	133.000.138
14	Locking Plate	1	133.000.120	133.000.120	133.000.106
15	Stem Nut*	1	133.000.027A	133.000.027A	133.000.027A
16	Set Screw*	1	105.000.434	105.000.434	105.000.434
	Repair Kit Buna O-Rings		118.000.225	118.000.225	118.000.201
	Repair Kit EPDM O-Rings		118.000.225B	118.000.225B	118.000.201B
	Repair Kit Viton O-Rings		118.000.229	118.000.229	118.000.201A

* Denotes items included in repair kit