

SS6 Pump Kits

SS6 KIT-01
BYPASS REPLACEMENT KIT

DD6P-10SS
SS6P-34
SS6P-35
SS6P-31
SCREW-14
NUT-02
EP-51
SS6P-11

KIT INCLUDES:
SS NUT, BYPASS SPRING, MOUNTING SCREW, LOCK NUT, BYPASS SUPPORT, BYPASS VALVE BODY, BYPASS SEAT, AND BYPASS VITON SEAL.

SS6 KIT-02
VITON CARTRIDGE & BOTTOM GASKET

SS6P-01
DD6P-13
SS6P-02
SS6P-21V
SS6P-03
SS6P-045
SS6P-15
SS6P-05A
SS6P-36
DD6P-46W
NUT-02
SS6P-35
SS6P-31
SCREW-14
SS6P-16
SS6P-11
EP-51
NUT-02
SS6P-34
DD6P-20
DD6P-17SS
SS6P-14
SS6P-09V
SS6P-05A

KIT INCLUDES:
PUMP CARTRIDGE (ASSEMBLED) AND VITON BOTTOM GASKET.

SS6P KIT
SS6 VALVE PLATE ASSEMBLY & BYPASS

SS6P-21V
SS6P-14
SS6P-05A
SS6P-36
DD6P-46W
NUT-02
SS6P-35
SS6P-31
SCREW-14
EP-51
NUT-02
SS6P-34
DD6P-10SS
SS6P-09V

KIT INCLUDES:
MOUNTING SCREWS, NUTS, WASHERS, BYPASS SPRING, VALVE PLATE ASSEMBLY, OUTLET VALVE HOLD DOWN SPRING, VITON BOTTOM GASKET, INLET GASKET, VITON O-RING, BYPASS VALVE BODY, BYPASS SEAT, BYPASS VITON SEAL.

SS6 KIT-03
SS6 BUNG ADAPTER & SCREWS

SS6P-08
BP-30

KIT INCLUDES:
BUNG ADAPTER AND MOUNTING SCREWS.

SS6 KIT-04
SS6 SCREW & NUT KIT

BP-30
EP-10A
EP-11
EP-57
EP-88W
EP-25
EP-10
EP-88S
CP-47
BP-61
AP-37S
DD6P-46W
NUT-02
DD6P-10SS

KIT INCLUDES:
MOUNTING SCREWS, NUTS, WASHERS, SET SCREW, ROLL PINS, LOCK WASHER, AND LOCK NUTS.

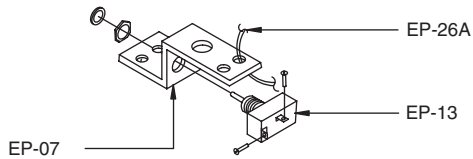
KD-53
SS6 O-RING & BOTTOM GASKET

SS6P-21V
SS6P-09V

KIT INCLUDES:
VITON BOTTOM GASKET AND VITON O-RING.
2 each

SS6 Motor Kits

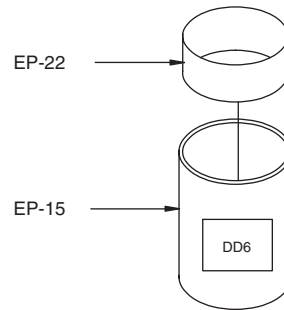
EP-13ASSY
 SWITCH ASSEMBLY



KIT INCLUDES:
 SWITCH SUPPORT, SWITCH AND WIRE & TERMINAL ASSEMBLY.

KD-51

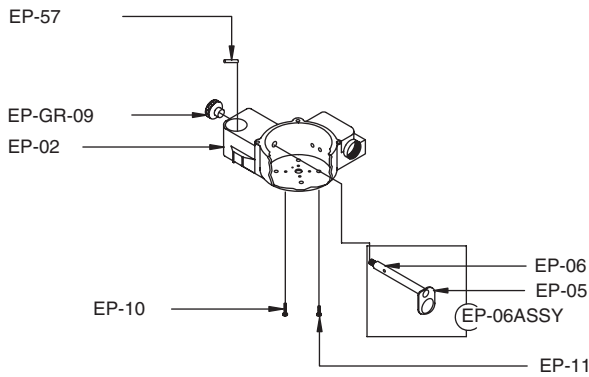
MAGNETIZED TUBE & FISHER PAPER



KIT INCLUDES:
 TUBE & MAGNET AND FISH PAPER.

KD-47

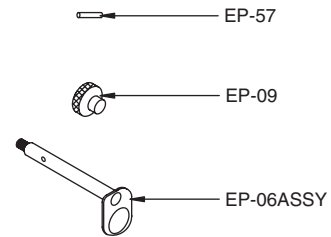
DD6, SS6 & EP-12 REAR MOTOR



KIT INCLUDES:
 ROLL PIN, REAR MOTOR CAP, SWITCH LEVER & SWITCH SHAFT ASSEMBLY, MOUNTING SCREWS AND SWITCH KNOB.

KD-52

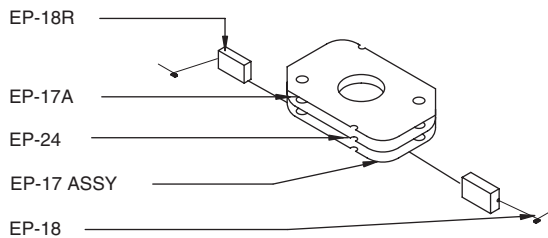
SWITCH LEVER KIT



KIT INCLUDES:
 ROLL PIN, SWITCH KNOB, SWITCH LEVER AND SWITCH SHAFT ASSEMBLY.

EP-17-01

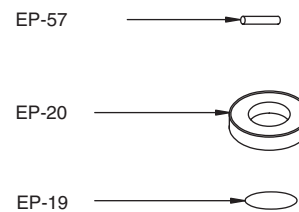
BRUSH & BRUSH PLATE REPLACEMENT



KIT INCLUDES:
 RED WIRE BRUSH, BLACK WIRE BRUSH, TOP & BOTTOM BRUSH PLATE AND SPACER.

KD-40

DD6 MOTOR BEARING & SNAP RING

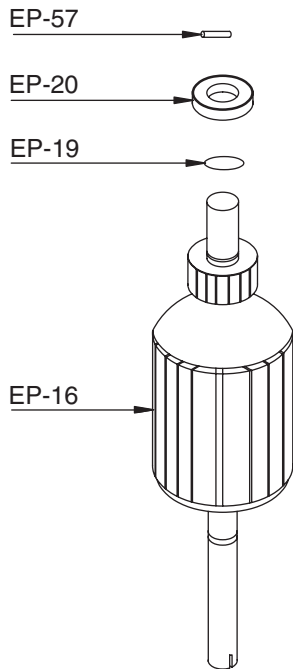


KIT INCLUDES:
 ROLL PIN, SNAP RING AND BEARINGS.

SS6 Motor Kits

KD-49

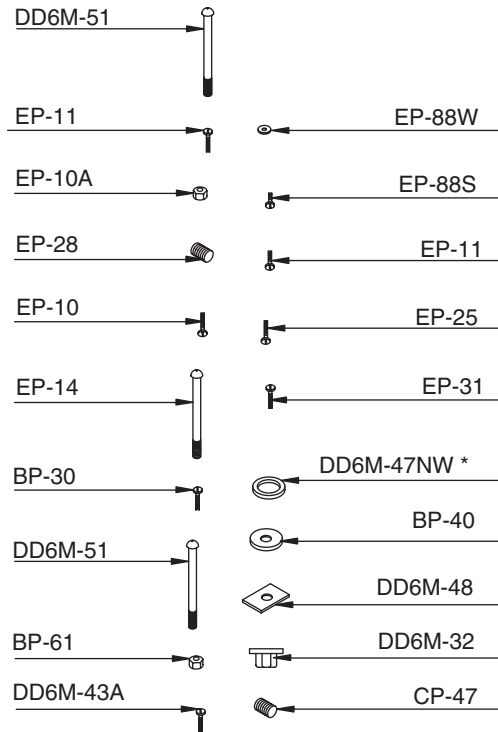
DD6 & SS6 ARMATURE/BEARING KIT



KIT INCLUDES:
 ROLL PIN, ARMATURE, SNAP RING
 AND BEARING.

KD-14

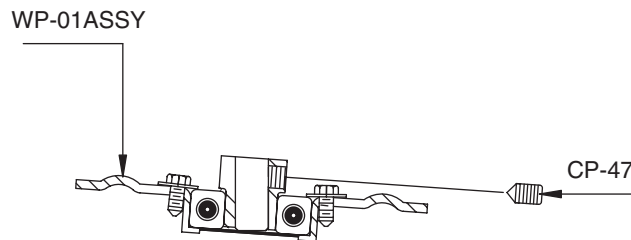
DD6 MOTOR SCREW & NUT KIT



KIT INCLUDES:
 SCREWS, WASHERS, LOCK WASHER, NUTS,
 AND LOCK NUT.

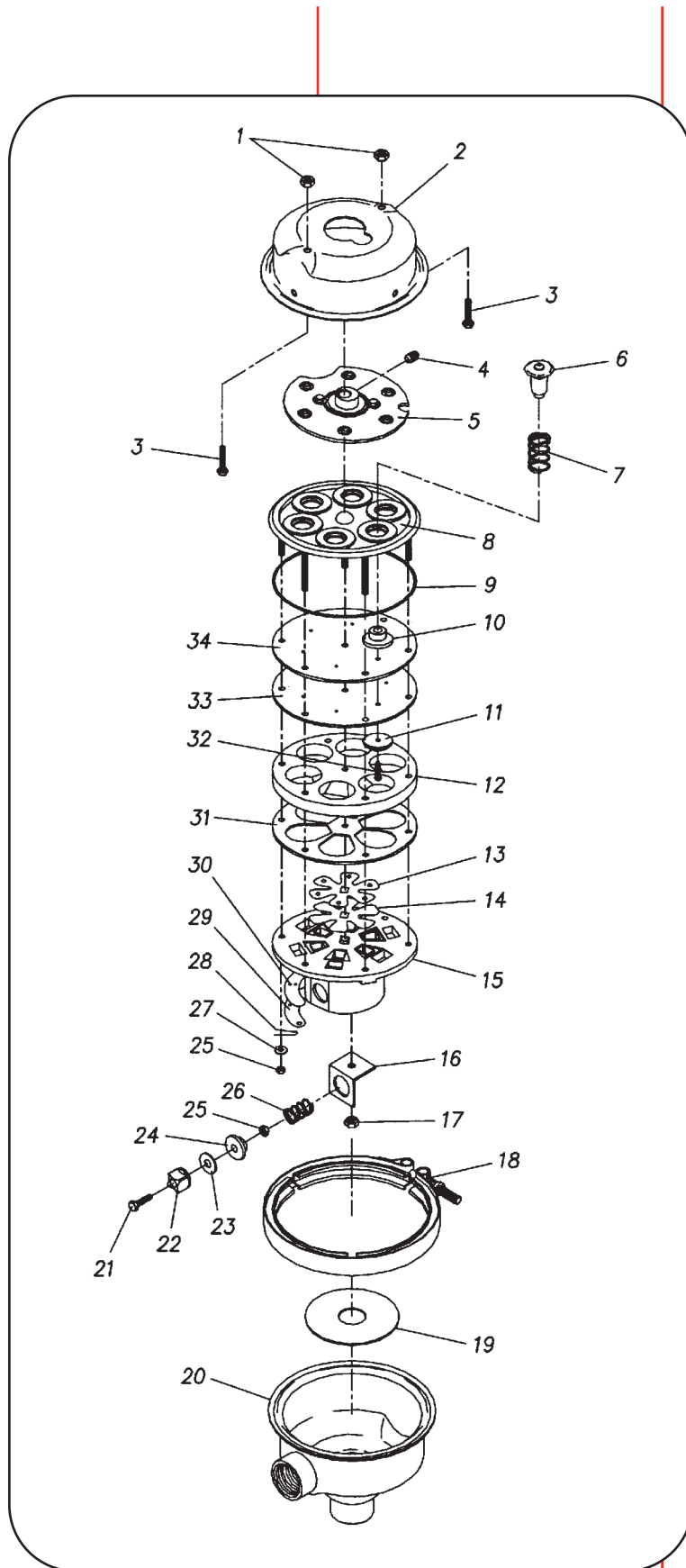
KD-11

WOBBLE PLATE ASSEMBLY W/BEARING



KIT INCLUDES:
 SET SCREW, MOTOR DRIVE PLATE, BEARING, BEARING
 BUSHING, SCREWS AND BEARING COVER.

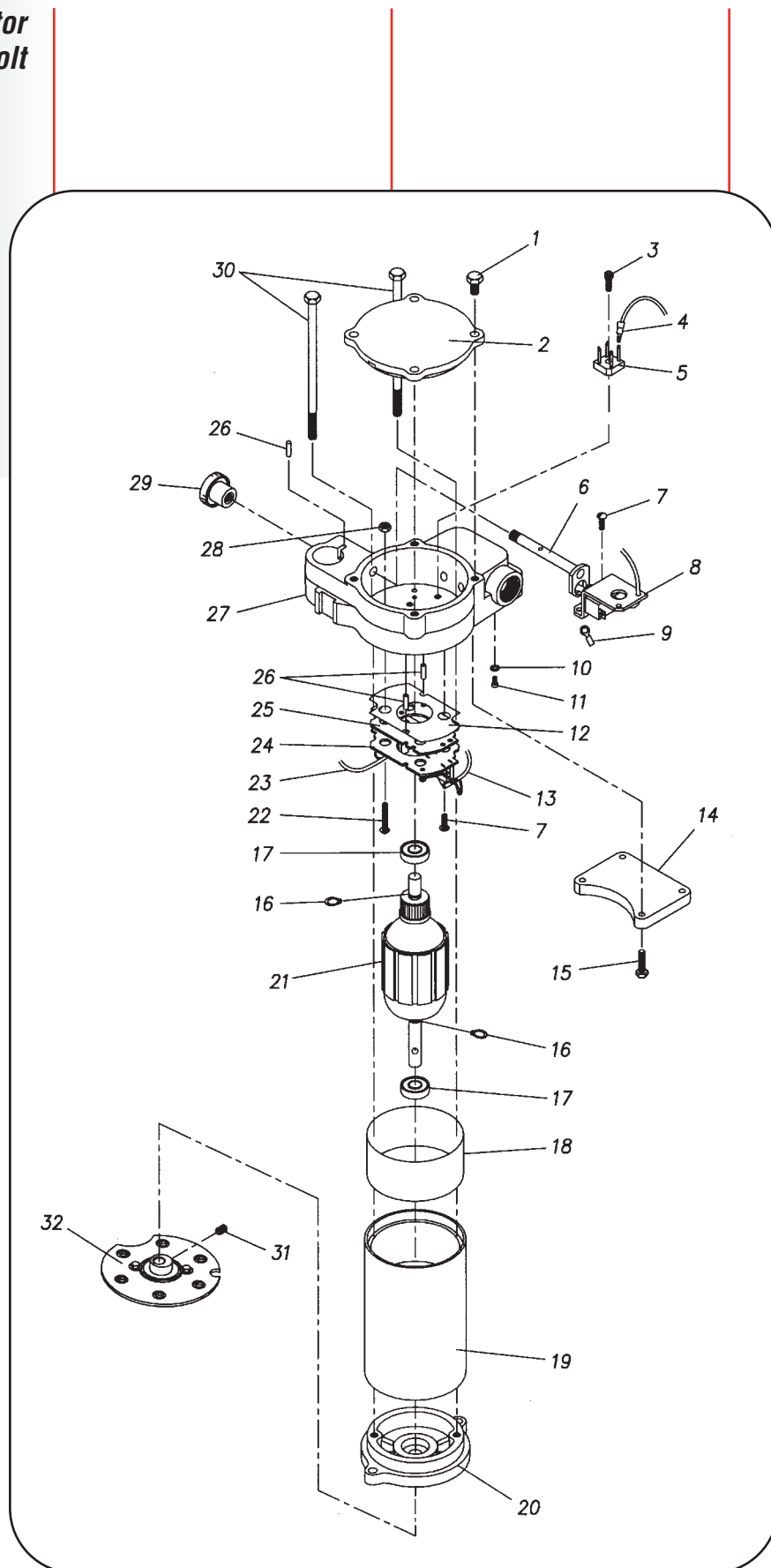
SS6 Pump Unit



**SS6 Pump
Parts List**

ITEM NUMBER	PART NUMBER	QTY	DESCRIPTION	AVAILABLE AS
1	BP-61	2	HEX NUT ZINC PLATED	SS6 KIT-04
2	SS6M-68	1	SS MOTOR CAN	PART
3	AP-37S	2	HEX HEAD SCREW	SS6 KIT-04
4	CP-47	1	SET SCREW	KD-11, SS6 KIT-04
5	WP-01ASSY	1	WOBBLE PLATE ASSY	KD-11, PART
6	SS6P-01	6	PISTON	SS6 KIT-02
7	DD6P-13	6	PISTON SPRING	SS6 KIT-02
8	SS6P-02	1	TOP HOUSING	SS6 KIT-02
9	SS6P-21V	1	VITON O-RING	SS6 KIT-02, SS6 KIT, KD-53
10	SS6P-16	6	PISTON CAP	SS6 KIT-02
11	DD6P-20	6	PISTON BACKUP	SS6 KIT-02
12	SS6P-15	1	CYLINDER PLATE	SS6 KIT-02
13	DD6P-28A	1	VALVE	SS6 KIT-02, SS6 KIT
14	DD6P-28	1	VALVE	SS6 KIT-02, SS6 KIT
15	SS6P-05	1	VALVE PLATE	SS6 KIT-02, SS6 KIT
16	SS6P-11	1	BYPASS SUPPORT	SS6 KIT-02, SS6 KIT-01
17	DD6P-10SS	1	SS HEX NUT	SS6 KIT-04, SS6 KIT-02, SS6 KIT, SS6 KIT-01
18	SS6P-18	1	CLAMP	PART
19	SS6P-09V	1	VITON BOTTOM GASKET	KD-53, SS6 KIT-02, SS6 KIT
20	SS6P-07	1	SS BOTTOM ASSEMBLY	PART
21	SCREW-14	1	SS SHCS SCREW	SS6 KIT-01, SS6 KIT-02, SS6 KIT, SS6 KIT-04
22	SS6P-31	1	BYPASS VALVE BODY	SS6 KIT-01, SS6 KIT-02, SS6 KIT
23	SS6P-35	1	BYPASS VITON SEAL	SS6 KIT-01, SS6 KIT-02, SS6 KIT
24	SS6P-34	1	BYPASS SEAT	SS6 KIT-02, SS6 KIT-01, SS6 KIT
25	NUT-02	7	SS NYL INS LOCK NUT	SS6 KIT-02, SS6 KIT, SS6 KIT-01, SS6 KIT-04
26	EP-94	1	SS SPRING (BYPASS)	SS6 KIT-02, SS6 KIT-01, SS6 KIT
27	DD6P-46W	3	SS WASHER	SS6 KIT, SS6 KIT-02, SS6 KIT-04
28	SS6P-36	3	OUTLET VALVE SPRING	SS6 KIT, SS6 KIT-02
29	DD6P-24	3	VALVE	SS6 KIT-02, SS6 KIT
30	DD6P-23	3	VALVE	SS6 KIT-02, SS6 KIT
31	SS6P-14	1	INLET GASKET	SS6 KIT-02, SS6 KIT
32	DD6P-17SS	6	PHIL PAN HD SS	SS6 KIT-02
33	SS6P-04S	1	SANTOPRENE FLUID SIDE DIAPH	SS6 KIT-02
34	SS6P-03	1	EPDM REINFORC DIAPH	SS6 KIT-02

**SS6 Motor
 110 Volt**



SS6 Motor 110 Volt Parts List

ITEM NUMBER	PART NUMBER	QTY	DESCRIPTION	AVAILABLE AS
1	BP-30	4	HEX HEAD SCREW	KD-14
2	EP-03	1	SWITCH COVER	PART
3	DD6P-83	1	MACHINE HEAD BOLT	N/A
4	LF-43	4	CONNECTOR, FEMALE TAB	N/A
5	LF-40	1	RECTIFIER	N/A
6	EP-06ASSY	1	WELDED EP-05 & EP-06	KD-52, KD-47
7	EP-11	2	SCREW	KD-47, KD-14
8	EP-13ASSY	1	SWITCH ASSEMBLY	PART/KIT
9	EP-23A	1	RING TERMINAL	EP-13ASSY, EP-26A
10	EP-88W	1	COLLAR LOCK WASHER	KD-14
11	EP-88S	1	FILL SCREW GREEN	KD-14
12	EP-24-110V	1	POLYSTER SPACER	PART
13	EP-18R-110V	1	BRUSH W/RED LEAD WIRE	PART
14	EP-04	1	JUNCTION BOX COVER	PART
15	EP-25	4	HEX HEAD SCREW	KD-14
16	EP-19	2	SNAP RING	KD-49, KD-50
17	EP-20	2	BEARING	KD-49, KD-50
18	EP-22	1	FISH PAPER	KD-51
19	EP-15	1	TUBE & MAGNET	KD-51
20	EP-01	1	FRONT MOTOR CAP	PART
21	DD6M-16-110V	1	ARMATURE	PART
22	EP-10	1	ROUND HEAD SCREW	KD-14
23	EP-18-110V	1	BRUSH W/BLACK LEAD WIRE	PART
24	EP-17ASSY-110V	1	EP-17B + EP-17S ASSEMBLED	PART
25	EP-17A-110V	1	BOTTOM BRUSH PLATE	PART
26	EP-57	3	ROLL PINS	KD-40, KD-47, KD-52
27	EP-02	1	REAR MOTOR CAP	KD-47
28	EP-10A	1	HEX NUT	KD-14
29	EP-GR-09	1	ON/OFF BLACK KNOB	KD-52, KD-47
30	EP-14	2	HEX INDENTED BOLT	KD-14
31	CP-47	1	SET SCREW	KD-11, KD-14
32	WP-01ASSY	1	DRIVE PLATE ASSEMBLY	KD-11, PART