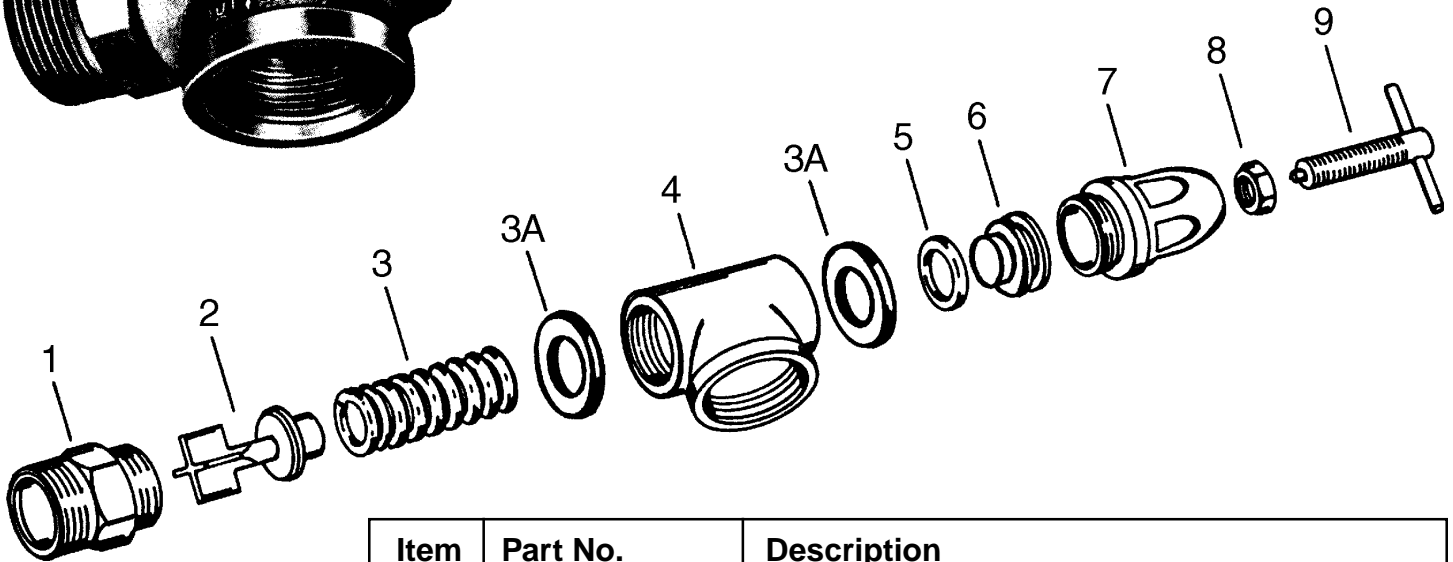


# No. 110-1-1/4 Pressure Relief Valve



Item	Part No.	Description
1	11902	Inlet adapter, brass
	11902-I	Inlet adapter, steel
	11902-AL	Inlet adapter, aluminum
2	11898	Guide seat, brass
	11898-I	Guide seat, steel
	11898-AL	Guide seat, aluminum
3	11944-150-302SS	Spring, stainless steel, type 302
3A	12799-NY	Gasket, nylon (2 Req'd)
4	11901	Body, brass
	11901-DI	Body, ductile iron
	11901-AL	Body, aluminum
5	7717-2-211-BU	O-ring, Buna-N
6	11897	Spring retainer, brass
	11897-I	Spring retainer, steel
	11897-AL	Spring retainer, aluminum
7	11895	Bonnet, brass
	11895-DI	Bonnet, ductile iron
	11895-AL	Bonnet, aluminum
8	5898	Locknut, brass
	5898-AL	Locknut, aluminum (for #110-DI & #110-AL-)
9	5896	Adjusting screw assembly, brass
	5896-ALSS	Adjusting screw assembly, stainless & aluminum (for #110 DI & #110 AL-)
		No. 110-1-1/4 Pressure Relief Valve, Brass
		No. 110-1-1/4-DI Pressure Relief Valve, Ductile Iron
		No. 110-1-1/4-AL Pressure Relief Valve, Aluminum