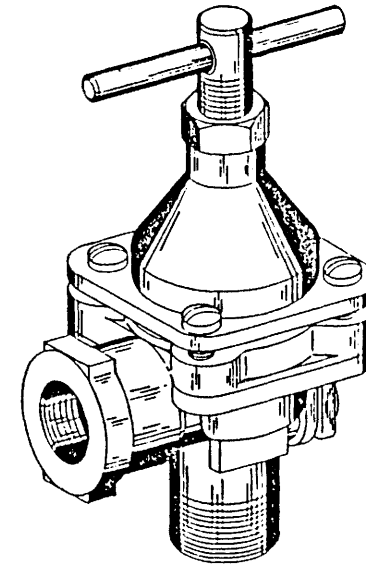
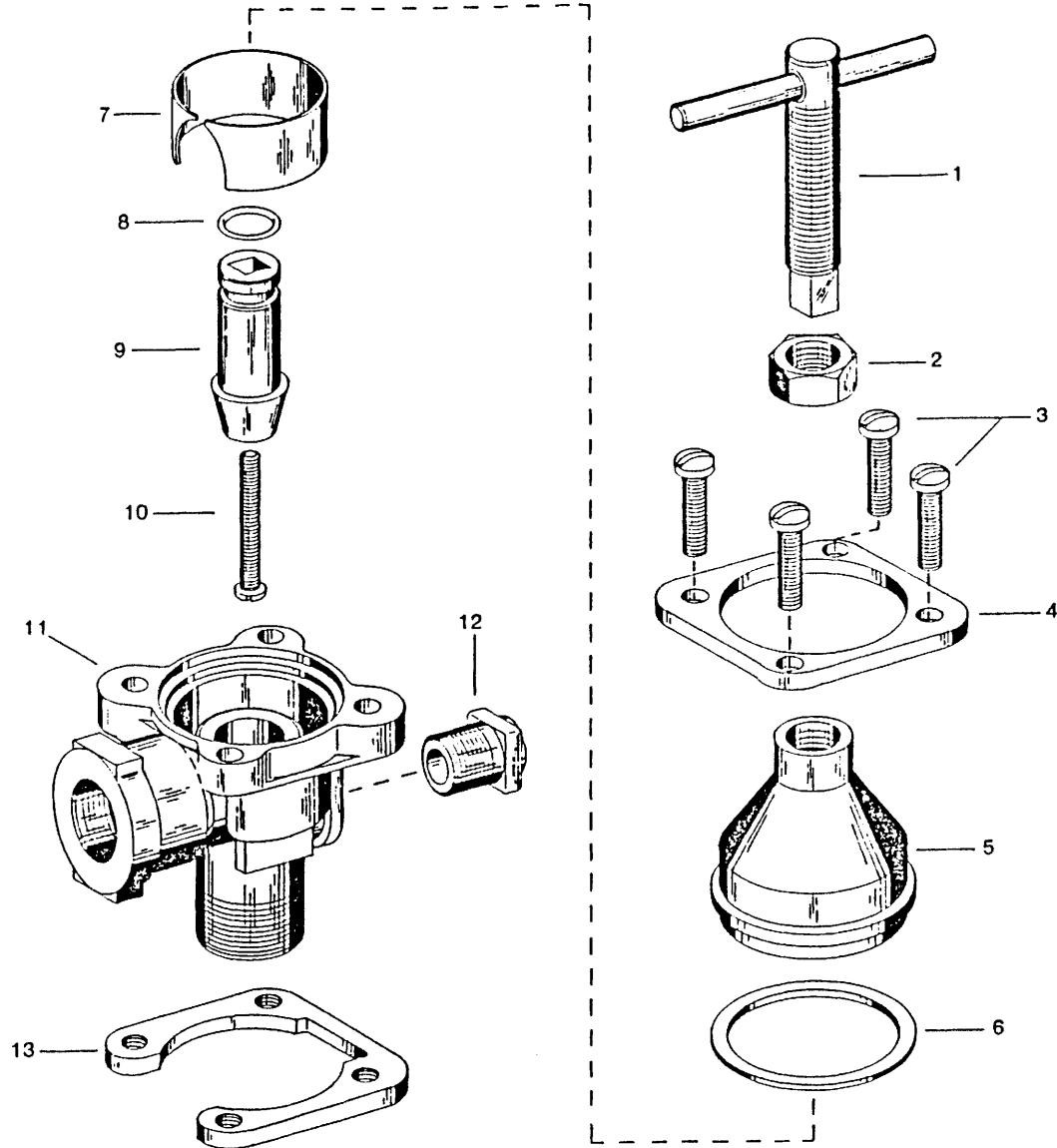


Model 12690-1/2 & -3/4-NYB Throttling Valve



ITEM	PART NO.	DESCRIPTION
1	CP12696-ALSS	Stem Sub-Assembly, Aluminum & Stainless Steel
2	CP5898	Lock Nut, Brass
3	CP7668-IZP	Screw, Steel, Zinc Plated (4 Req'd)
4	CP12330-IZP	Bonnet Retainer Plate, Steel, Zinc Plated
5	CP12691-IZP	Bonnet, Steel, Zinc Plated
6	CP12694-POL	Gasket, Polyethylene
7	CP8389-304SS	Chamber Insert, Type 304 Stainless Steel
* 8	CP7717-2/14-VI	O'Ring, Viton
* 9	CP12692-CE	Seat, Celcon
* 10	CP12695-11/4-SS	Screw, Stainless Steel
11	CP8361-1/2-NYB	Body, Nylon (Black) (For #12690-1/2-NYB)
	CP8361-3/4-NYB	Body, Nylon (Black) (For #12690-3/4-NYB)
12	8400-1/4-PPB	1/4" Pipe Plug, Polycrpylene (Black)
13	CP9017-IZP	Body Clamp Plate, Steel, Zinc Plated

No. 12690-1/2-NYB, Throttling Valve, Nylon
 No. 12690-3/4-NYB, Throttling Valve, Nylon
 AB12690-KIT - Spare Parts Kit (Includes all items marked with *)