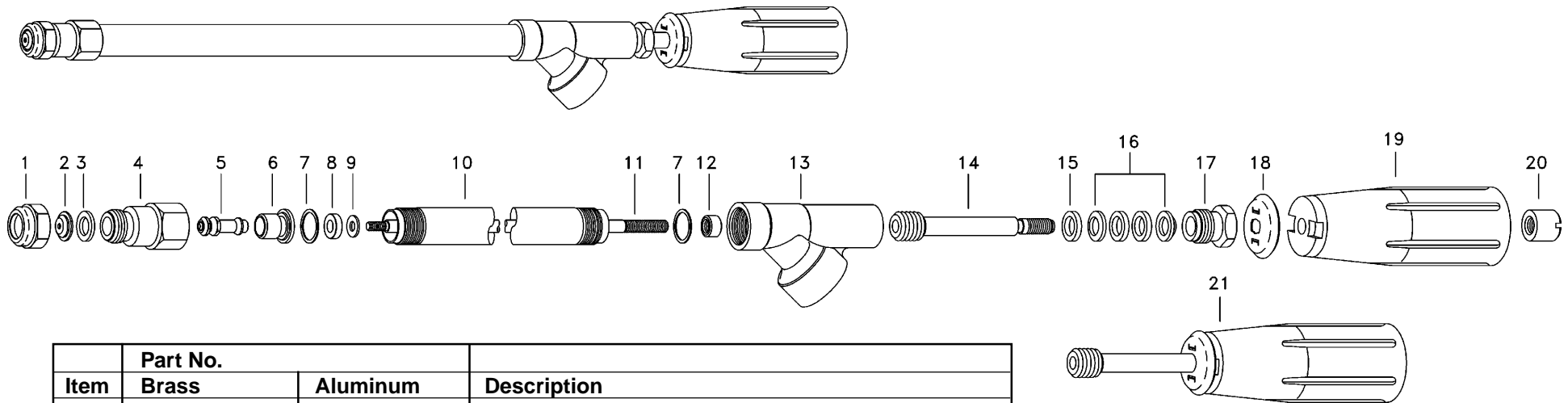


Series AA18 and AA18-AL Gunjet Spray Guns



Item	Part No.		Description
	Brass	Aluminum	
1	CP1325	CP1325-AL	Cap, Brass or Aluminum
2	D-**-HSS	D-**-HSS	Orifice Disk, Hardened Stainless Steel
* 3	CP5871-BU	CP5871-BU	Tip Gasket, Buna-N
4	CP5869	CP5869-AL	Spray Housing, Brass or Aluminum
* 5	10516-AL	10516-AL	Core, Rivet & Core Body Sub-Asb. Brass or Aluminum
6	CP5872	CP5872-AL	Guide Sleeve, Brass or Aluminum
7	CP45197-NYB	CP45197-NYB	Gasket, Nylon (Black) (2 req'd)
* 8	CP5798-NY	CP5798-NY	Seat Plate, Nylon
* 9	CP7985	CP7709-SS	#10 Washer, Brass or Stainless Steel
10	CP5878	CP5878-AL	Tubing, Brass or Aluminum
11	CP5879	CP5879-AL	Stem, Brass or Aluminum
12	CP6618	CP6618-AL	Brass or Aluminum
13	CP6896	CP6896-AL	Inlet Body, Brass or Aluminum
14	CP5882	CP5882-NP	Hand Grip Stud, Brass or Brass, Nickel Plated
15	CP5883	CP5883-AL	Packing Washer, Brass or Aluminum
16	CP5809-LEA	CP5809-LEA	Packing, Thermo-leather (4 req'd)
17	CP5811	CP5811-AL	Packing Screw, Brass or Aluminum
18	CP5884-INP	CP5884-INP	Hand Grip Collar, Steel, Nickel Plated
19	CP5994-2-NY	CP5994-2-NY	Plastic Hand Grip, Nylon
20	CP5813	CP5813-AL	Hand Grip Nut, Brass or Aluminum
21	5838	5838-AL	Hand Grip Sub-Asb., (includes items 14, 18, 19 & 20)
No. AA18 Gunjet® Spray Gun, Brass			
No. AA18-AL Gunjet® Spray Gun, Aluminum			

AB18-KIT: Spare Parts Kit (Includes all items marked with *)
 AB18-AL-KIT: Spare parts Kit (Includes all items marked with *)
 **Specify Orifice Disc Size Required.

