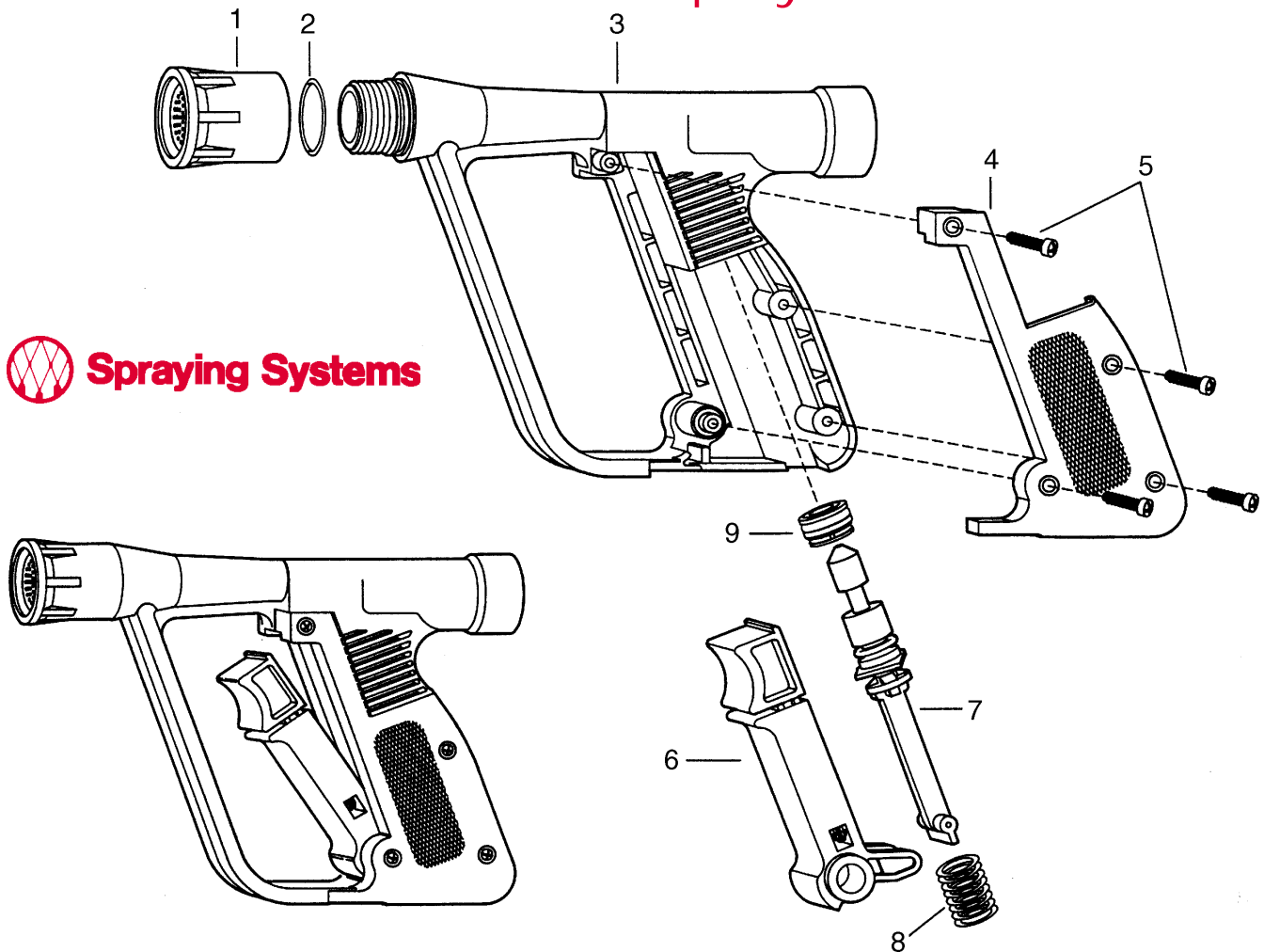


No. 25660 & No. B25660 TeeJet Lawn Spray Guns



Item	Part No.	Description
1	25670-1.5-NY 25670-3.0-NYB 25670-4.0-NY	Nozzle tip, nylon (gray) for models #----1.5 Nozzle tip, nylon (black) for models #----3.0 Nozzle tip, nylon (red) for models #----4.0
*2	CP7717-2/22-VI	O-ring, viton
3	CP25661-3/4-NYB CPB25661-3/4-NYB	Body, nylon (black) 3/4" NPT(F), For models #25660-- Body, nylon (black) 3/4" BSPT(F), For models #B25660--
4	CP25662-NYB	Cover, nylon (black)
5	CP25676-9/16-IZP	#8 Plastite screw, steel, zinc plated (4 req'd)
6	25675	Trigger sub-assy, nylon with type 302 SS spring
*7	25665	Stem, sub-assy., nylon with type 302 SS spring
8	CP25671-302SS	Spring, type 302 stainless steel
*9	25663	Seating sub-assy, polypropylene with Viton O-rings
No. 25660-0, TeeJet lawn spray gun (less nozzle tip), 3/4" NPT(F)		
No. 25660-1.5, TeeJet lawn spray gun, 3/4" NPT(F)		
No. 25660-3.0, TeeJet lawn spray gun, 3/4" NPT(F)		
No. 25660-4.0, TeeJet lawn spray gun, 3/4" NPT(F)		
No. 25660-0, TeeJet lawn spray gun (less nozzle tip), 3/4" BSPT(F)		
No. 25660-1.5, TeeJet lawn spray gun, 3/4" BSPT(F)		
No. 25660-3.0, TeeJet lawn spray gun, 3/4" BSPT(F)		
No. 25660-4.0, TeeJet lawn spray gun, 3/4" BSPT(F)		
PK-AB25660-KIT: Spare parts kit (includes all items marked with *)		