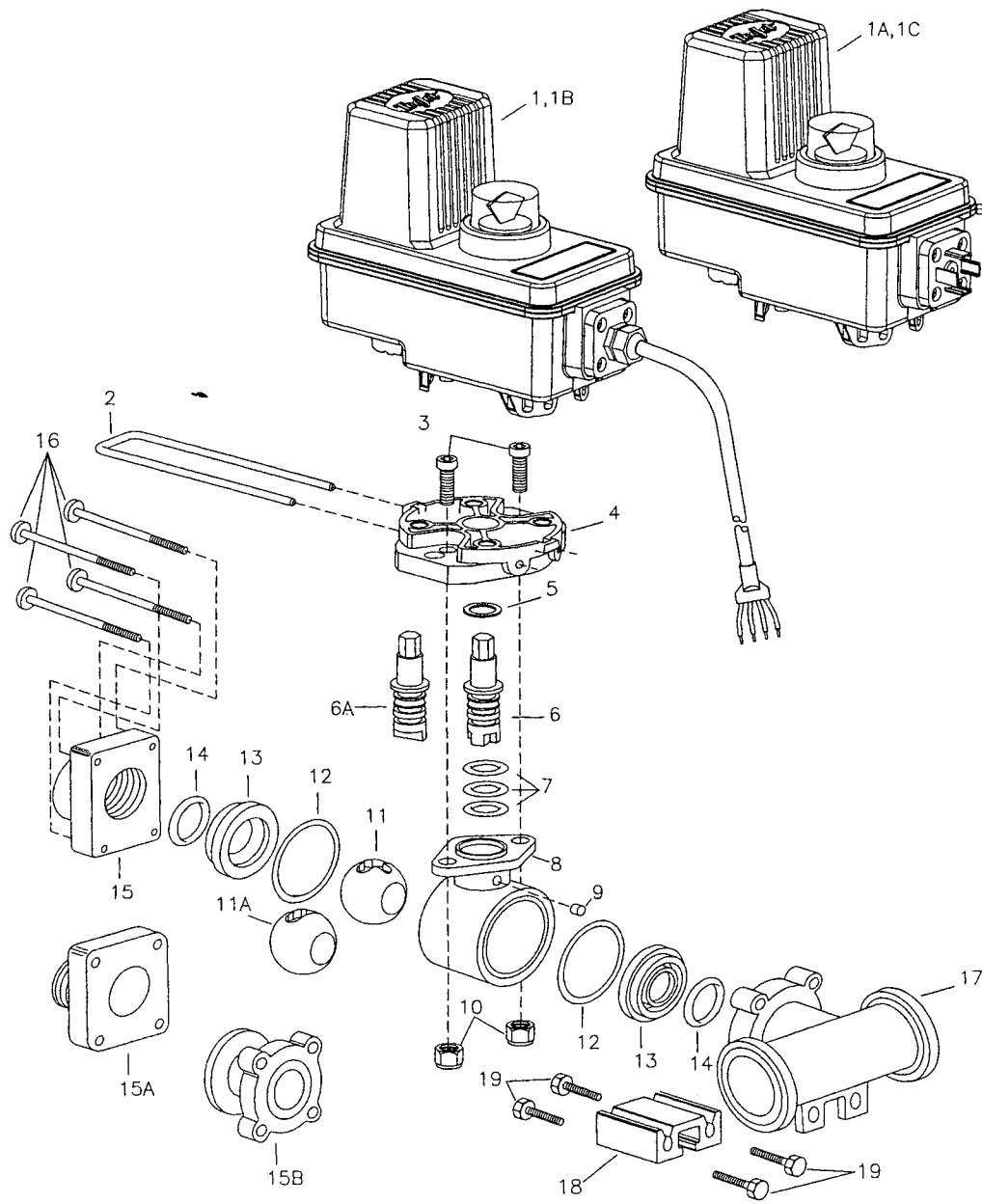



Model 450BEC Series DirectoValve® Electric Shut-Off Ball Valve Manifold



ITEM	PART NO.	DESCRIPTION	
1	50515-25CP03 *	BEC MOTOR, 25-RPM (0.6-SEC), 0.3-METER CABLE, POSITIVELY SWITCHED	
	50515-25CP05 *	BEC MOTOR, 25-RPM (0.6-SEC), 0.5-METER CABLE, POSITIVELY SWITCHED	
	50515-25CP15 *	BEC MOTOR, 25-RPM (0.6-SEC), 1.5-METER CABLE, POSITIVELY SWITCHED	
	50515-25CP60 *	BEC MOTOR, 25-RPM (0.6-SEC), 6.0-METER CABLE, POSITIVELY SWITCHED	
1A	50515-25DP *	BEC MOTOR, 25-RPM (0.6-SEC), DIN CONNECTION, POSITIVELY SWITCHED	
	50533-25C03	BE MOTOR, 25-RPM (0.6-SEC), 0.3-METER CABLE	
	50533-25C05	BE MOTOR, 25-RPM (0.6-SEC), 0.5-METER CABLE	
	50533-25C15	BE MOTOR, 25-RPM (0.6-SEC), 1.5-METER CABLE	
1C	50533-25C60	BE MOTOR, 25-RPM (0.6-SEC), 6.0-METER CABLE	
	50533-25D	BE MOTOR, 25-RPM (0.6-SEC), DIN CONNECTION	
	2	CP50517-SSPV	RETAINING CLIP, 304 STAINLESS STEEL
	3	CP26197-7/8-SS	SOCKET HEAD CAP SCREW, 1/4"-20X7/8", STAINLESS STEEL (2 REQ'D)
4	CP50514-PP	MOTOR ADAPTER, POLYPROPYLENE (BLACK)	
*	5	CP20125-TEF	THRUST WASHER, TEFLON
6	CP56613-SS	STEM, 303 STAINLESS STEEL (FOR POLYPROPYLENE BALL)	
6A	CP56615-SS	STEM, 303 STAINLESS STEEL (FOR STAINLESS STEEL BALL)	
*	7	CP7717-M12X2.5-VI	O-RING, VITON (3 REQ'D)
8	CP20101-NYB	BODY, NYLON (BLACK) (2-WAY)	
*	9	CP20126-FELT	DUST PLUG, FELT
10	CP38435-1/4-SSNY	ELASTIC LOCKNUT, 1/4"-20, STAINLESS STEEL (2 REQ'D)	
11	CP20106-1-PP	BALL, POLYPROPYLENE (WHITE) (2-WAY)	
11A	CP19926-SS	BALL, 303 STAINLESS STEEL (2-WAY)	
*	12	CP20564-VI	GASKET, VITON (2 REQ'D)
*	13	CP20103-TEF	SEAL, TEFLON (2 REQ'D)
*	14	CP7717-2-213-VI	O-RING, VITON (2 REQ'D)
15	CP20104-3/4-NYB	END CAP, NYLON (BLACK) (3/4" NPT THREAD)	
	CPB20104-3/4-NYB	END CAP, NYLON (BLACK) (3/4" BSPT THREAD)	
	CP20104-1-NYB	END CAP, NYLON (BLACK) (1" NPT THREAD)	
	CPB20104-1-NYB	END CAP, NYLON (BLACK) (1" BSPT THREAD)	
15A	CP45514-NYB	END CAP, NYLON (BLACK) (QUICK CONNECT)	
15B	CP45253-NYB	END CAP, NYLON (BLACK) (50-SERIES FLANGE)	
16	CP45252-2-3/4-SSPV	SCREW, 1/4"-12 X 2-3/4" PAN HEAD, STAINLESS STEEL (4 REQ'D)	
17	CP45251-PP	#75 TEE BODY, POLYPROPYLENE (BLACK)	
18	CP45216-AL	MOUNTING RAIL, ALUMINUM	
19	CP45259-SS	SCREW, M6 X 1 X 16MM HEX, STAINLESS STEEL (4 REQ'D)	
		AB344AE-KIT, SPARE PARTS KIT (INCLUDES ALL ITEMS MARKED WITH *)	

NOTE: (B) IN PART NUMBER INDICATES B.S.P.T INLET AND OUTLET CONNECTIONS

* NOTE: FOR NEGATIVELY SWITCHED MOTORS SPECIFY "N" RATHER THAN "P" IN MOTOR PART NUMBER
EXAMPLE: 50515-25CN05

DESCRIPTION:		 Spraying Systems Co.® Spray Nozzles and Accessories P.O. Box 7900 - Wheaton, IL 60189-7900
450BEC DIRECTOVALVE® ELECTRIC SHUT-OFF BALL VALVE MANIFOLD		
Rev. No. 1	PARTS LIST	
Ref.	PL450BEC	
	SHEET OF	