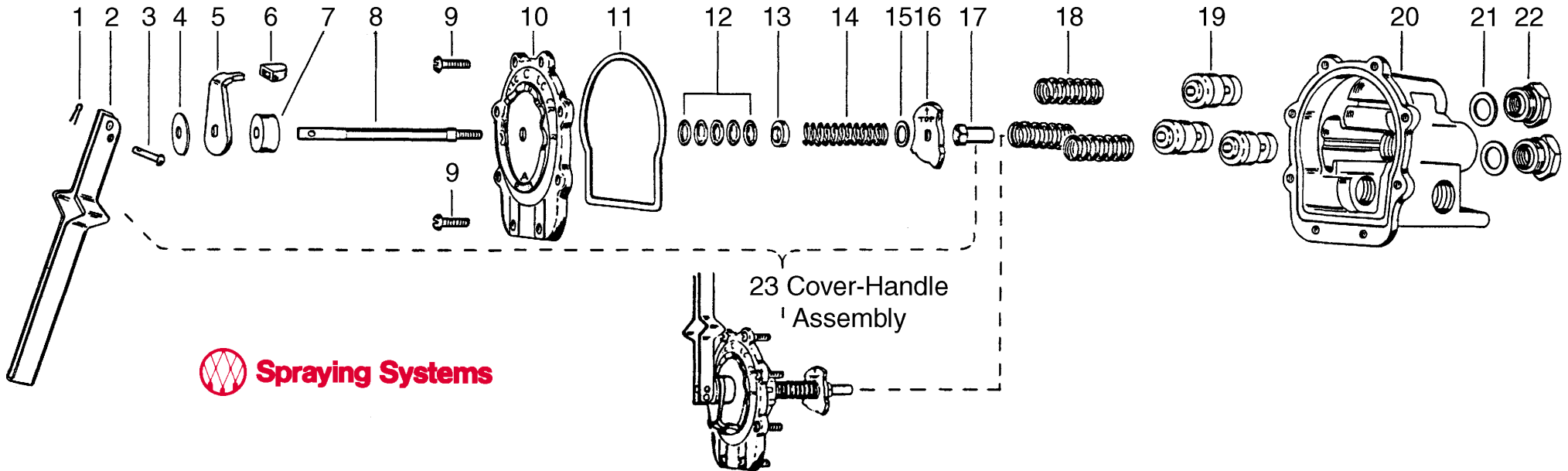


NO. AA17 - TEEVALVE



| Item | Part No. | Description |
|------|---------------|--|
| *1 | CP8012-1/2-SS | 1/16" x 1/2" Cotter Pin, Stainless Steel |
| 2 | CP6849-1-IZP | Handle, Steel, Zinc Plated |
| *3 | CP7206-IZP | Rivet, Steel, Zinc Plate |
| *4 | CP6976-IZP | Handle Washer, Steel, Zinc Plated |
| 5 | CP12128-IZP | Selector Shield, Steel, Zinc Plated |
| *6 | CP12127-CE | Selector Shield Tip, Celcon (Gray) |
| 7 | CP12129-CE | Spacer, Celcon (Gray) |
| 8 | CP6972-SS | Main Stem, Stainless Steel |
| *9 | CP7980-IZP | Screws, Steel, Zinc Plated (8 Req'd) |
| 10 | CP12126-AL | Cover Plate, Aluminum |
| *11 | CP6975-BU | Gasket, Buna-N |
| *12 | CP5809-LEA | Packing, Thermo-Leather (5 Req'd) |
| 13 | CP12130-SS | Packing Gland, Stainless Steel |
| 14 | CP7254-SS | Main Spring, Stainless Steel |
| 15 | CP7987-SS | Washer, Stainless Steel |
| 16 | CP6971-AL | Selector Cam, Aluminum |
| 17 | CP6973-SS | Guide Nut, Stainless Steel |

| Item | Part No. | Description |
|------|----------------|--|
| 18 | CP6959-SS | Valve Spring, Stainless Steel (3 Req'd) |
| 19 | CP6956-CE | Valve Stem, Celcon (3 Req'd) |
| 20 | CP6934-1/2-AL | Body, Aluminum (For Models 17A thru 17F) |
| | CP6934-3/4-AL | Body, Aluminum (For Models 17G thru 17L) |
| | CP6934-11/2-AL | Body, Aluminum (For Models M thru S) |
| | CP6934-13/4-AL | Body, Aluminum (For Models T thru Y) |
| *21 | CP6958-POL | Seat Plate, Polyethylene (3 Req'd) |
| 22 | CP7261-AL | Outlet Adapters, Aluminum (3 Req'd.) (For #17A, G, M, T) |
| | CP6957-AL | Outlet Adapters, Aluminum (3 Req'd.) (For #17B, H, N, U) |
| | CP7262-AL | Outlet Adapters, Aluminum (3 Req'd.) (For #17C, I, P, V) |
| | CP7350-AL | Outlet Adapters, Aluminum (3 Req'd.) (For #17D, J, Q, W) |
| | CP7735-AL | Outlet Adapters, Aluminum (3 Req'd.) (For #17E, K, R, X) |
| | CP7902-AL | Outlet Adapters, Aluminum (3 Req'd.) (For #17F, L, S, Y) |
| 23 | | Cover Handle Assembly (Includes all items 1 thru 17) |
| | AB17-KIT | Spare Parts Kit (Includes all items with *) |
| | AB17.1-KIT | Spare Parts Kit (Includes #AB17 - Kit plus item #10 cover plate) |