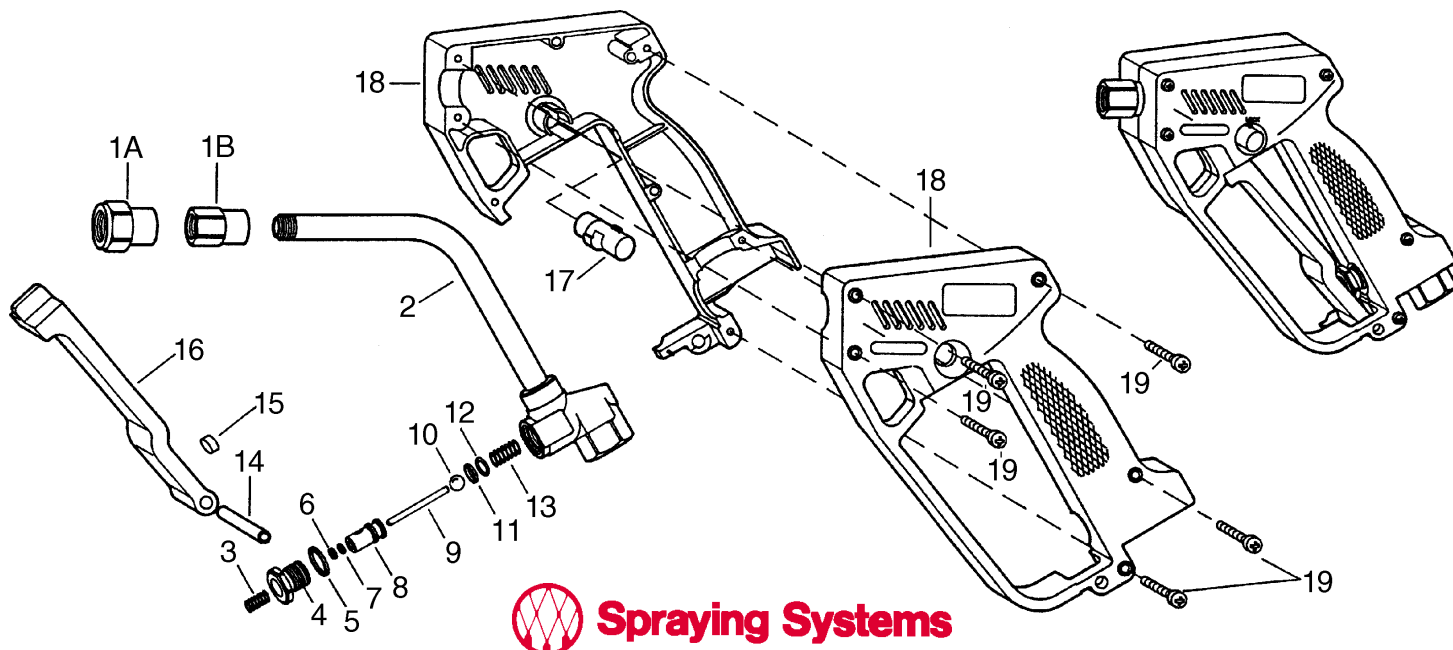


No. PW4000W GUNJET Spray Guns

(With "Weep" Features)



Item	Part No.	Description
1A	CP24465-3/8	Outlet Adapter, Brass (For PW4000-3/8 x 3/8)
1B	CP24463-1/4	Outlet Adapter, (For PW4000 & PW4000-1/4 x 1/4)
2	24468-3/8	Body (Brass) & Tube (Steel, Zinc Plated) Sub-Assembly (For PW4000, PW4000-3/8 x 3/8)
	24468-1/4	Body (Brass) & Tube (Steel, Zinc Plated) Sub-Assembly (For PW4000-1/4 x 1/4)
*3	CP25966-302SS	Trigger Spring, Type 302 Stainless Steel
4	CP24462	Retaining Screw, Brass
*5	CP17717-AL	Gasket, Aluminum
*6	CP24457-TEF	Back-Up Ring, Teflon
*7	CP7717-1-VI	O-Ring, Viton
*8	CP24460-1-SS	Seat, Stainless Steel
*9	CP24459-SS	Stem, Stainless Steel
*10	CP7671-3-5/16-440CHS	Ball, Type 440C Hardened Stainless Steel
*11	CP17125-TEF	Back-Up Ring, Teflon
*12	CP7717-2/11-VI	O-Ring, Viton
*13	CP24464-302SS	Spring, Type 302 Stainless Steel
*14	CP17889-420SS	Roll Pin, Type 420 Stainless Steel
15	CP24458-SS	Striker Pin, Stainless Steel
16	CP24455-NY	Trigger, Nylon
17	CP24456-NY	Trigger Lock, Nylon
18	CP24467-PC	Right & Left Hand Housing Set, Polycarbonate
19	CP17103-I-ZP	Screw, Steel, Zinc Plated (5 Req'd)
No. PW4000 GunJet® Spray Gun		
No. PW4000-3/8 x 3/8 GunJet® Spray Gun		
No. PW4000-1/4 x 1/4 GunJet® Spray Gun		
AB PW4000-KIT-Spare Parts Kit (Includes all items marked with *)		