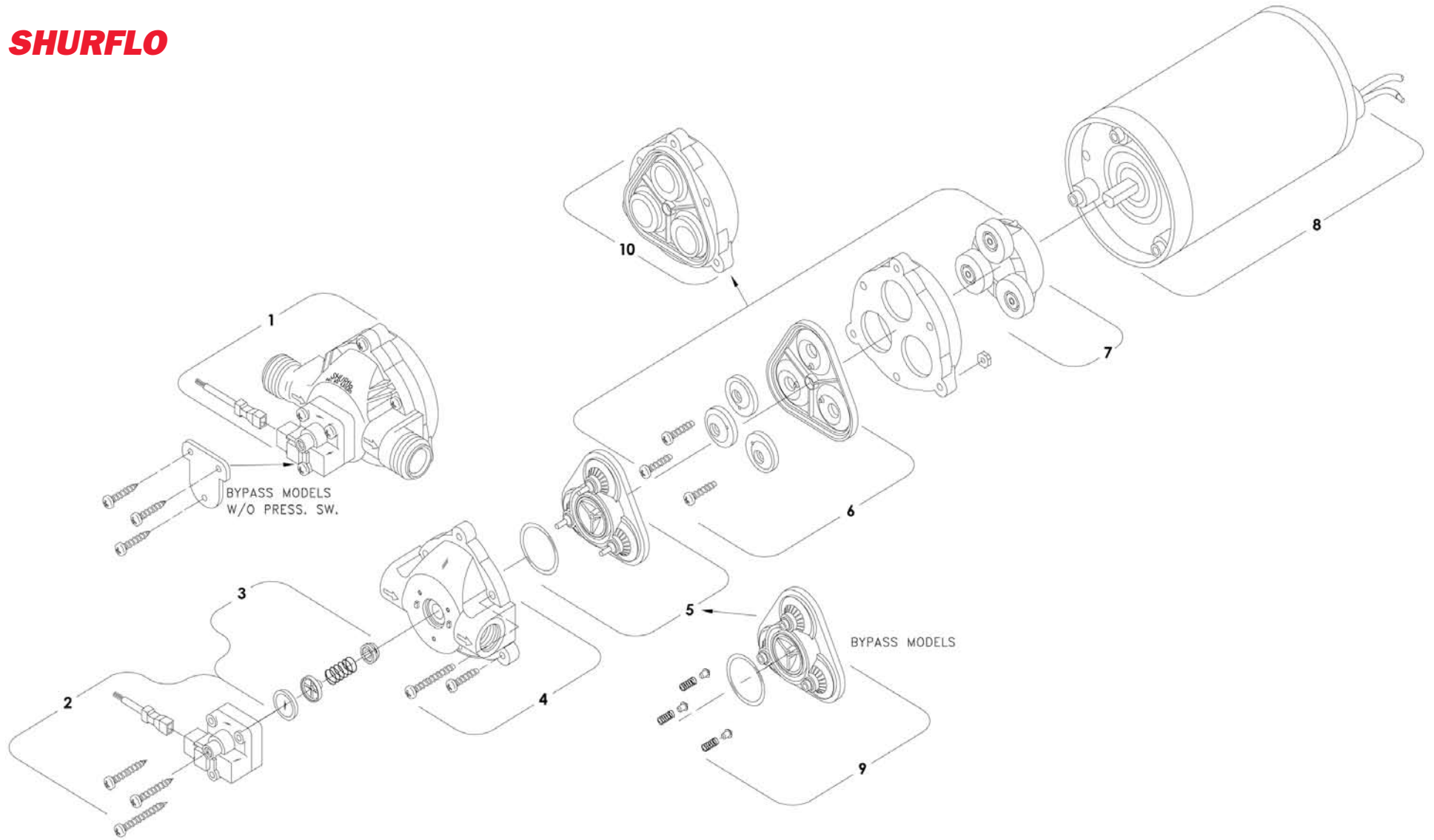


SHURFLO Pumps

# 8000 Series Diaphragm Pumps

## SHURFLO



## 8000 Series Master Catalog Parts Kits

Model Number	1 Complete Pumphead Assembly	2 Switch Assembly	3 Check Valve Assembly	4 Upper Housing	5/9 Bypass/ Non Bypass Valve Assembly	6 Diaphragm Assembly	7 / 10 Drive Assembly	8 Motors
8000-033-236	94-380-05	94-375-05	94-374-10	94-379-00	94-390-05	94-395-05	94-385-04	11-150-00
8000-082-255	N/A	N/A	94-374-10	94-379-01	N/A	94-385-31	94-385-31	11-179-00
8000-151-296	N/A	94-375-04	N/A	94-379-00	N/A	N/A	N/A	11-127-10
8000-343-236	94-380-05	94-375-05	94-374-10	94-379-00	94-390-05	94-395-05	94-385-04	11-111-00
8000-443-136	N/A	94-375-06	94-374-16	94-378-00	94-390-08	94-385-32	94-385-32	11-111-00
8000-443-236	N/A	94-375-06	94-374-16	94-379-00	94-390-08	N/A	94-385-32	11-111-00
8000-532-256	N/A	94-375-06	94-374-08	94-379-00	94-391-08	94-385-31	94-385-31	11-150-00
8000-533-236	94-380-49	94-375-05	94-374-10	94-379-00	94-390-05	N/A	94-385-32	11-150-00
8000-533-250	94-382-09	N/A	N/A	94-379-00	94-391-09	N/A	94-385-32	11-150-00
8000-541-236	N/A	94-375-06	94-374-08	94-379-00	94-390-05	94-395-06	N/A	11-148-04
8000-542-136	N/A	94-375-06	94-374-08	94-378-00	94-390-05	N/A	94-385-31	11-111-00
8000-543-136	N/A	94-375-06	94-374-08	94-378-00	94-390-05	N/A	94-385-32	11-111-00
8000-543-138	94-380-42	95-375-18	94-374-08	94-378-00	94-390-05	N/A	94-385-32	11-111-00
8000-543-210	N/A	N/A	N/A	94-379-00	94-391-05	N/A	94-385-32	11-111-00
8000-543-220	N/A	N/A	N/A	94-379-00	94-391-07	N/A	94-385-32	11-111-00
8000-543-236	N/A	94-375-06	94-374-08	94-379-00	94-390-05	N/A	94-385-32	11-111-00
8000-543-238	N/A	95-375-18	94-374-08	94-379-00	94-390-05	N/A	94-385-32	11-111-00
8000-543-250	94-382-53	N/A	N/A	94-379-00	94-391-09	94-395-06	94-385-03	11-111-00
8000-543-290	N/A	N/A	N/A	94-379-00	94-390-05	N/A	94-385-03	11-111-00
8000-543-936	N/A	94-375-06	94-374-08	94-379-00	94-390-05	N/A	94-385-32	11-111-04
8000-633-236	N/A	94-375-04	N/A	94-379-01	N/A	N/A	94-385-03	11-150-00
8000-643-210	N/A	N/A	N/A	94-379-01	94-391-12	N/A	94-385-42	11-173-00
8000-643-236	N/A	94-375-04	N/A	94-379-01	94-390-10	N/A	94-385-03	11-111-00
8000-713-238	N/A	94-375-18	94-374-09	94-379-01	94-390-06	N/A	94-385-32	11-150-10
8000-783-238	94-380-43	95-375-18	94-374-16	94-379-01	94-390-06	N/A	94-385-32	11-179-00
8000-812-280	N/A	N/A	94-374-10	94-379-01	94-391-25	94-385-31	94-385-31	11-150-10
8000-812-288	N/A	94-375-15	94-374-10	94-379-01	94-391-25	94-385-31	94-385-31	11-150-10
8000-812-639	N/A	N/A	N/A	N/A	94-390-15	94-385-31	94-385-31	11-150-10
8000-813-188	N/A	94-375-15	94-374-10	94-378-01	94-391-25	N/A	94-385-32	11-150-10
8000-813-238	N/A	94-375-15	94-374-10	94-379-01	N/A	N/A	94-385-32	11-150-10
8000-813-288	N/A	95-375-18	94-374-08	94-379-01	N/A	N/A	94-385-32	11-150-10
8000-853-238	N/A	94-375-15	94-374-10	94-379-01	94-390-15	N/A	94-385-32	11-127-10
8000-883-238	N/A	94-375-15	94-374-05	94-379-01	94-390-15	N/A	94-385-32	11-179-00
8000-912-288	N/A	95-375-18	94-374-09	94-379-01	94-391-26	94-385-31	94-385-31	11-150-10
8000-933-250	N/A	N/A	N/A	94-379-01	94-391-06	N/A	94-385-32	11-150-00
8000-953-238	N/A	95-375-18	94-374-09	94-379-01	94-390-06	N/A	94-385-32	11-127-10
8002-793-238	94-380-43	95-375-18	94-374-16	94-379-01	94-390-06	N/A	94-385-32	11-111-00
8005-233-236	N/A	94-375-06	94-374-09	94-379-00	94-390-08	N/A	94-385-03	11-150-00
8005-733-155	94-382-25	94-375-06	94-374-16	94-378-00	94-391-23	94-395-06	94-385-03	11-150-00
8005-733-255	N/A	94-375-06	94-374-09	94-379-00	94-391-23	94-395-06	94-385-03	11-150-00
8006-543-250	94-382-09	N/A	N/A	94-379-00	94-391-09	N/A	94-385-32	11-111-07
8006-913-238	94-380-43	95-375-18	94-374-16	94-379-01	94-390-06	N/A	94-385-32	11-150-17
8007-543-836	N/A	94-375-06	94-374-08	94-379-00	94-390-05	94-385-32	94-385-32	11-184-02
8007-543-850	94-382-09	N/A	N/A	94-379-00	94-391-09	N/A	94-385-32	11-184-04
8007-591-236	N/A	94-375-06	94-374-08	94-379-00	94-390-05	94-395-06	N/A	11-148-00
8007-593-836	N/A	94-375-06	94-374-08	94-379-00	94-390-05	N/A	94-385-32	11-184-01
8007-593-850	94-382-09	N/A	N/A	94-379-00	94-391-09	N/A	94-385-32	11-184-03
8020-503-250	N/A	N/A	N/A	94-379-00	94-391-09	94-395-06	94-385-03	11-194-00
8020-513-236	94-380-02	94-375-05	94-374-10	94-379-00	94-390-05	94-395-06	94-385-03	11-194-01
8020-822-299	N/A	N/A	N/A	N/A	94-390-15	94-395-16	94-385-04	11-195-00
8020-832-288	94-382-02	94-375-15	94-374-10	94-379-01	94-391-25	94-395-16	94-385-04	11-195-01
8020-833-238	94-380-28	94-375-15	94-374-10	94-379-01	N/A	94-395-16	94-385-03	11-195-01
8025-213-236	N/A	94-375-06	94-374-09	94-379-00	94-390-08	94-395-06	94-385-03	11-194-01
8025-733-256	N/A	94-375-06	94-374-16	94-379-01	94-391-06	94-395-16	94-385-03	11-195-01
8030-813-239	N/A	84-375-20	N/A	94-379-01	94-390-15	N/A	94-385-32	11-227-00
8030-843-250	94-382-23	N/A	94-374-10	94-379-01	N/A	N/A	94-385-32	11-206-02
8030-853-250	94-382-23	N/A	94-374-10	94-379-01	N/A	N/A	94-385-32	11-208-02
8030-863-239	N/A	84-375-20	N/A	94-379-01	94-390-15	N/A	94-385-32	11-223-00
8035-963-239	N/A	84-375-20	94-374-09	94-379-01	94-390-06	N/A	94-385-32	11-223-00
8090-212-246	N/A	94-229-04	94-374-09	94-379-00	94-390-08	94-385-31	94-385-31	11-160-00
8090-262-246	94-380-20	94-229-04	94-374-09	94-379-00	94-390-08	N/A	94-385-04	11-200-00 ++
8090-511-246	N/A	94-229-04	N/A	94-379-00	94-390-05	N/A	94-385-30	11-160-00
8090-512-256	N/A	94-229-04	94-374-08	94-379-00	N/A	94-385-31	94-385-31	11-160-00
8090-801-248	N/A	94-229-08	N/A	94-379-01	94-390-15	N/A	94-385-30	11-160-10
8090-802-278	N/A	94-229-05	94-374-10	94-379-01	94-391-25	94-385-31	94-385-31	11-160-10
8090-811-250	N/A	N/A	N/A	94-379-01	94-391-15	N/A	94-385-30	11-160-00
8090-902-248	N/A	94-229-08	94-374-16	94-379-01	94-390-06	94-385-31	94-385-31	11-160-10
8090-902-278	N/A	94-229-08	94-374-09	94-379-01	94-391-26	94-385-31	94-385-31	11-160-10
8090-911-250	N/A	N/A	N/A	94-379-01	94-391-06	N/A	94-385-30	11-160-00
8090-941-278	94-382-39	94-229-08	94-374-16	94-379-03	N/A	N/A	94-385-30	11-201-00 ++
8090-951-250	N/A	N/A	N/A	94-379-01	94-391-06	94-395-16	N/A	11-200-00 ++
8090-961-250 **	94-380-26	N/A	N/A	94-379-01	94-391-06	94-395-16	N/A	11-200-00 ++

\*\* Comes with LCR RFI filter for full suppression

++ Partially suppressed motors