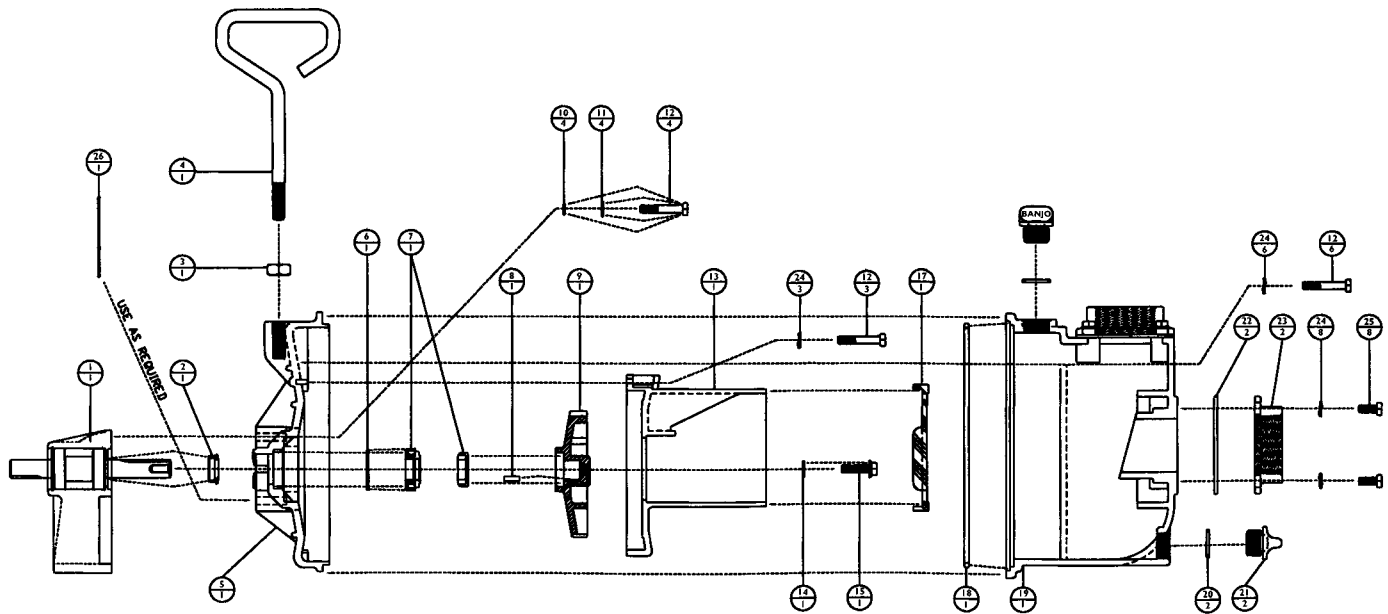


222 Series Banjo Pump



Item Qty	Part Number	Description	Assembly	Material	
1	1	12882A	BEARING PEDESTAL ASSY	222PBI	
1	1	12600	HYDRAULIC PDSTL ASSY	222PIHY	
1	1	E5	5.5 HP INTEK	222PI5	
1	1	E5H	5.5 HP HONDA	222PIH5	
2	1	12716	PUMP SLINGER	ALL ASSY'S	EPDM
3	1	17010	1/2" JAM NUT		18-8 SS
4	1	15022	2" PUMP HANDLE		STEEL
5	1	15703	REAR BRACKET		CAST IRON
6	1	12710	2-029 ORING	SEE NOTE 1	EPDM
6	1	12710V	2-029 ORING	SEE NOTE 2	Viton
7	1	12713V	SEAL ASSEMBLY	ALL ASSY'S	Viton
8	1	12901A	3/16 sq x 5/8" KEY		18-8 SS
9	1	15772	5 VANE IMPELLER		CAST IRON
10	4	12717	2-011 ORING	SEE NOTE 1	EPDM
10	4	12717V	2-011 ORING	SEE NOTE 2	Viton
11	4	12901	5/16" FLAT WASHER		18-8 SS
12	13	12715A	HHCS 5/16-24x1.75		18-8 SS
13	1	15702	VOLUTE		CAST IRON
14	1	12774VA	IMPELLER BOLT GASKET	ALL ASSY'S	Viton
15	1	12765A	HHFS 5/16-24x1.13		18-8 SS
17	1	12705	CHECK VALVE	SEE NOTE 1	EPDM
17	1	12705V	CHECK VALVE	SEE NOTE 2	Viton
18	1	12719A	2-375 ORING	SEE NOTE 1	EPDM
18	1	12719AV	2-375 ORING	SEE NOTE 2	Viton
19	1	15712	PUMP BODY ASSY		CAST IRON
20	2	13778	2-119 ORING	SEE NOTE 1	EPDM
20	2	13778V	2-119 ORING	SEE NOTE 2	Viton
21	2	13777	PRIME/DRAIN PLUG		POLY

Item Qty	Part Number	Description	Assembly	Material	
22	2	17013	FLANGE GASKET	SEE NOTE 1	EPDM
22	2	17014	FLANGE GASKET	SEE NOTE 2	Viton
23	2	17000	2" INLET FLANGE		CAST IRON
24	17	V10118	5/16" LOCKWASHER		18-8 SS
25	8	17019	HHCS 5/16-18x0.75"		18-8 SS
26	*	15751	BRACKET SHIM	AS REQ'D	FIBER
N/S	1PR	17033	Z-RAILS (PR)	ENGINES ONLY	STEEL
N/S	4	17034	HHCS 5/16-18x1.5"	ENGINES ONLY	CAD PLATE
N/S	4	V10119	5/16"-18 HEX NUT	ENGINES ONLY	18-8 SS
N/S	4	V10118	5/16" LOCKWASHER	ENGINES ONLY	18-8 SS
N/S		15000	REPAIR KIT	EPDM ASSY'S	
N/S		15999	SEAL KIT	EPDM ASSY'S	
N/S		15000V	REPAIR KIT	VITON ASSY'S	
N/S		15999V	SEAL KIT	VITON ASSY'S	

NOTE 1: EPDM GASKETS, SEALS, AND ORINGS USED IN THE FOLLOWING ASSEMBLIES UNLESS OTHERWISE NOTED: 222PBI, 222PIHY, 222PI5, 222PIH5, 222POI.

NOTE 2: VITON GASKETS, SEALS, AND ORINGS USED IN THE FOLLOWING ASSEMBLIES UNLESS OTHERWISE NOTED: 222PBIV, 222PIHYV, 222PI5V, 222PIH5V, 222POIV.