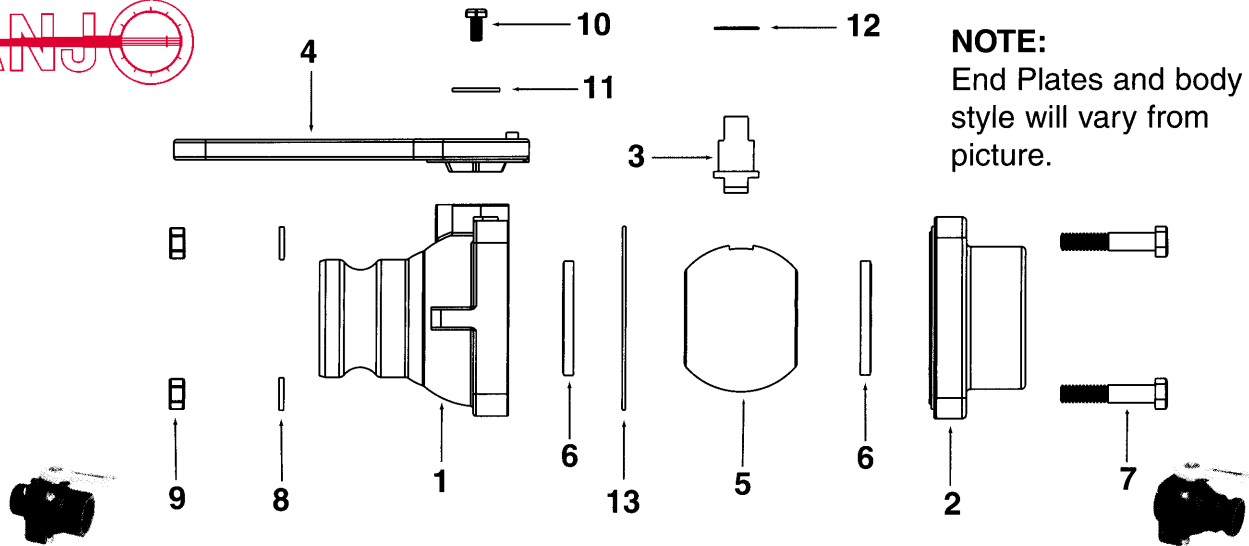


"Stubby Valve" 2" Full Port Ball Valves



REPLACEMENT PARTS - VSMT204FP			
ITEM	PART NO.	DESCRIPTION	QTY.
1	VFT25254	2" FP Stubby Female NPT Body	1
2	VSMT25356	2" FP Stubby MPT 4 Bolt EP	1
3	VS20151	Stem	1
4	VS25153	2" FP Stubby Handle	1
5	VS25255	2" FP Stubby Ball - Machined	1
6	VS25258A	2" FP Stubby Valve Seat	2
7	V20010SS	3/8" - 16 x 2" S.S. Bolt	4
8	V20018	3/8" S.S. Lock Washer	4
9	V20019	3/8" S.S. Body Nut	4
10	V20020	Retaining Bolt	1
11	V20021	Flat Handle Washer	1
12	V20060	PFTE Bearing - Gasket	2
13	V25214V	FKM (viton type) Valve Body Seal	1

REPLACEMENT PARTS - VSF204FP			
ITEM	PART NO.	DESCRIPTION	QTY.
1	VF25254	2" FP Stubby Male Quick Connect Body	1
2	VS25356	2" FP Stubby Female NPT Endplate	1
3	VS20151	Stem	1
4	VS25153	2" FP Stubby Handle	1
5	VS25255	2" FP Stubby Ball - Machined	1
6	VS25258A	2" FP Stubby Valve Seat	2
7	V20010SS	3/8" - 16 x 2" S.S. Bolt	4
8	V20018	3/8" S.S. Lock Washer	4
9	V20019	3/8" S.S. Body Nut	4
10	V20020	Retaining Bolt	1
11	V20021	Flat Handle Washer	1
12	V20060	PFTE Bearing - Gasket	2
13	V25214V	FKM (viton type) Valve Body Seal	1

REPLACEMENT PARTS - VS204FP			
ITEM	PART NO.	DESCRIPTION	QTY.
1	VFT25254	2" FP Stubby Female NPT Body	1
2	VS25356	2" FP Stubby 4-Bolt Female NPT End Plate	1
3	VS20151	Stem	1
4	VS25153	2" FP Stubby Handle	1
5	VS25255	2" FP Stubby Ball - Machined	1
6	VS25258A	2" FP Stubby Valve Seat	2
7	V20010SS	3/8" - 16 x 2" S.S. Bolt	4
8	V20018	3/8" S.S. Lock Washer	4
9	V20019	3/8" S.S. Body Nut	4
10	V20020	Retaining Bolt	1
11	V20021	Flat Handle Washer	1
12	V20060	PFTE Bearing - Gasket	2
13	V25214V	FKM (viton type) Valve Body Seal	1

REPLACEMENT PARTS - VSFMT204FP			
ITEM	PART NO.	DESCRIPTION	QTY.
1	VF25254	2" FP Stubby Body - Female NPT	1
2	VSMT25356	2" FP Stubby MPT 4 Bolt EP	1
3	VS20151	Stem	1
4	VS25153	2" FP Stubby Handle	1
5	VS25255	2" FP Stubby Ball - Machined	1
6	VS25258A	2" FP Stubby Valve Seat	2
7	V20010SS	3/8" - 16 x 2" S.S. Bolt	4
8	V20018	3/8" S.S. Lock Washer	4
9	V20019	3/8" S.S. Body Nut	4
10	V20020	Retaining Bolt	1
11	V20021	Flat Handle Washer	1
12	V20060	PFTE Bearing - Gasket	2
13	V25214V	FKM (viton type) Valve Body Seal	1