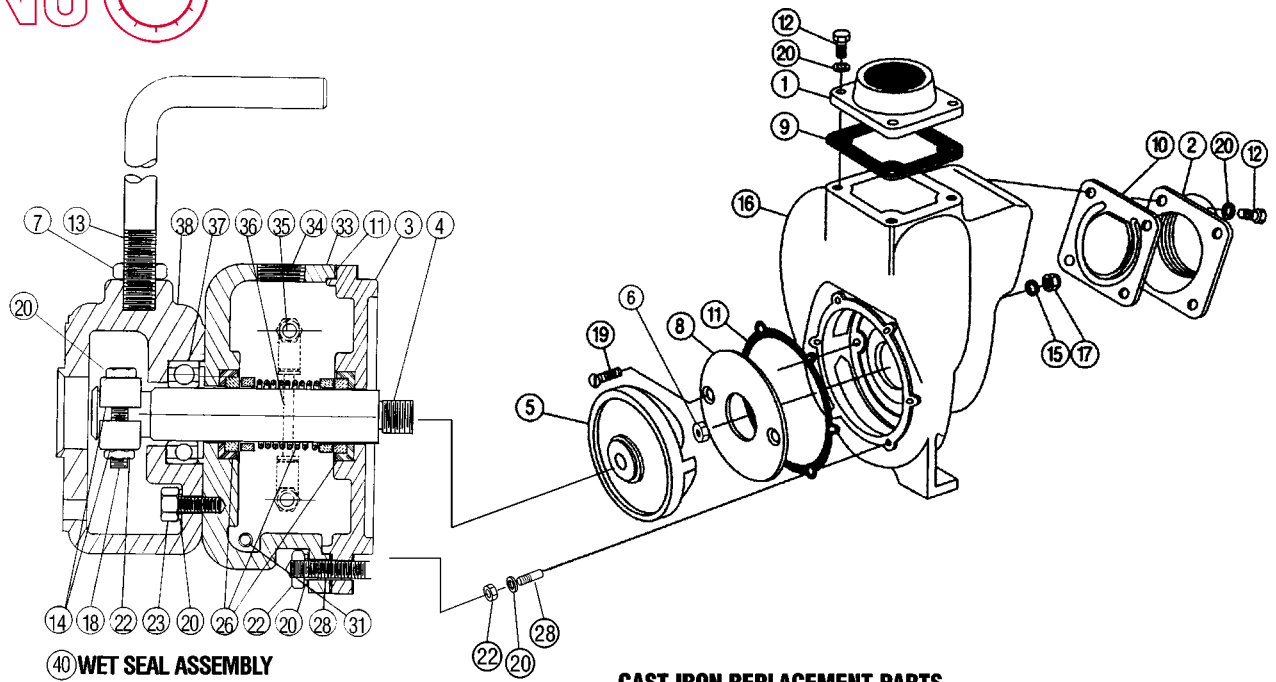


# 2" Banjo Wet Seal Pedestal Pump, Self Priming



### STAINLESS STEEL REPLACEMENT PARTS

ITEM	PART NO.	DESCRIPTION	QUANTITY
1	1700SS	Flange — Outlet 2"	1
2	17002SS	Flange — Inlet 20° 2"	1
3	17202SS	Coverplate	1
4	17205	Sleeve — Drive 5/8"	1
4	17206*	Sleeve — Drive 3/4"	1
4	17207	Sleeve — Drive 1/8"	1
5	17208SS*	Impeller	1
6	17009SS	Impeller Nut	1
7	17010	Nut, Hex 1/2" — 13 UNF — RH	1
8	17011SS*	Plate — Wear	1
9	17014	Gasket — Outlet Viton	1
10	17017	Gasket & Flap Viton	1
11	17018*	Gasket — Adapter	2
12	17019	Capscrew 5/16" — 18 x 3/4"	8
13	17022	Handle	1
14	17023	Clamp, 5/8", 3/4" Shaft (Old Style)	1
14	17123	Clamp, 5/8" 3/4" Shaft (Keyed)	1
14	17024	Clamp, 1/8" Shaft (Old Style)	1
15	17025*	Gasket-Wear Plate	1
16	17026SS	Pump Housing	1
17	17027	Nut, Acorn 5/16" — 18	2
18	17029	Capscrew 5/16" — 18 x 1 3/4"	2
19	17030SS*	Flat Head 82° C'SK. Screw	2
20	V10118	Lock Washer 5/16"	16
22	V10119	5/16" — 18 Hex Nut S.S.	8
23	17019	Capscrew 5/16" — 18 x 3/4"	4
26	17235*	Seal Assy. (Viton)	1
28	17242	Housing Stud	6
31	17032SS	Drain Plug — 1/4"	1
33	17201	Reservoir	1
34	17210	1/2" Fill Plug	1
35	17211	Male Elbow — Legris 3/16"	2
36	17212	Liquid Level Tube	1
37	17213	Bearing Peer 1641	1
38	17203	Adapter, Wet Seal	1
N/S	17100WSS	Pump Repair Kit (1 1/2" & 2") (Consists of items marked *)	1
40	17200SS	SS Wet Seal Assembly Conversion	1

### CAST IRON REPLACEMENT PARTS

ITEM	PART NO.	DESCRIPTION	QUANTITY
1	17000	Flange — Outlet 2"	1
1	17001	Flange — Outlet 1 1/2"	1
2	17002	Flange — Inlet 20° 2"	1
2	17003	Flange — Inlet 20° 1 1/2"	1
3	17202	Coverplate	1
4	17205	Sleeve — Drive 5/8"	1
4	17206*	Sleeve — Drive 3/4"	1
4	17207	Sleeve — Drive 1/8"	1
5	17208*	Impeller	1
6	17009B	Nut, Hex 5/8" — 18 UNF — RH	1
7	17010	Nut, Hex 1/2" — 13 UNF — RH	1
8	17011*	Plate — Wear	1
9	17013	Gasket EPDM	1
10	17016	Gasket & Flap EPDM	1
11	17018*	Gasket — Adapter	2
12	17019	Capscrew 5/16" — 18 x 3/4"	8
13	17022	Handle	1
14	17023	Clamp, 5/8", 3/4" Shaft (Old Style)	1
14	17123	Clamp, 5/8" 3/4" Shaft (Keyed)	1
14	17024	Clamp, 1/8" Shaft (Old Style)	1
15	17025*	Gasket-Wear Plate	2
16	17026	Pump Housing	1
17	17027	Nut, Acorn 5/16" — 18	2
18	17029	Capscrew 5/16" — 18 x 1 3/4"	2
19	17030*	Flat Head 82° C'SK. Screw	2
20	V10118	Lock Washer 5/16"	16
22	V10119	5/16" — 18 Hex Nut S.S.	8
23	17019	Capscrew 5/16" — 18 x 3/4"	4
26	17235*	Seal Assy. (Viton)	1
28	17242	Housing Stud	6
31	17032	Drain Plug — 1/4"	1
33	17201	Reservoir	1
34	17210	1/2" Fill Plug	1
35	17211	Male Elbow — Legris 3/16"	2
36	17212	Liquid Level Tube	1
37	17213	Bearing Peer 1641	1
38	17203	Adapter, Wet Seal	1
N/S	17100W	Pump Repair Kit (1 1/2" & 2") (Consists of items marked *)	1
40	17200	Wet Seal Assembly Conversion	1