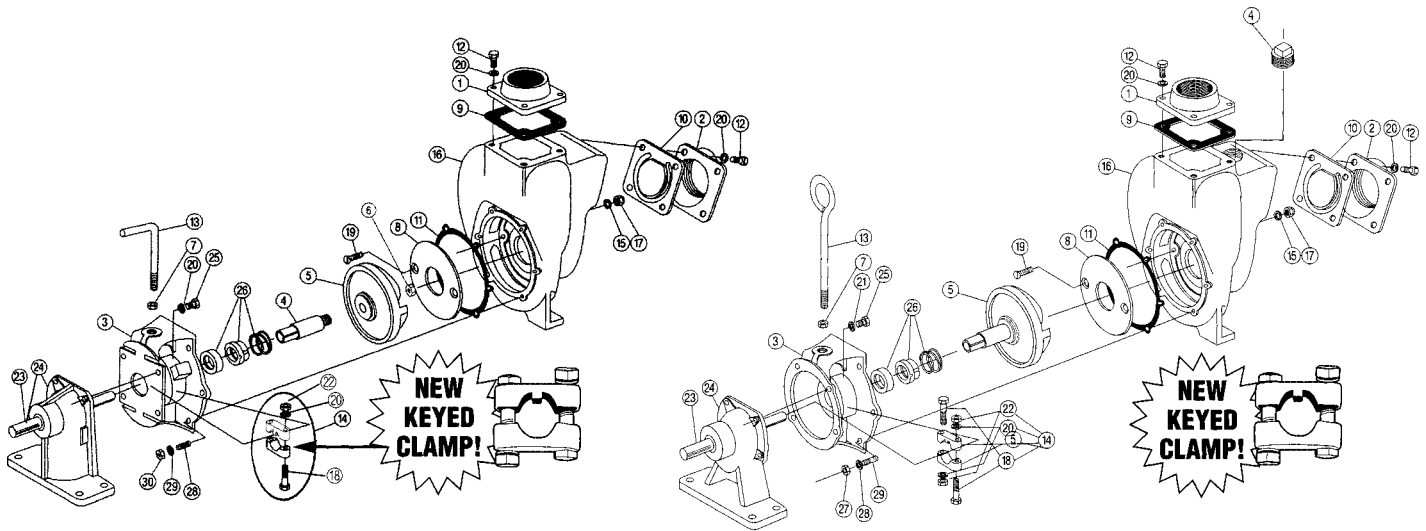


316 Banjo Stainless Steel Pumps



2" REPLACEMENT PARTS - STAINLESS STEEL

ITEM	PART NO.	DESCRIPTION	QTY.
N/S	17100SS	Pump Repair Kit (Consists of items marked *)	1
1	17000SS	Flange — Outlet 2" SS	1
2	17002SS	Flange — Inlet 20° 2" SS	1
3	17004SS	Adapter — Gas Engine SS	1
3	17046SS	CF Adapter — For Closed Coupled Electric Drive Pump	1
4	17005SS	Sleeve — Drive 5/8" SS	1
4	17006SS*	Sleeve — Drive 3/4" SS	1
4	17007SS	Sleeve — Drive 7/8" SS	1
5	17008SS*	Impeller SS	1
5	17008-4.1SS	Impeller — 4.1"	1
5	17008-4.6SS	Impeller — 4.6"	1
6	17009B	Nut, Hex 1/2" — 13 UNC	1
8	17011SS*	Plate — Wear SS	1
9	17014	Gasket — Outlet (Viton)	1
10	17017	Gasket, Check Valve Assy. (Viton)	1
11	17018*	Gasket — Adapter	1
12	17019	Capscrew 5/16" — 18 x 3/4"	8
13	17022	Handle	1
14	17023	Clamp, 5/8" 3/4" Shaft SS (Old Style)	1
14	17123	Clamp, 5/8" 3/4" Shaft SS (Keyed) NEW!	1
14	17024	Clamp, 7/8" Shaft Old Style	1
15	17025*	Wear Plate Gasket	2
16	17026SS	Pump Housing SS	1
17	17027	Nut, Acorn 5/16" — 18	2
18	17029	Capscrew 5/16" — 18 x 1 3/4"	2
19	17030SS*	Flat Head 82° C/SK. Screw SS	2
20	V10118	Lock Washer 5/16"	16
23	12882R	3/4" Shaft only	1
24	12882A	Complete Pedestal Assy.	1
24	12882R	Bearing Pedestal Housing Only	1
N/S	12883B	Bearing Only	2
N/S	12884	Retaining Ring	1
25	17040	Cap Screw 5/16" — 24 NF	4
26	17035SS*	Seal Assy. (Viton) SS	1
28	17042	Stud	6
29	V10118	Lock Washer 5/16"	8
30	V10119	5/16" — 18 Hex Nut S.S.	1
N/S	17032SS	1/4" Drain Plug Stainless Steel	1

3" REPLACEMENT PARTS - STAINLESS STEEL

ITEM	PART NO.	DESCRIPTION	QTY.
N/S	18100SS	3" Pump Repair Kit (Consists of Items Marked *)	1
1	18008SS	Flange — Outlet 3" SS	1
2	18012SS	Flange — Inlet 3" SS	1
3	18026SS	Adapter — Gas Engine SS	1
3	18048SS	3" C Flange Adapter SS	1
4	18002SS	Plug 1" NPT Flush SS	1
5	18023SS*	Impeller Drive Sleeve — 1" SS	1
5	18023-1.125SS	Impeller Drive Sleeve — 1 1/8" SS	1
6	18003SS	Plug 1/2" NPT SS	1
7	18034	Nut, Jam 5/8" — 11 THD. SS	1
8	18004SS*	Plate — Wear SS	1
9	18044	Gasket — Outlet Viton	1
10	18042	Gasket — Check Valve Assy. (Viton)	1
11	18021*	Gasket — Adapter	1
12	18010SS	Capscrew Hex Hd. 3/8" — 16 x 1 1/8" Lg. SS	8
13	18033	Handle	1
14	18029	Clamp Assy. (Old Style)	1
14	18129	Clamp Assy. (Keyed) NEW!	1
15	18005*	Gasket-Wear Plate	2
16	18001SS	Pump Housing SS	1
17	18007	Nut, Acorn	2
18	18030	Bolt, 3/8" — 24 x 2 1/4" Lg. SS	2
19	18006SS*	Bolt, 3/8" — 16 x 1 1/4" Lg. x 82° C/SK SS	2
20	V20018	Lock Washer 3/8"	8
22	18032	Nut, 3/8" — 24 Hex. SS	2
23	18504	1" Shaft for 3" Pedestal	1
24	18500	Bearing Pedestal Assy.	1
25	18027	Capscrew 3/8" — 16 x 1 1/4"	4
26	18025SS*	Viton Seal Assy. SS	1
27	18032	Nut, 3/8" — 24, Hex SS	6
28	V20018	Washer, 3/8" Lock	6
29	18018	Stud	6