

Models 1824C, 1825C, 1826C and 1827C Parts List

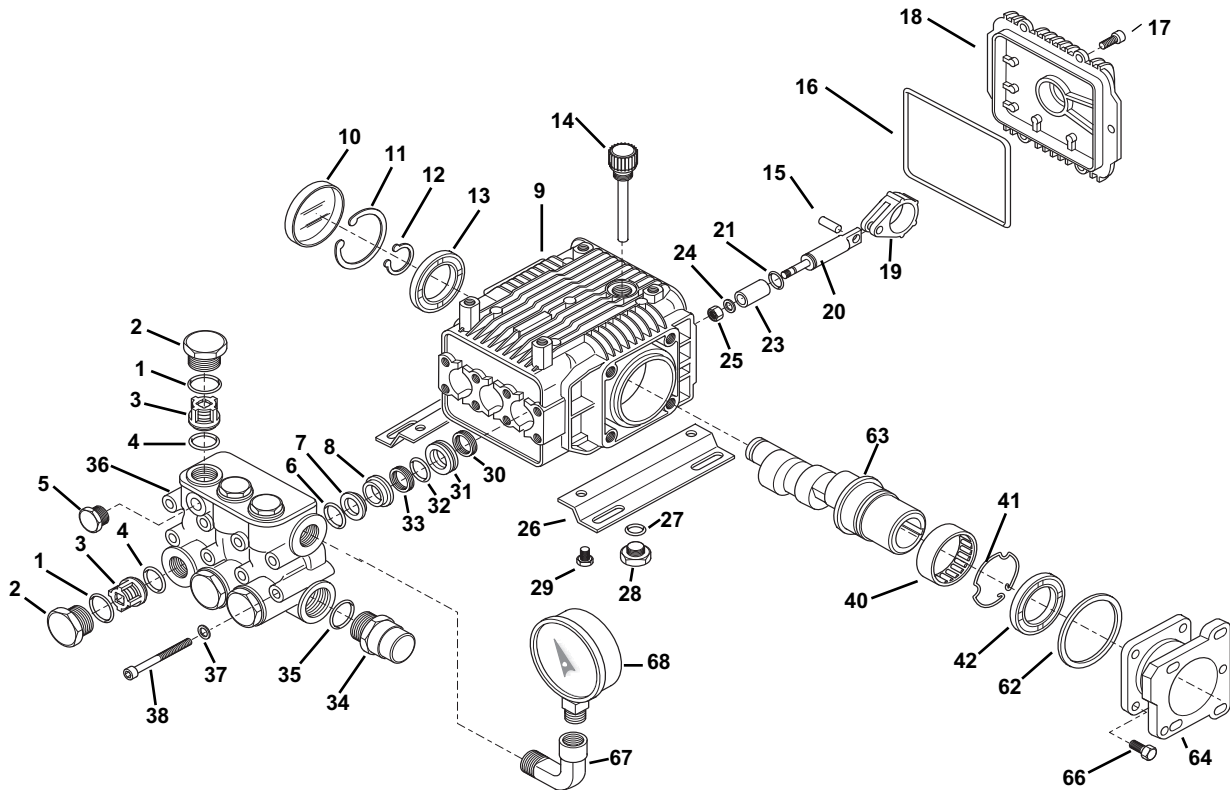


Figure 19
Replacement Pump Model 9910-XMA4G20F37 Exploded View for 1824C, 1825C, 1826C and 1827C

Ref. No.	Part No.	Description	Qty.
1	9910-960160	O-ring	6
2	9910-1260162	Plug	6
3 ¹	3400-0133	Valve	6
4 ¹	9910-880830	O-ring	6
5	9910-620301	Plug	1
6 ⁵	9910-1780140	Support Ring (only sold in kit)	3
7 ⁴	9910-1260220	Gasket (only sold in kit)	3
8	9910-1780110	Piston Guide	3
9	9910-1780010	Pump Body	1
10 ³	9910-1266740	Cap (only sold in kit)	1
11	9910-1260790	Retaining Ring (Internal)	1
12	9910-1780550	Retaining Ring (External)	1
13	9910-1780490	Bearing	1
14	9910-880130	Oil Cap	1
15	9910-1780050	Piston Pin	3
16 ³	9910-1780510	O-ring (only sold in kit)	1
17	9910-1200430	Socket Head Cap Screw	6
18	9910-1789010	Complete Cover	1
19	9910-1780040	Connecting Rod	3
20	9910-1780060	Guiding Piston	3
21	9910-480480	O-ring	3
22	9910-1260091	Spacer Disc	3
23 ²	9910-1780080	Piston (only sold in kit)	3
24	9910-1260100	Piston Washer	3

Ref. No.	Part No.	Description	Qty.
25	9910-1260110	Nut	3
26	9910-1380141	Base	2
27	9910-740290	O-ring	2
28	9910-1980740	Plug	2
29	9910-1260470	Screw	4
30 ³	9910-1260460	Seal	3
31	9910-1780120	Rear Piston Guide	3
32 ⁴	9910-770260	O-ring	3
33 ⁴	9910-1260450	Gasket (only sold in kit)	3
34	3312-0004	Thermal Relief Valve	1
35	9910-180101	O-ring	1
36	9910-1780020	Head	1
37	9910-1381550	Washer	8
38	9910-1322730	Socket Head Cap Screw	8
40	9910-1321190	Bearing	1
41	9910-1321080	Snap Ring	1
42 ³	9910-480671	Seal	1
62	9910-1780430	Bushing	1
63	9910-1780990	Hollow Shaft	1
64	9910-1780980	Gas Engine Flange	1
66	9910-180432	Bolt	4
67	2400-0048	Elbow	1
68	2640-0005	Pressure Gauge	1

¹ Denotes Valve Kit item. 9910-KIT1864

² Denotes Piston Kit item. 9910-KIT2746

³ Denotes Oil Seal Kit item. 9910-KIT2787

⁴ Denotes Water Seal Kit item. 9910-KIT2747

⁵ Denotes Support Ring Kit item. 9910-KIT2745