

GP FLOW SWITCH

TMT Flow Switch With Pilot Feature



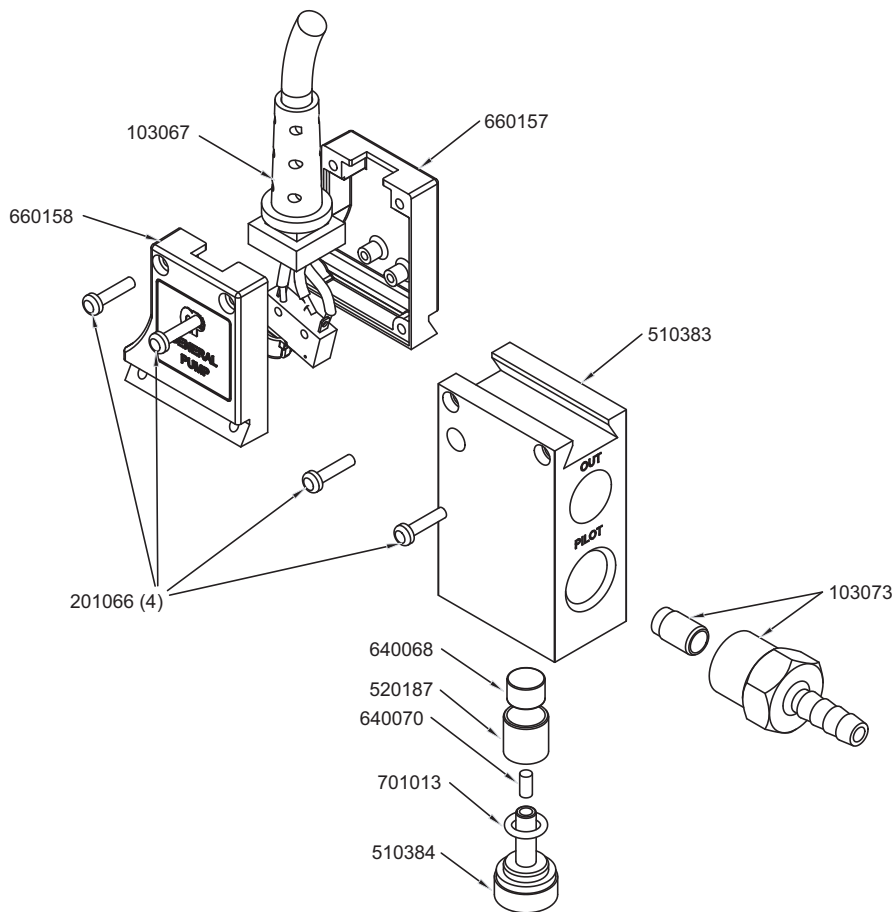
FEATURES

- Micro-switch technology eliminates reed switch
- Activates with as little as .5 gpm flow
- Minimal pressure drop up to 12 gpm flow
- Mount in vertical position

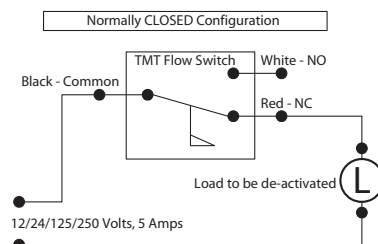
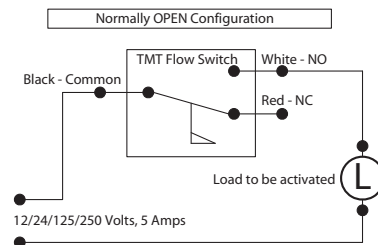
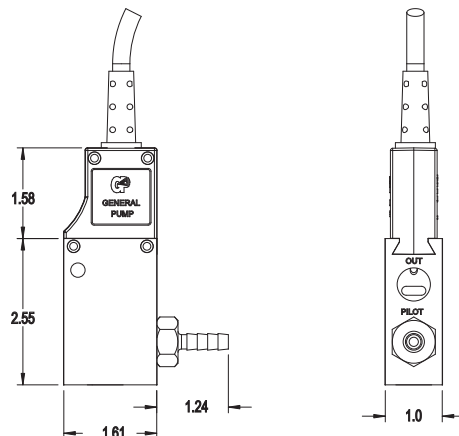
SPECIFICATIONS

Part Number	With Pilot	100879
	Without Pilot	100904
Maximum Operating Pressure		4000 PSI
Minimum Flow Required for Activation		0.5 GPM @ 50 PSI
Maximum Operating Flow		12.0 GPM
Operating Temperature Range		40 - 180 °F
Electrical Lead Length		48" - 18AWG
Switch Ratings	Max Switching Voltage	250 VAC
	Max Switching Current	5 AMPS
	Resistance with Leads	30 OHM
	Electrical Service Life	200,000 Cycles
	Mechanical Service Life	10,000,000 Cycles
Ports	Inlet	3/8" x 18 NPT-F
	Outlet	3/8" x 18 NPT-F
	Pilot	1/4" Hose Barb
Dimensions		4.1" x 1.6" x 1.0"
Weight		1.3 LBS
Materials	Buna-N, Brass, Plastic, Nickel Plated Neodymium	

EXPLOSION



DIMENSIONS AND SCHEMATIC

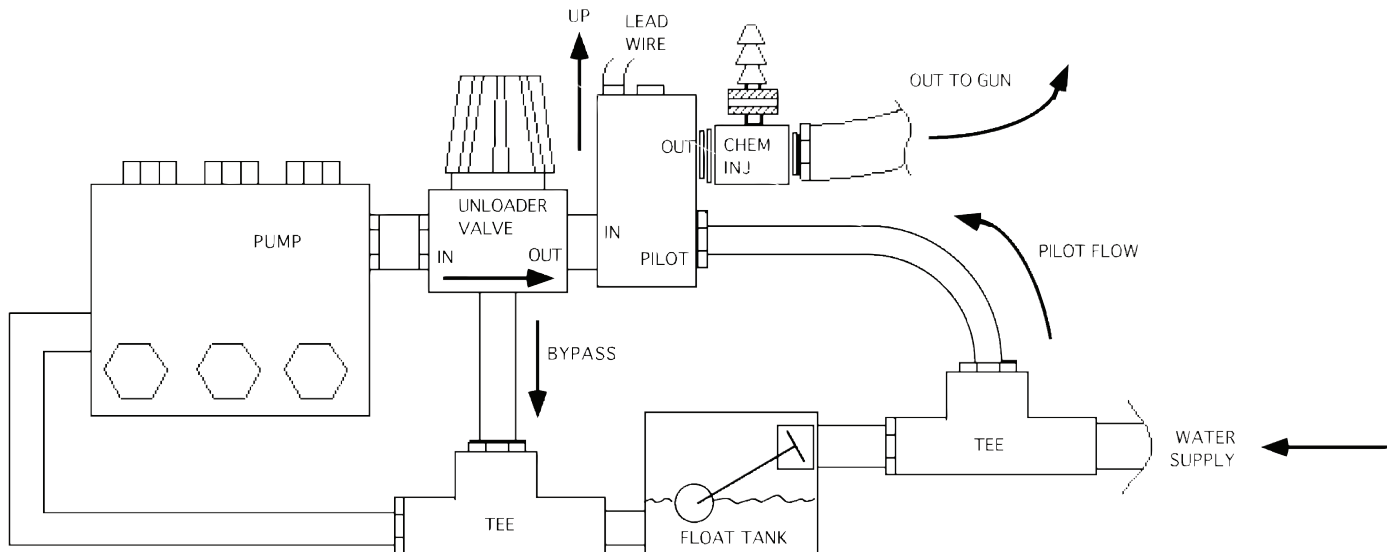


GP FLOW SWITCH

GENERAL PUMP A member of the Interpump Group

TMT Flow Switch With Pilot Feature

INSTALLATION



NOTE: When using this flow switch in a system containing a positive displacement pump, General Pump recommends the use of a safety relief device(s), correctly placed to protect all areas of the system.

Install the flow switch **vertically** to the output side of the unloader, with the 2 conductor lead wires exiting from the top. If your system uses a downstream chemical injector, it should be mounted on the output side of the flow switch.

Model 100879, with pilot feature, requires a direct connection to the water supply feed line to provide a pilot signal. This is accomplished by installing a tee fitting (with a 1/4" hose barb fitting) directly in the water supply feed line. The tee must be installed before the float valve. Install an appropriate length of 1/4" I.D. reinforced polyvinyl tubing between the tee fitting and the valve pilot port.

Ref 300524 Rev. D
12-07

GENERAL PUMP 1174 Northland Drive • Mendota Heights, MN 55120
Phone: (651)686-2199 • Fax: (800)535-1745 • e-mail: sales@gpcompanies.com • www.generalpump.com



GENERAL PUMP