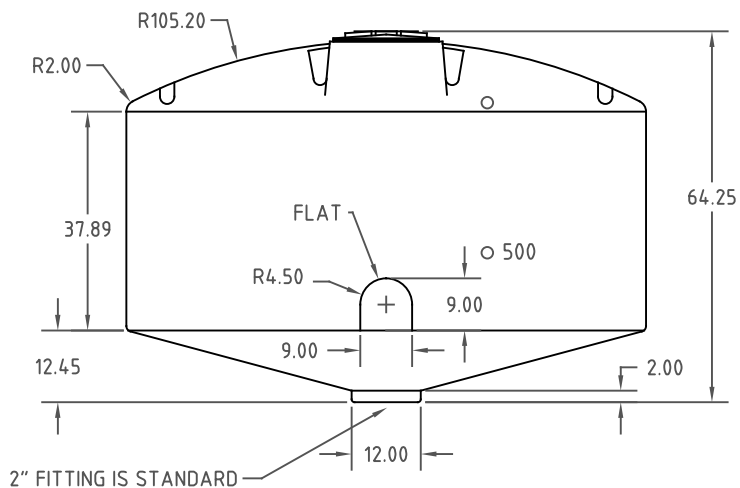
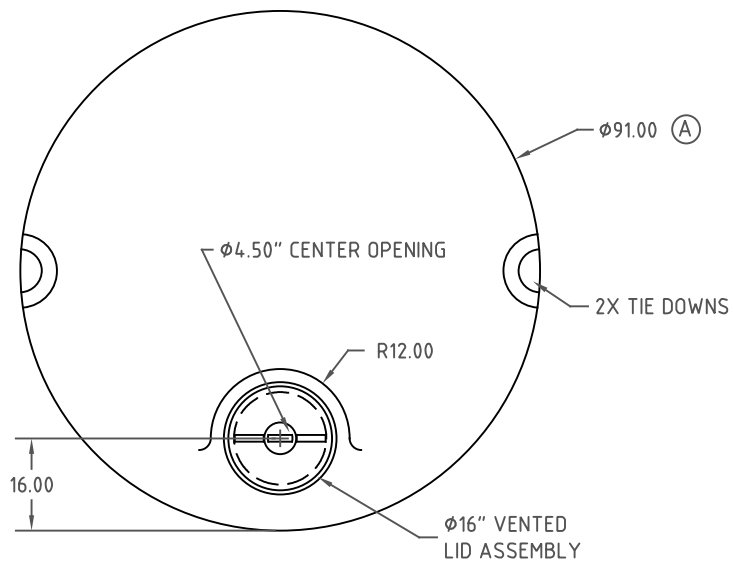


Copyright. All information furnished within this document, electronic file or design correspondence is the property of Den Hartog industries, Inc. and shall not be used, disclosed to others or copied without the expressed written consent of Den Hartog Industries, Inc.



				DRAWN / DATE DHJ 10/31/08	MATERIAL 10420 3 MELT
A	WAS 90	DHJ 5/11/17	3385	APPRD. / DATE REH 2/18/09	+
REV	DESCRIPTION	BY / DATE	CCN		
ALL DIMENSIONS ARE IN DECIMAL INCHES TOLERANCES UNLESS OTHERWISE SPECIFIED		THIRD ANGLE PROJECTION ANSI 14.5M		SHOT WEIGHT: 260 LBS.	NOTES: 1. .30 WALL
POLYETHYLENE	METAL DECIMAL $\pm .125$ " FRACTION $\pm 1/4$ " ANGLE $\pm 1^\circ$			SHIPPING WEIGHT: 262 LBS.	
$\pm 1\%$ @ 68° F				FINISH:	

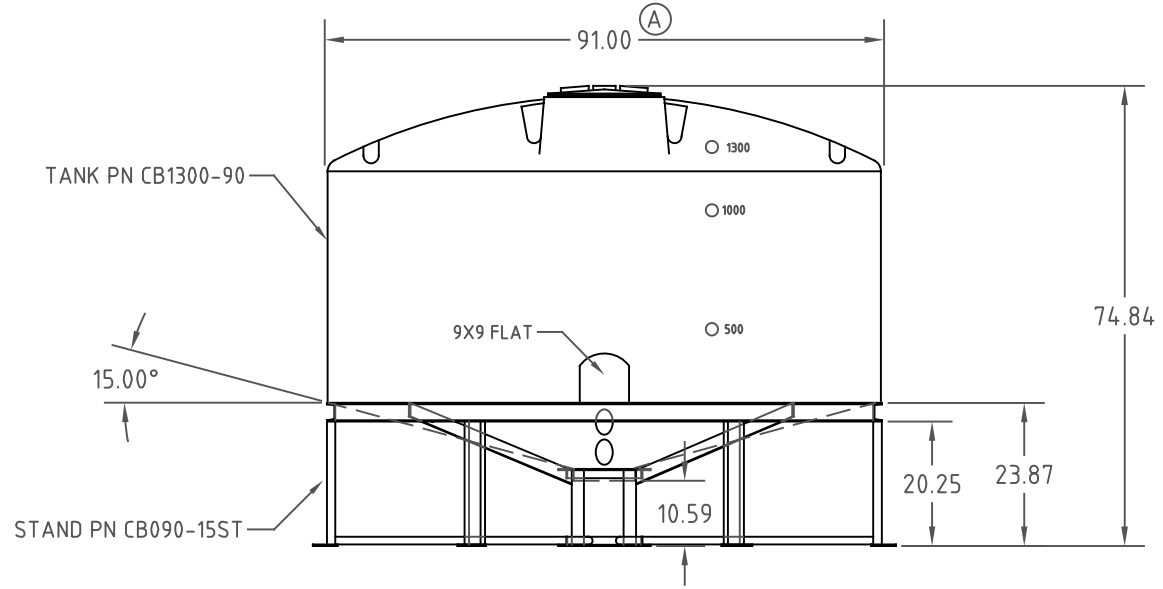
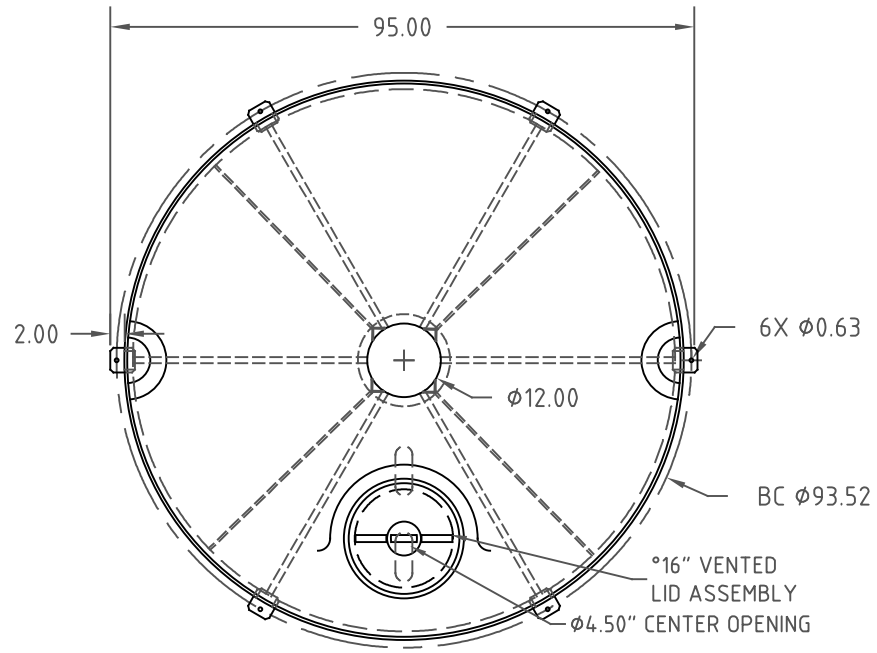


Den Hartog
INDUSTRIES, INC.

Ace Roto-Mold Injection Molding Blow Molding SawJoy
4010 HOSPERS DRIVE S. BOX 425, HOSPERS, IOWA 51238-0421

DESCRIPTION	1300 GALLON 15° CONE BOTTOM TANK		
SCALE	N.S.	PART NO.	CB1300-90

Copyright. All information furnished within this document, electronic file or design correspondence is the property of Den Hartog industries, Inc. and shall not be used, disclosed to others or copied without the expressed written consent of Den Hartog Industries, Inc.



		DRAWN / DATE DHJ 5/15/09		MATERIAL TANK MDPE OR EQUIVALENT STAND MILD STEEL	
A WAS 90		DHJ 5/11/17 3385		APPRD. / DATE REH 5/15/09	
REV	DESCRIPTION	BY / DATE	CCN		
ALL DIMENSIONS ARE IN DECIMAL INCHES TOLERANCES UNLESS OTHERWISE SPECIFIED		THIRD ANGLE PROJECTION ANSI 14.5M		SHOT WEIGHT: TANK 260 LBS. STAND WEIGHT: 380 LBS. FINISH: STAND BLACK POWDER COAT	
POLYETHYLENE ±1% @ 68° F		METAL DECIMAL ± .125" FRACTION ± 1/4" ANGLE ± 1°		NOTES: 1. WHITE OR YELLOW TANK	

Den Hartog
INDUSTRIES, INC.
Ace Roto-Mold Injection Molding Blow Molding SowJoy
4010 HOSPERS DRIVE S. BOX 425, HOSPERS, IOWA 51238-0421

DESCRIPTION	1300 GALLON Ø90"15° CONE BOTTOM TANK AND STAND	
SCALE	N.S.	PART NO. CB1300-90/90-15ST