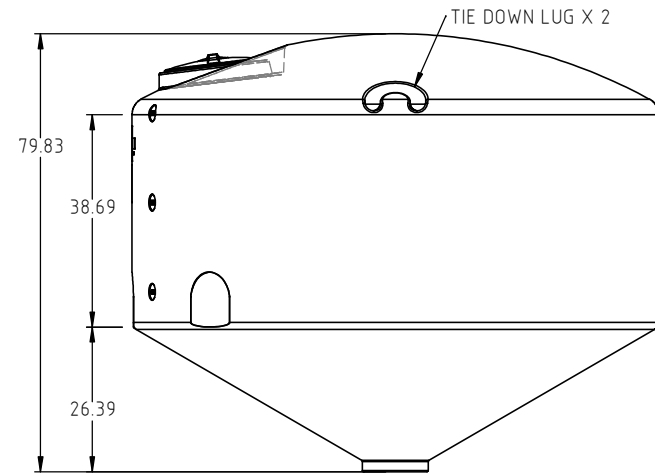
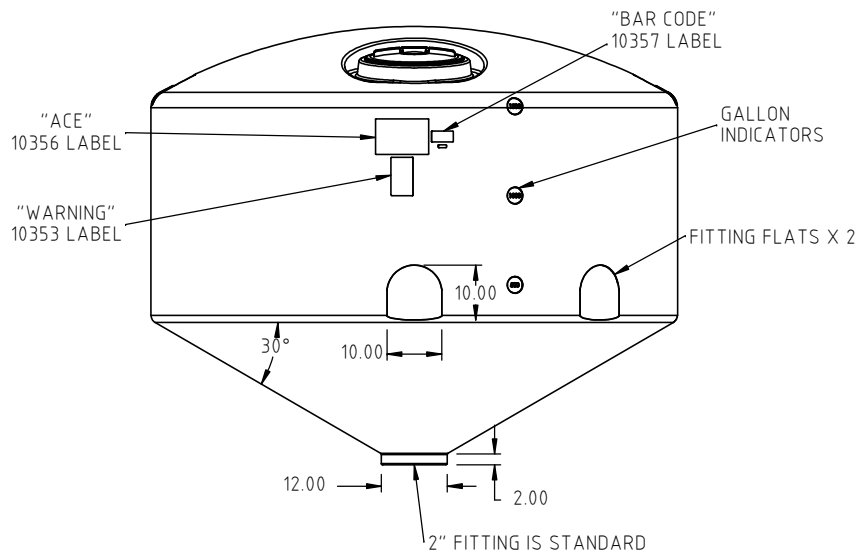
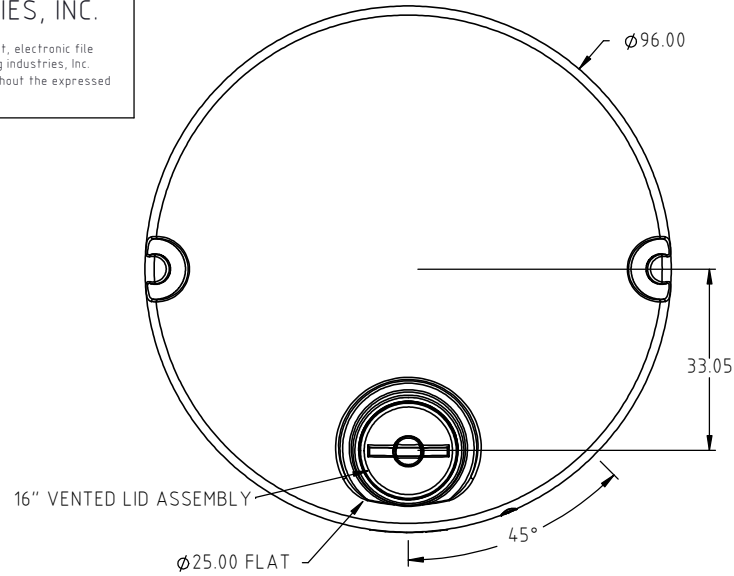


Copyright. All information furnished within this document, electronic file or design correspondence is the property of Den Hartog industries, Inc. and shall not be used, disclosed to others or copied without the expressed written consent of Den Hartog Industries, Inc.



				DRAWN / DATE DHJ 12/19/13	MATERIAL POLYETHYLENE REFERENCE MATERIAL DATA SHEET FOR SPECIFIC PROPERTIES.
				APPRD. / DATE REH 6/5/14	
REV	DESCRIPTION	BY / DATE	CCN	SHOT WEIGHT: 250.00 LBS	NOTES: 1.) .250 WALL AT SIDE SUMP
	ALL DIMENSIONS ARE IN DECIMAL INCHES TOLERANCES UNLESS OTHERWISE SPECIFIED	THIRD ANGLE PROJECTION ANSI 14.5M		SHIPPING WEIGHT: 252.00 LBS	
	POLYETHYLENE $\pm 1\%$ @ 68°F	METAL DECIMAL $\pm .125"$ FRACTION $\pm 1/4"$ ANGLE $\pm 1^\circ$		FINISH:	



Den Hartog
INDUSTRIES, INC.

Ace Roto-Mold Injection Molding Blow Molding Sowjoy

4010 HOSPERS DRIVE S. BOX 425, HOSPERS, IOWA 51238-0425

DESCRIPTION	1500 GALLON 30° CONE BOTTOM TANK	
SCALE	N.S.	PART NO. CB1500-96