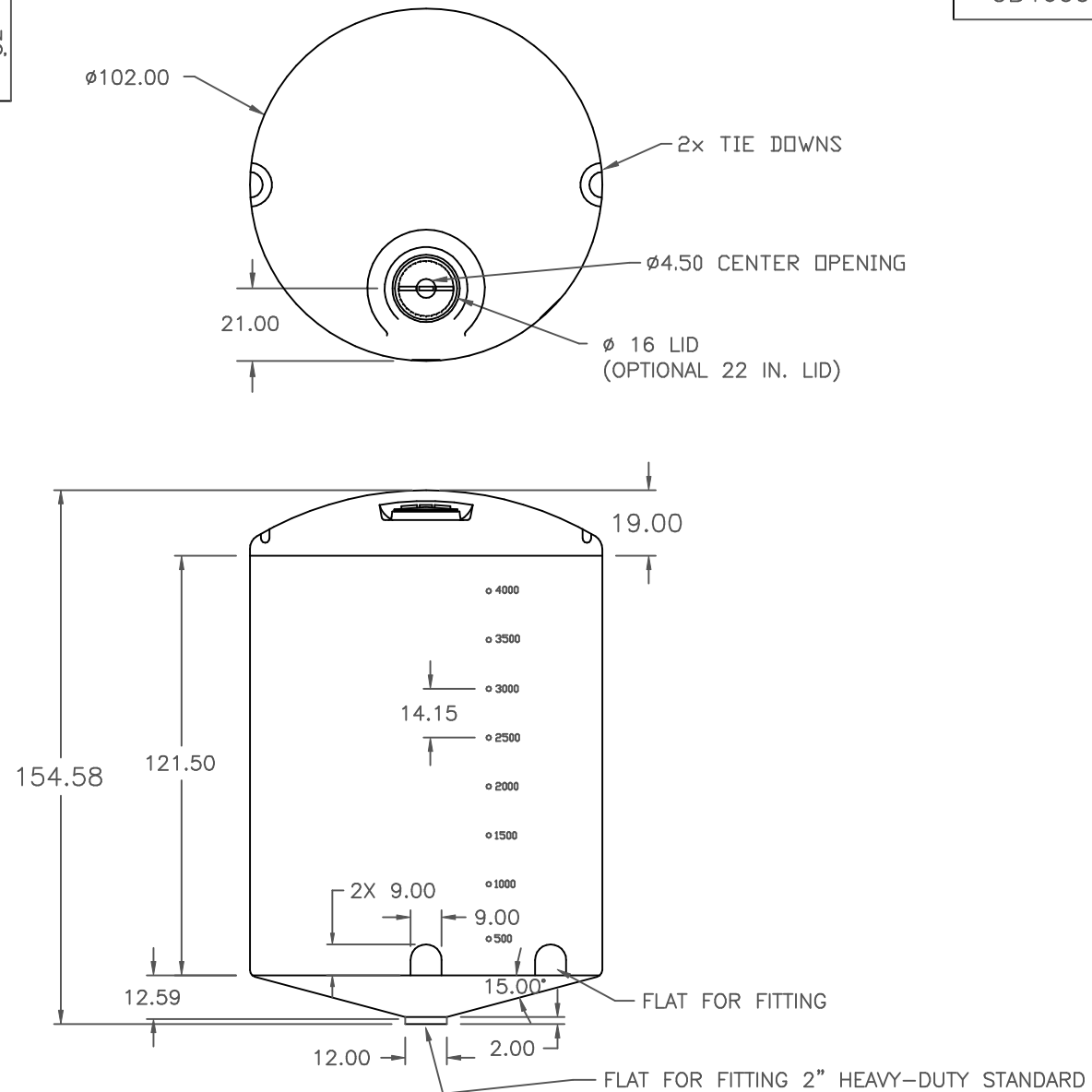



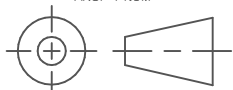
PROPRIETARY DATA

PROPERTY OF DEN HARTOG INDUSTRIES, INC. INFORMATION FURNISHED HEREIN IS THE PROPERTY OF DEN HARTOG INDUSTRIES, INC. AND SHALL NOT BE USED, DISCLOSED TO OTHERS, OR COPIED WITHOUT THE EXPRESSED WRITTEN CONSENT OF DEN HARTOG INDUSTRIES, INC. ALL RIGHTS RESERVED.

CB4600-102

A



				DRAWN / DATE DHJ 4/15/04	MATERIAL	 <b>ACE ROTO-MOLD</b> A DIVISION OF DEN HARTOG INDUSTRIES, INC. 4010 HWY. 60 BLVD., BOX 425, HOSPERS, IOWA 51238	
A	ADDED TOTAL HEIGHT DIM.	6/29/06	NVE	APPRD. / DATE REH 4/18/07	HDPE OR EQUIVALENT REFERENCE MATERIAL DATA SHEET FOR SPECIFIC PROPERTIES.		
REV	DESCRIPTION	DATE	APPRD			CLIENT / DESCRIPTION 4600 GALLON $\phi$ 102" 15° CONE BOTTOM TANK	
ALL DIMENSIONS ARE IN DECIMAL INCHES TOLERANCES UNLESS OTHERWISE SPECIFIED $\pm$ 1% @ 68° F				THIRD ANGLE PROJECTION ANSI 14.5M 	NOTES: 1. WHITE OR YELLOW COLOR 2. SHOT WEIGHT 1200 LBS.	SCALE N.S.	PART NO. CB4600-102