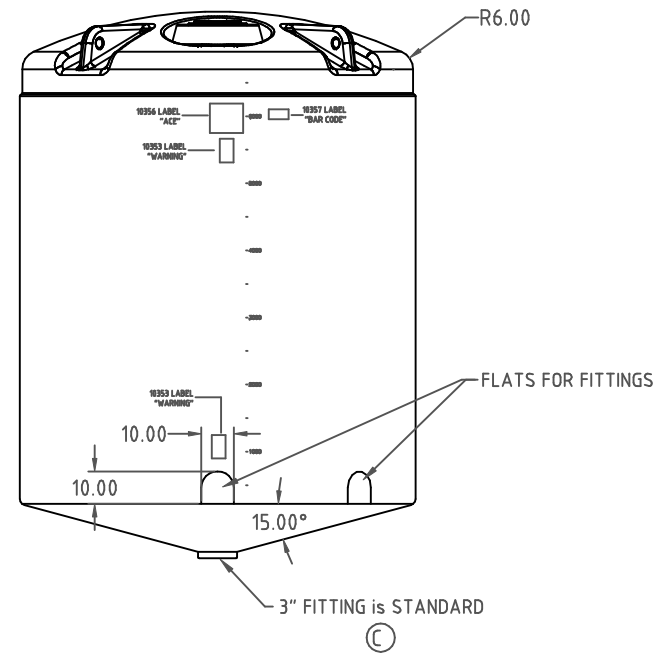
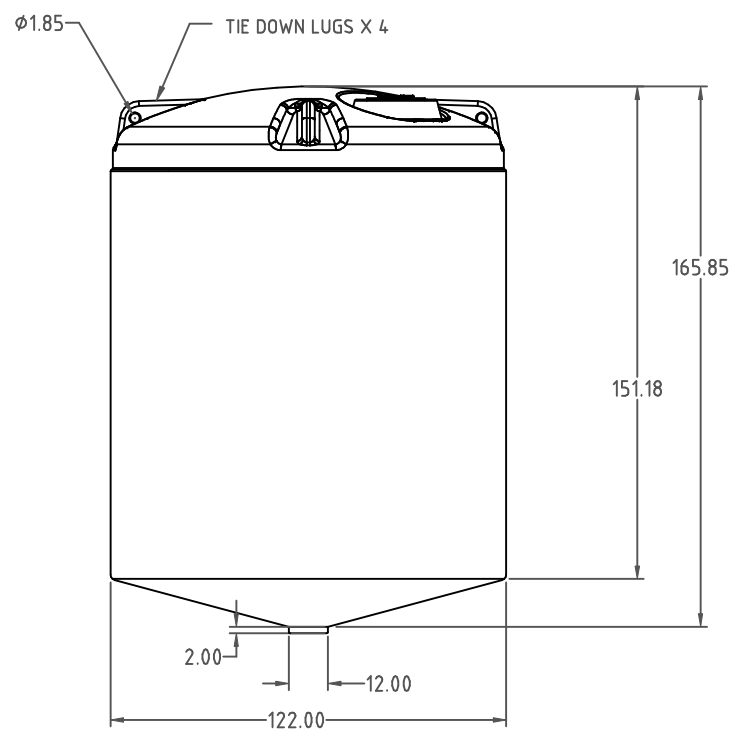
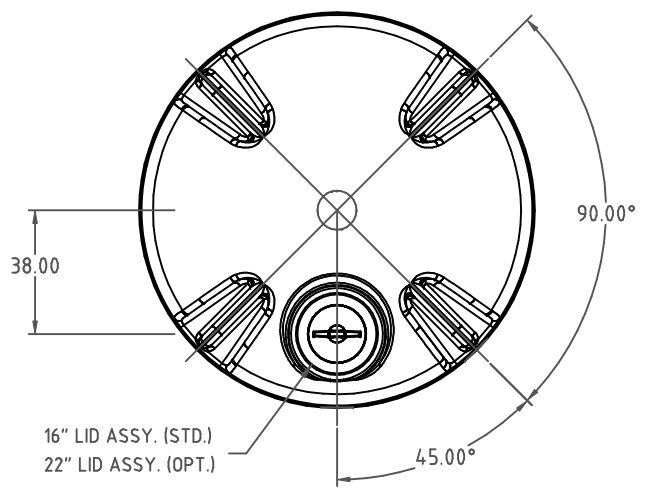



Copyright. All information furnished within this document, electronic file or design correspondence is the property of Den Hartog industries, Inc. and shall not be used, disclosed to others or copied without the expressed written consent of Den Hartog industries, Inc.



REV	DESCRIPTION	BY / DATE	CCN
B	CHANGED STANDARD FITTING FROM 2" TO 3"	3/31/10 DHJ	2013
A	CHANGED PART NUMBER	DHJ 5/7/09	
ALL DIMENSIONS ARE IN DECIMAL INCHES TOLERANCES UNLESS OTHERWISE SPECIFIED		THIRD ANGLE PROJECTION ANSI 14.5M	
POLYETHYLENE ±1% @ 68° F		METAL DECIMAL ± .125" FRACTION ± 1/4" ANGLE ± 1°	

DRAWN / DATE	MATERIAL
DHJ 1/16/07	10538 2 MELT
APPRD. / DATE	
REH 4/18/07	
SHOT WEIGHT:	1700 LBS.
SHIPPING WEIGHT:	1702 LBS.
FINISH:	
NOTES:	1. WHITE, BLACK, OR YELLOW COLOR



Den Hartog

INDUSTRIES, INC.

Ace Roto-Mold Injection Molding Blow Molding Sowjoy
 4010 HOSPERS DRIVE S. BOX 425, HOSPERS, IOWA 51238-0425

DESCRIPTION		6900 GALLON 15° CONE BOTTOM TANK	
SCALE	N.S.	PART NO.	CB6900-122