

## MOTORPUMP™ — 3500 RPM 60 HERTZ, 2.00 X 1.25 FLG

D321JM14-18

DRAWING DEPICTS 14-18JM 5HP TEFC MOTOR

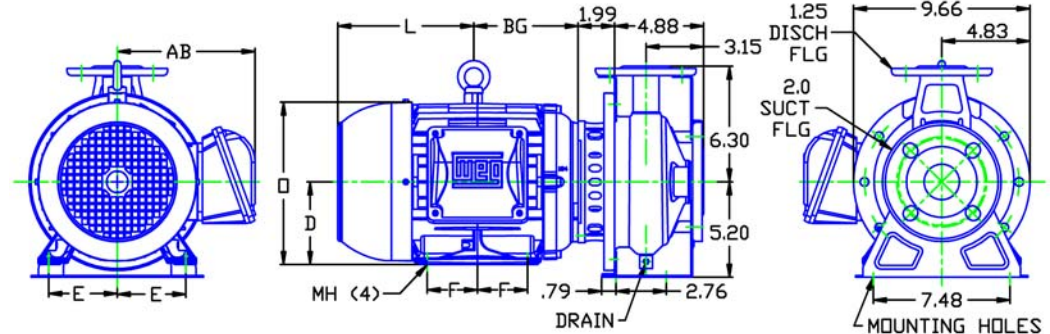
# 321

JM

### MOTOR DIMENSIONS

#### NEMA PREMIUM EFFICIENT JM FRAME 3 PHASE 3500 RPM

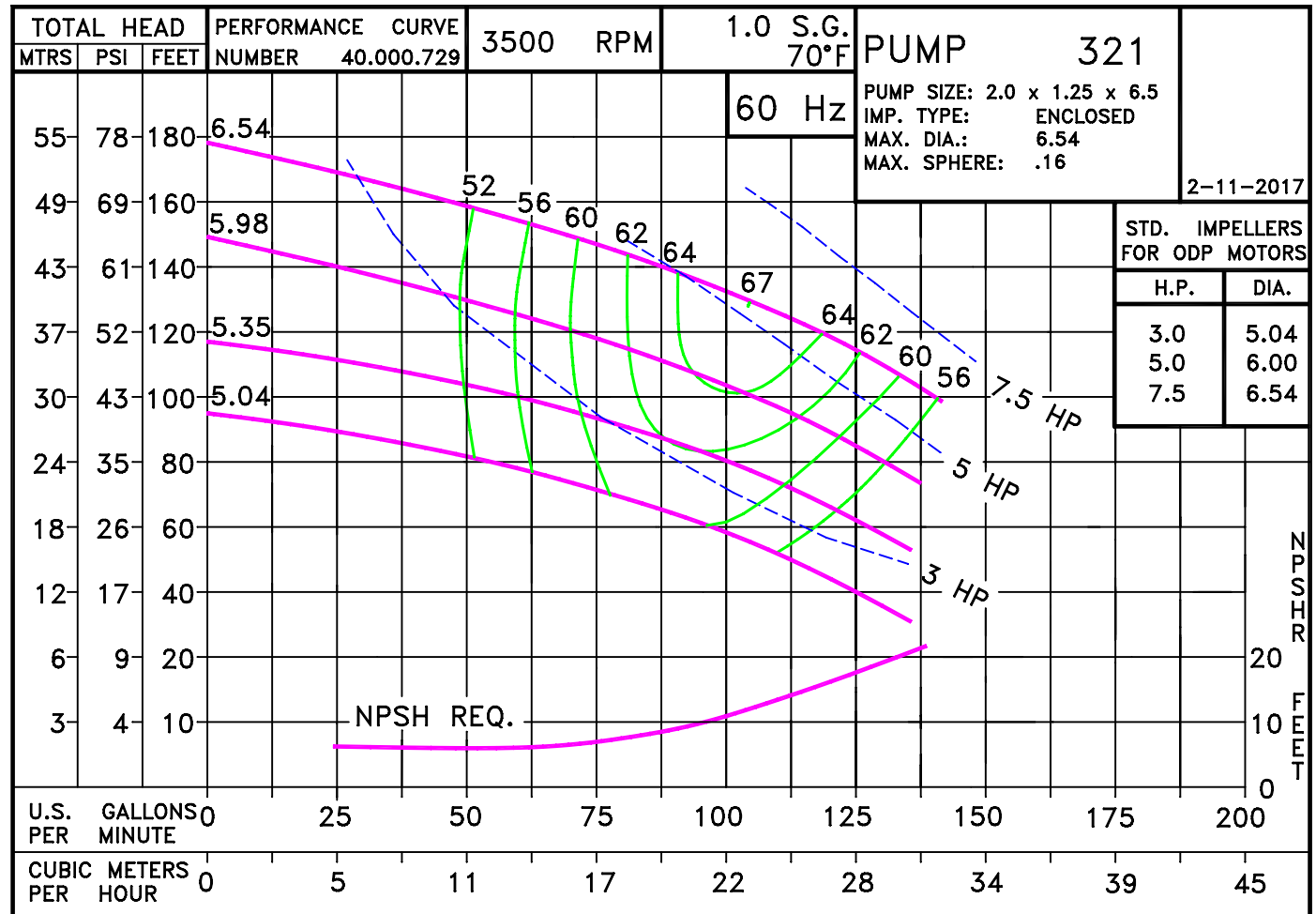
HP	Type	Frame	D	E	F	O	AB	BG	L	MH
3	ODP	JM145	3.50	2.75	2.50	6.77	5.61	5.38	4.12	0.34
5	ODP	JM182	4.50	3.75	2.25	8.44	6.74	5.75	5.12	0.41
7.5	ODP	JM184	4.50	3.75	2.25	8.44	6.74	5.75	6.56	0.41
3	TEFC	JM182	4.50	3.75	2.25	8.85	7.57	5.01	7.14	.41
5, 7.5	TEFC	JM184	4.50	3.75	2.75	8.85	7.57	5.51	7.64	.41



ALL DIMENSIONS IN INCHES.

DRAWING REPRESENTS APPROXIMATE PUMP DIMENSIONS. ATOCAD DRAWING TO SCALE AVAILABLE FROM FACTORY.

PUMP TO BE  
INSTALLED ONLY IN  
THE HORIZONTAL  
POSITION AS  
SHOWN.



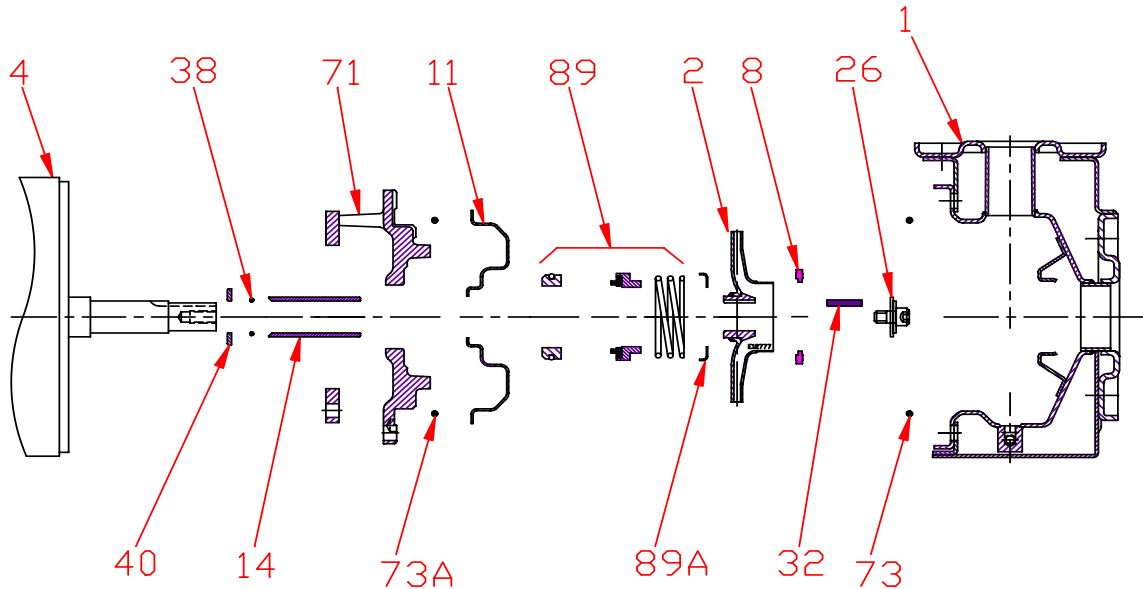
3215TE

D321JM182  
3213500

# 321 JM

3213500JM  
81.002.202 E17

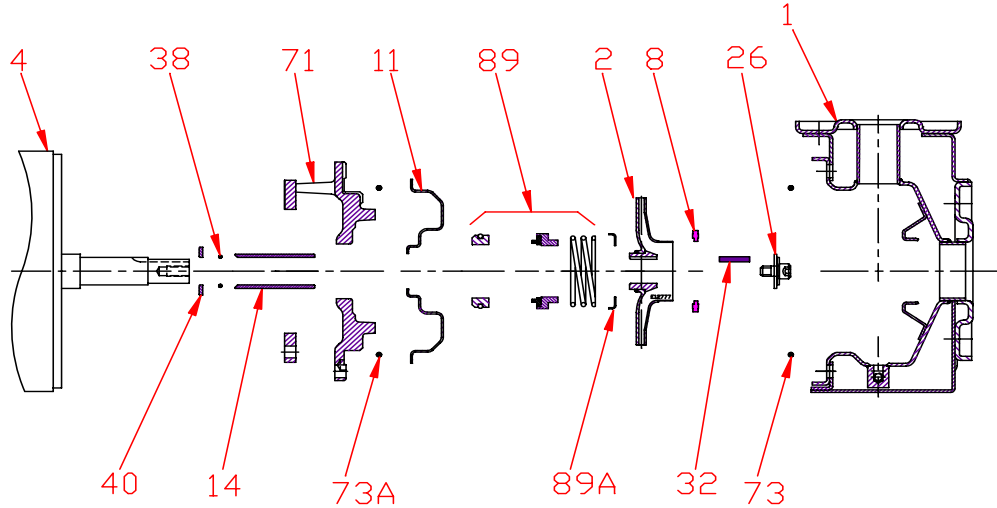
**Pump 321 • 304SS • JM Frame • 3500 RPM**



KEY NO.	PART NAME	PUMP 321
1	CASE, 304SS, 2.0 x 1.25, FLG	137.002.956
2	IMPELLER, STAINLESS, ENCLOSED, 7/8" KEYED:	
	6.54" DIA	137.002.915
	5.98" DIA	137.002.909
	5.35" DIA	137.002.962
4	5.04" DIA	137.002.961
	MOTOR, JM140/180	See Chart
8	RING	137.002.906
11	COVER, 304SS	137.002.911
14*	SHAFT SLEEVE, 304SS	137.002.912
26*	IMPELLER RETAINER, 304SS	118.000.111A
32*	KEY, 303SS	102.000.102
38*	O-RING, SHAFT, BUNA	116.000.117
40*	FLINGER, 304SS	104.000.165
71	ADAPTER, IRON	137.002.910
73*	GASKET, CASE, BUNA	137.002.913
73A*	GASKET, COVER, BUNA	137.003.012
89*	1-1/4" SEALS	
	TYPE 21, BN-CARB/CM	137.002.949
	TYPE 21, VN-CARB/CM	137.002.950
	TYPE 21, VN-CARB/SIL	137.002.952
	TYPE 21, VN-SIL/SIL	137.002.953
89A	TYPE 21, EPDM-CARB/SIL	137.002.951
	SEAL RETAINER, STAINLESS	137.002.948
--	REPAIR KITS:	
	BN-CARB/CM SEAL	118.000.674
	VN-CARB/CM SEAL	118.000.674A
	VN-CARB/SIL SEAL	118.000.674D
	VN-SIL/SIL SEAL	118.000.674B
	EPDM-CARB/SIL SEAL	118.000.674C

\* DENOTES COMPONENTS INCLUDED IN REPAIR KIT.

**Pump 321 • 304SS • JM Frame • 3500 RPM**



CONSTRUCTION OPTIONS		
KEY	PART NAME	STANDARD FITTED
1	Case	304SS
2	Impeller	304SS
8	Impeller Ring	POLYPHENYLENE OXIDE 20% GLASS
11	Cover	304SS
14	Sleeve	304SS
26	Retainer Assembly	304SS
32	Key	303SS
38	O-ring, Shaft	BUNA
40	Flinger	304SS
71	Motor Disc	Cast Iron
73	Gasket, Case	Buna
73A	Gasket, Cover	Buna
89	Seal Assembly	BN-CARB/CM
89A	Seal Retainer	304SS

E320JM

B18

C3213500JM